

7. Parts catalog

Previous



Next



Go Back

How to use this parts catalog

The following legend is used in the parts catalog:

Asm-index	Part number	Units/mach - OR - Units/option	Units/ FRU	Description
-----------	-------------	--------------------------------------	---------------	-------------

- **Asm-index:** Identifies the assembly and the item in the diagram. For example, 3-1 indicates Assembly 3 and item number 1 in the table.
- **Part number:** Refers to the unique number that identifies the FRU.
- **Units/mach:** Refers to the number of units actually used in the base machine or product.
- **Units/option:** Refers to the number of units in a particular option. It does not include the rest of the base machine.
- **Units/FRU:** Refers to the number of units packaged together and identified by the part number.
- **NS:** (Not shown) in the Asm-Index column indicates that the part is procurable but is not pictured in the illustration.
- **PP:** (Parts Packet) in the parts description column indicates the part is contained in a parts packet.
- Model information used in the parts catalog:

Model name	Machine type and model	Description
Lexmark X950de	7558-036	Network/Duplex A3 Color printhead LED MFP, Duplex Scanner, w/Fax
Lexmark X952dte	7558-236	Network/Duplex A3 Color printhead LED MFP, Duplex Scanner, w/Fax, Extra Trays
Lexmark X954dhe	7558-436	Network/Duplex A3 Color printhead LED MFP, Duplex Scanner, w/Fax, w/Hard drive

Assembly 1: Scanner covers

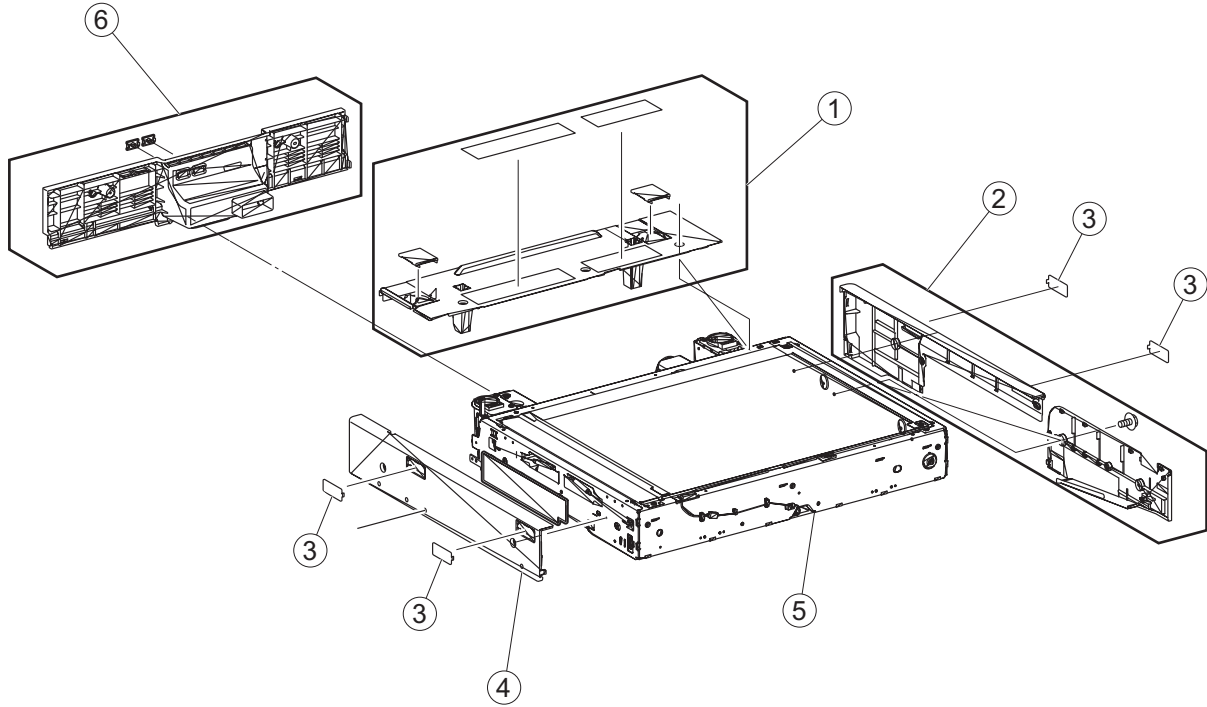
Previous



Next

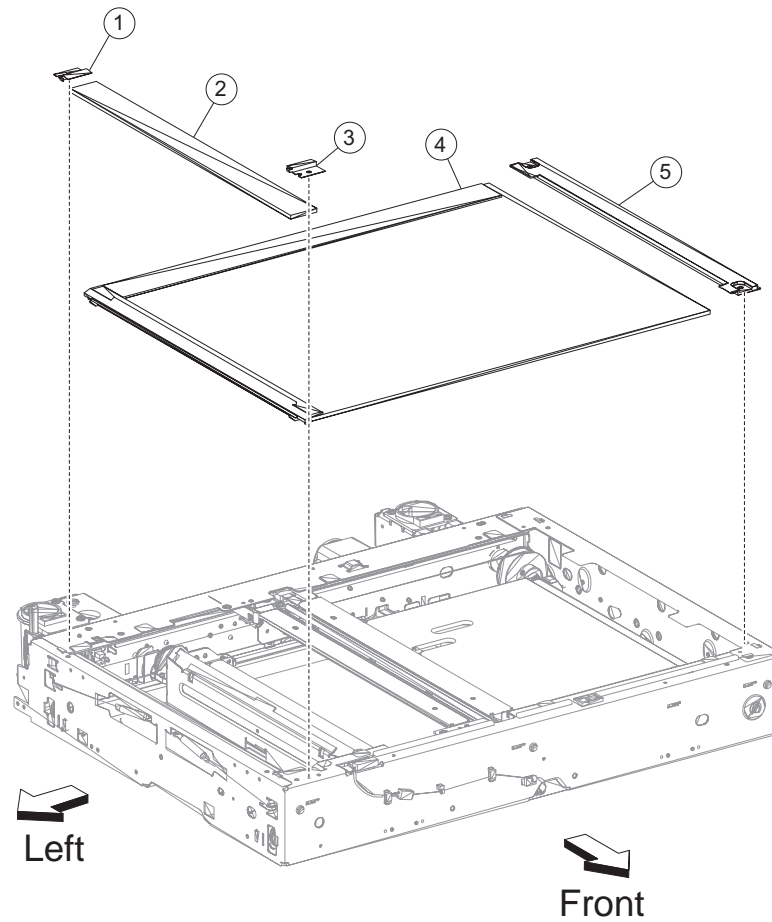


Go Back



Asm-index	Part number	Units/mach	Units/FRU	Description
1-1	40X6551	1	1	Scanner top cover
2	40X6550	1	1	Scanner right cover
3	40X6553	4	1	Scanner blind cover
4	40X6092	1	1	Scanner left cover
5	40X6554	1	1	Flatbed scanner assembly
6	40X6552	1	1	Scanner rear cover
NS	40X7461			Rubber screw caps

Assembly 2: Platen glass



Previous



Next



Go Back

Asm-index	Part number	Units/mach	Units/FRU	Description
2-1	40X6711	1	1	Small platen rear retainer
2	40X2214	1	1	Small platen glass
3	40X6727	1	1	Small platen front retainer
4	40X6577	1	1	Large platen glass
5	40X6592	1	1	Large platen retainer

Assembly 3: CCD assembly

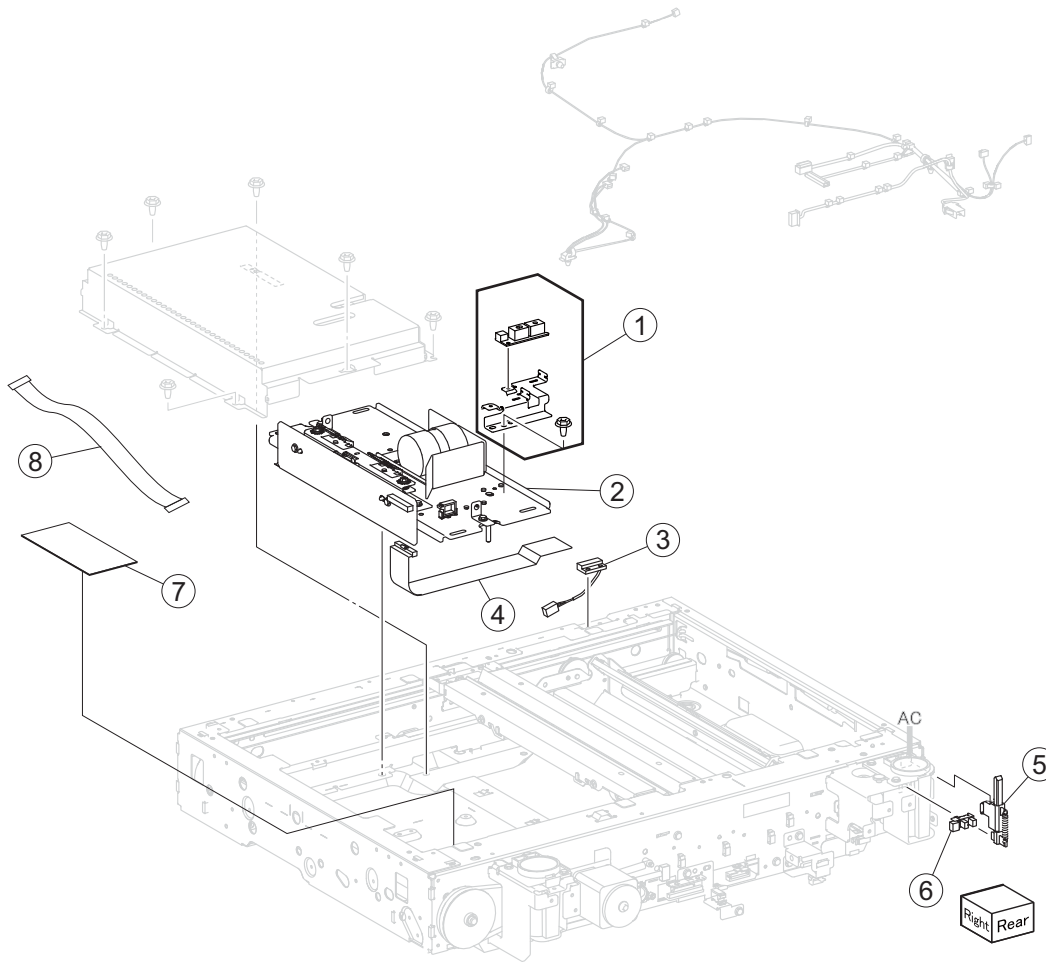
Previous



Next



Go Back



Asm-index	Part number	Units/mach	Units/FRU	Description
3-1	40X6555	2	1	Sensor (FB platen length) assembly
2	40X6556	1	1	FB CCD sensor assembly
3	40X6768	1	1	Sensor (ADF closed interlock)
4	40X6557	1	1	Rear scanner ribbon cable
5	40X6558	1	1	ADF angle actuator
6	40X2223	1	1	Sensor (ADF angle)
7	40X6564	1	1	Authentication PCBA
8	40X7531	1	1	Front scanner ribbon cable

Assembly 4: Carriage drive

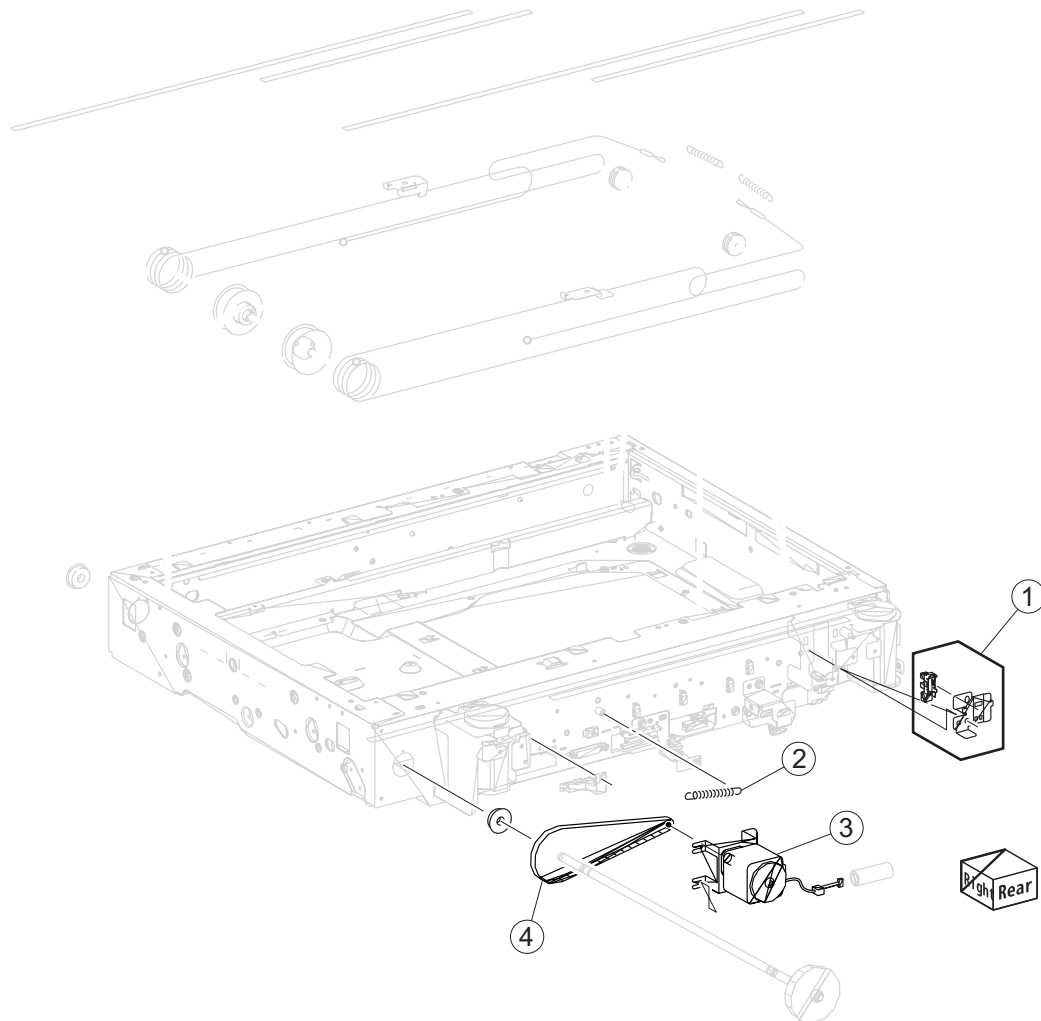
Previous



Next



Go Back



Asm-index	Part number	Units/mach	Units/FRU	Description
4-1	40X6560	1	1	Sensor (FB scanner HP)
2	40X6559	1	1	Spring
3	40X3868	1	1	Scanner carriage motor
4	40X2226	1	1	Scanner drive belt

Assembly 5: Scanner optics

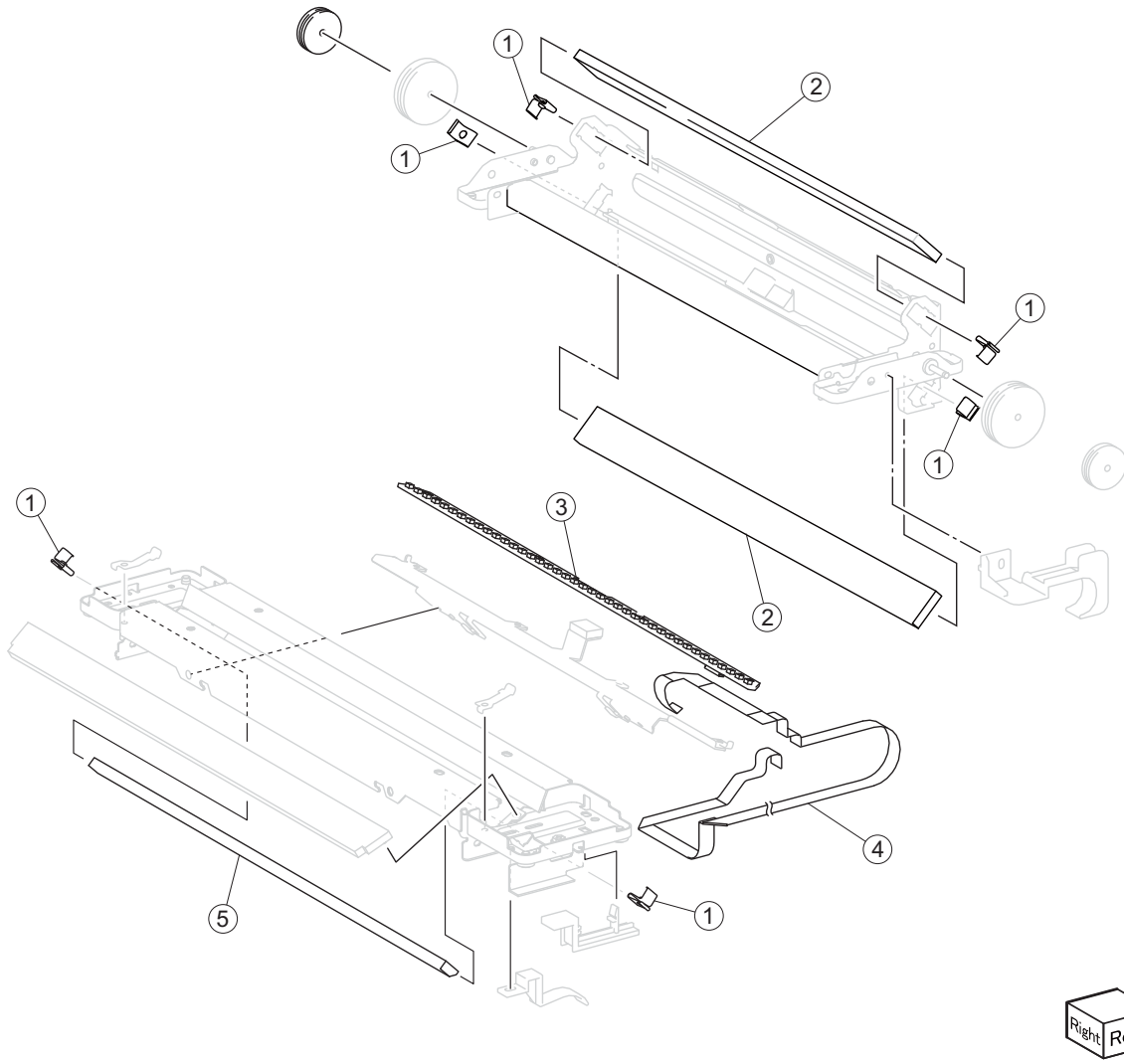
Previous



Next



Go Back



Asm-index	Part number	Units/mach	Units/FRU	Description
5-1	40X6561	6	1	Mirror retainer clip
2	40X2232	2	1	Number 2/3 mirror
3	40X6563	1	1	LED exposure bar
4	40X6562	1	1	Exposure lamp flat cable
5	40X2234	1	1	Number 1 mirror

Assembly 6: Scanner controller board

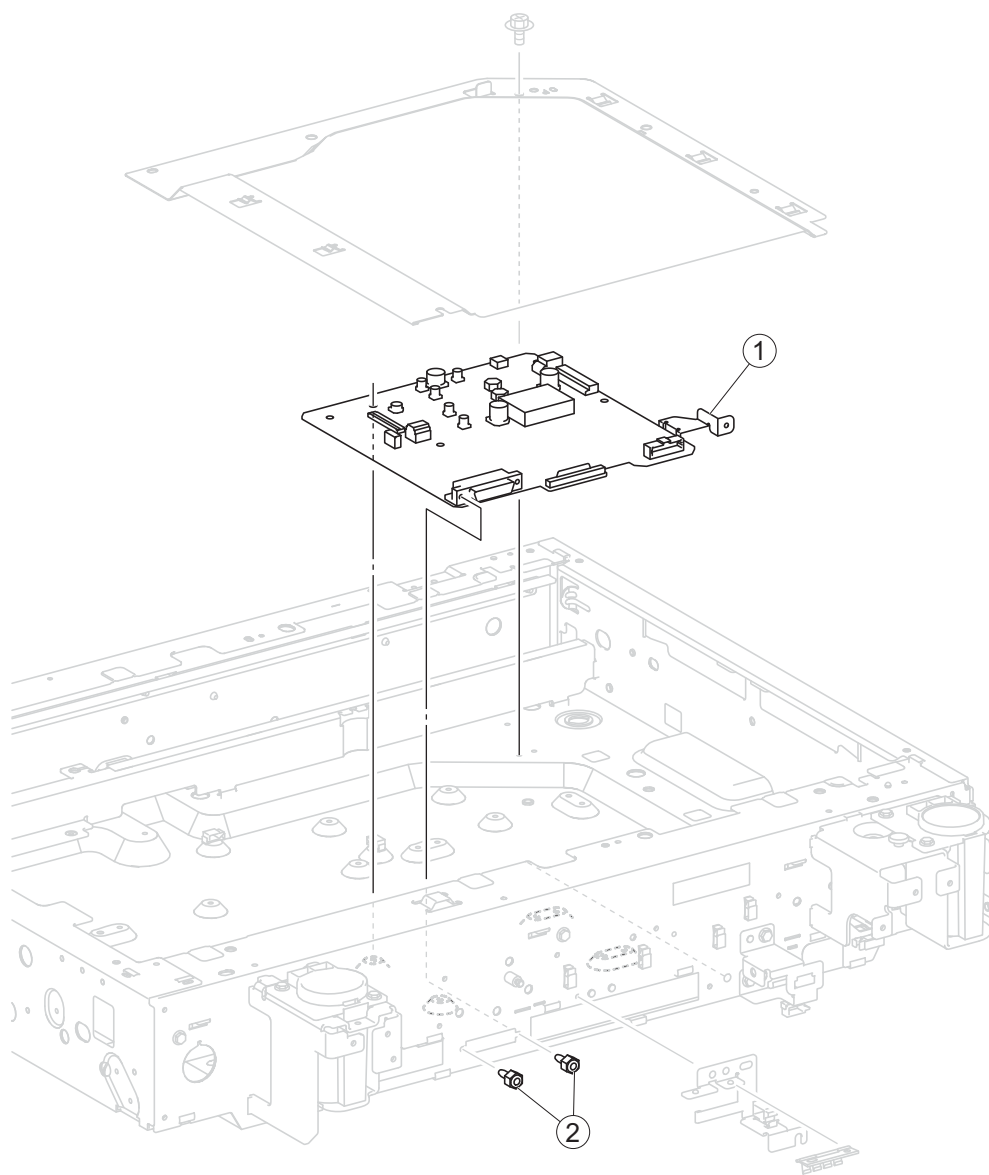
Previous



Next



Go Back



Asm-index	Part number	Units/mach	Units/FRU	Description
6-1	40X7559	1	1	Scanner controller PCBA
2	40X2217	2	1	Screw

Assembly 7: Operator panel covers (MFP) 1

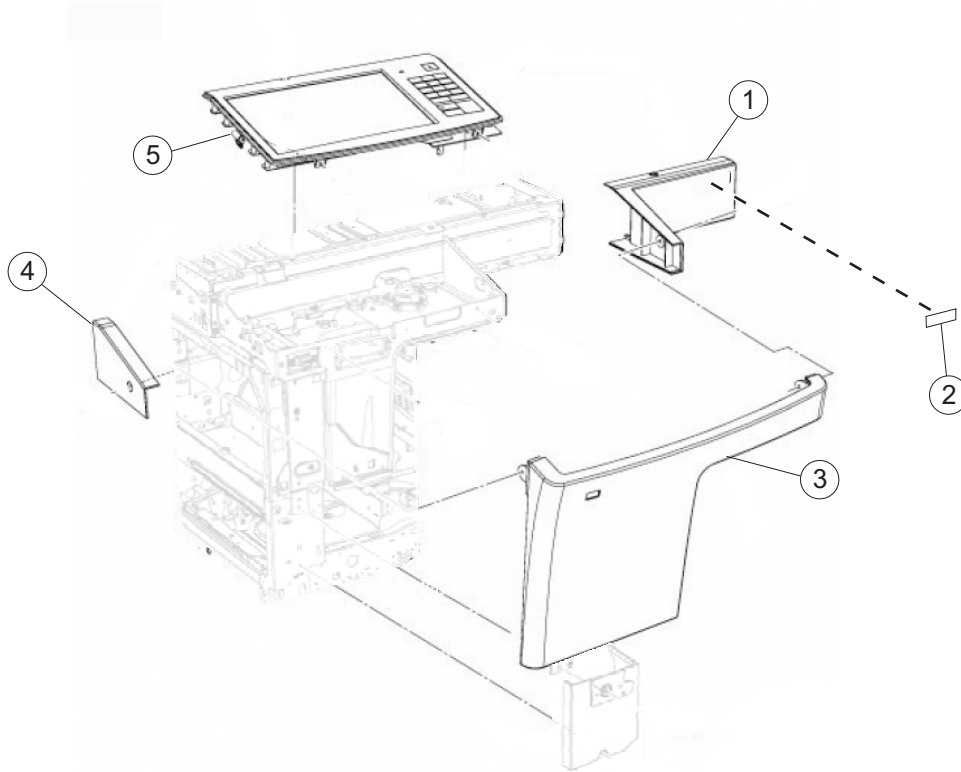
Previous



Next



Go Back



Asm-index	Part number	Units/mach	Units/FRU	Description
7-1	40X6989	1	1	Operator panel right cover (MFP)
2	40X6985	1	1	X950 model bezel
2	40X7900	1	1	X952 model bezel
2	40X7064	1	1	X954 model bezel
3	40X6987	1	1	Operator panel front cover (MFP)
3	40X7458	1	1	Operator panel front cover with slot (MFP)
4	40X6988	1	1	Operator panel left cover (MFP)
5	40X6986	1	1	Operator panel (MFP)

Assembly 8: Operator panel covers (MFP) 2

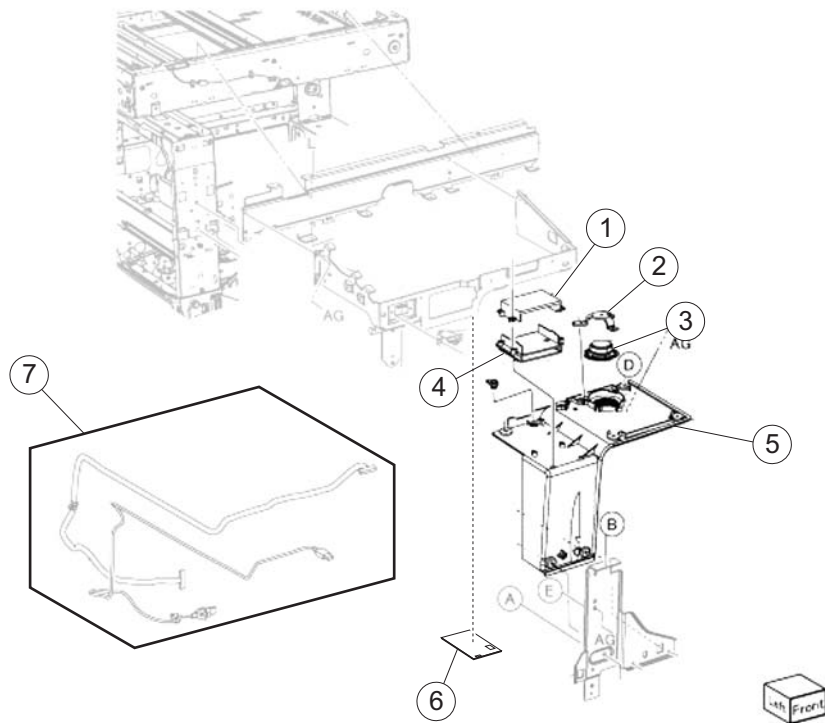
Previous



Next

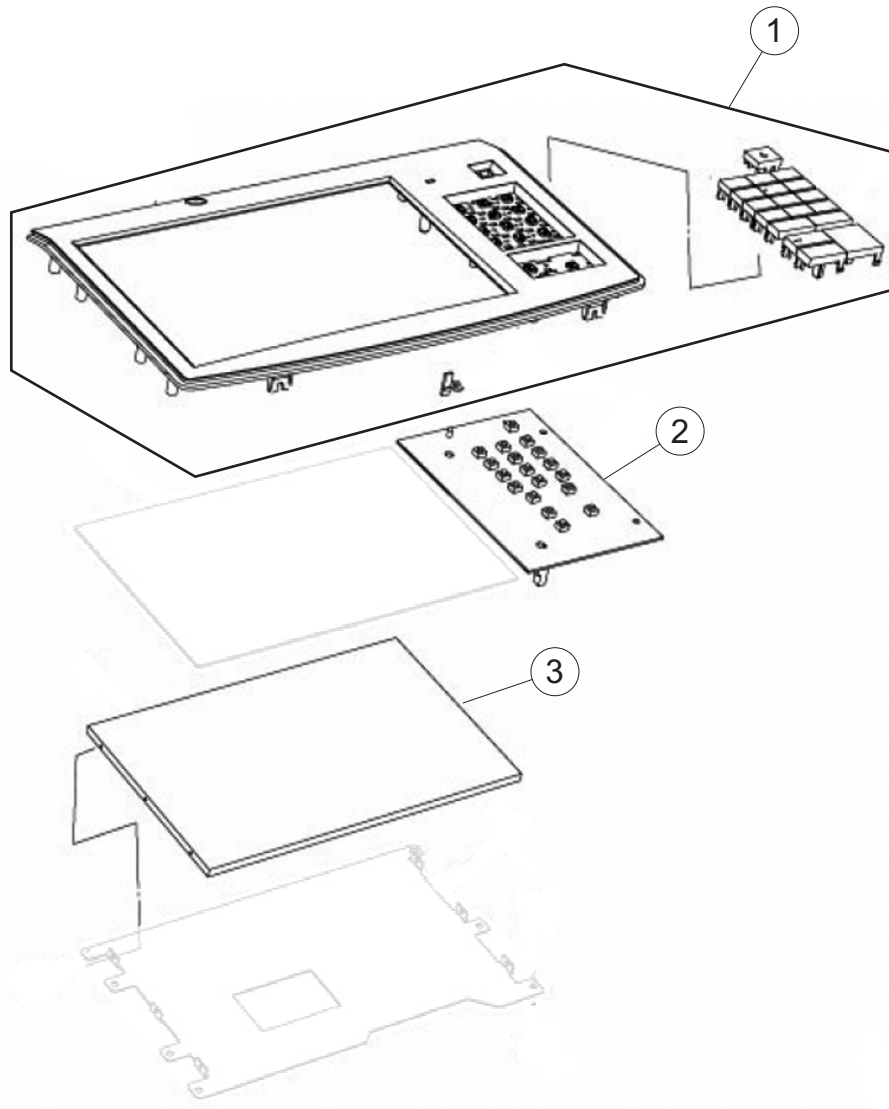


Go Back



Asm-index	Part number	Units/mach	Units/FRU	Description
8-1	40X7099	1	1	Smart card cover (MFP)
2	40X7463	1	1	Speaker holder
3	40X6993	1	1	Operator panel speaker
4	40X7098	1	1	Smart card housing (MFP)
5	40X7097	1	1	Operator panel housing (MFP)
6	40X4602			Card reader assembly (3121 contact)
6	40X4603			Card reader assembly (5121 contact/RFID)
6	40X4604			Card reader assembly (5125 contact/HID)
7	40X7331	1	5	MFP operator panel cable kit includes: <ul style="list-style-type: none"> • Cable (USB to UICC) • Cable (RIP PCBA to UICC) • Cable (card reader to UICC) • Cable (display to UICC)

Assembly 9: Operator panel (MFP)



Previous



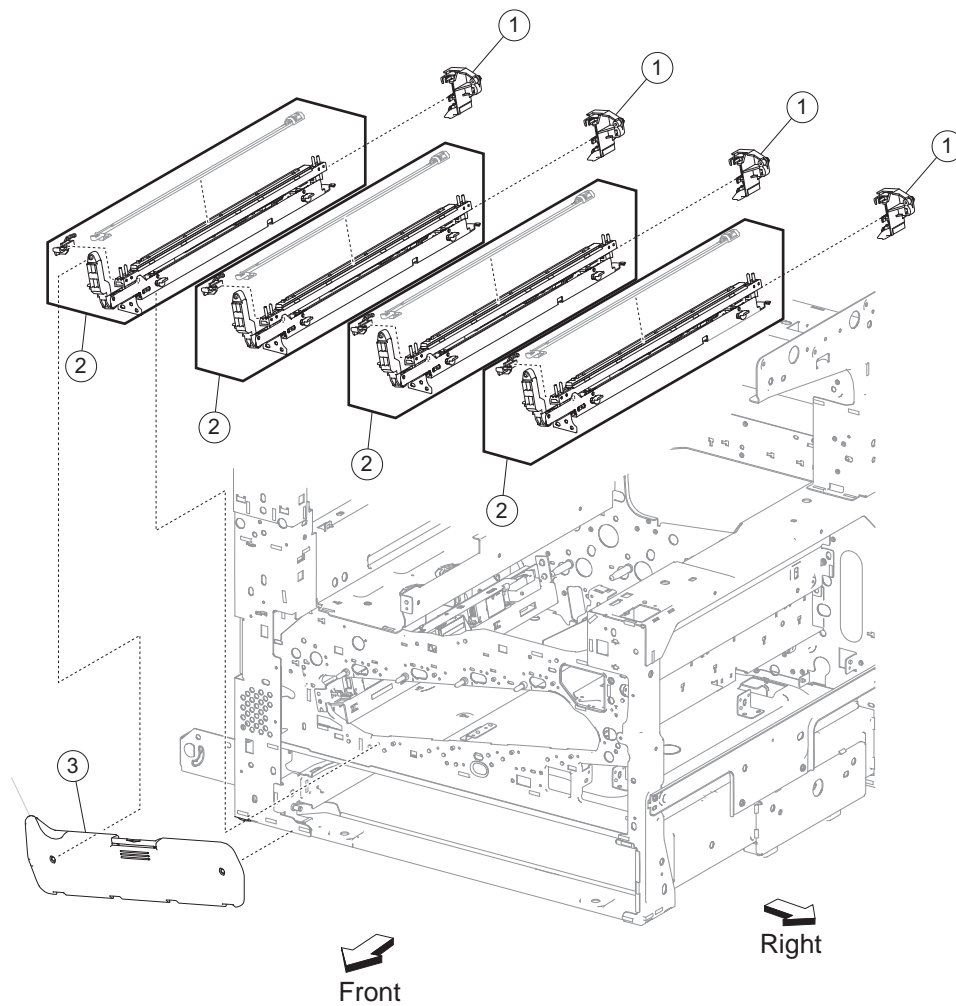
Next



Go Back

Asm-index	Part number	Units/mach	Units/FRU	Description
9-1	40X6999	1	1	Operator panel top cover (MFP)
2	40X6973	1	1	MFP Operator panel PCBA
3	40X6307	1	1	MFP touch screen PCBA

Assembly 10: Printhead 1



Previous



Next



Go Back

Asm-index	Part number	Units/mach	Units/FRU	Description
10-1	40X6565	4	1	Printhead rear block
2	40X6566	4	1	LED printhead
3	40X6567	1	1	Printhead retract door

Assembly 11: Printhead 2

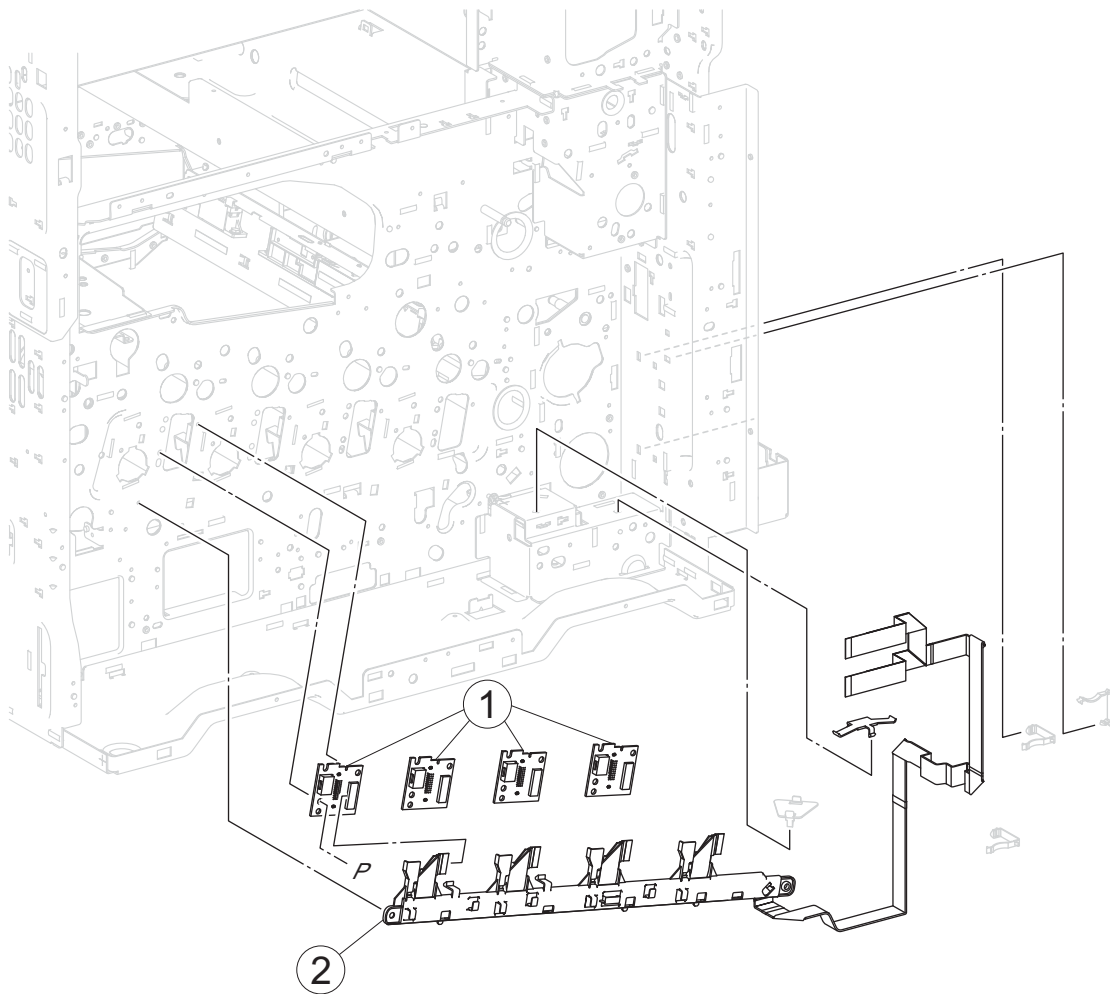
Previous



Next

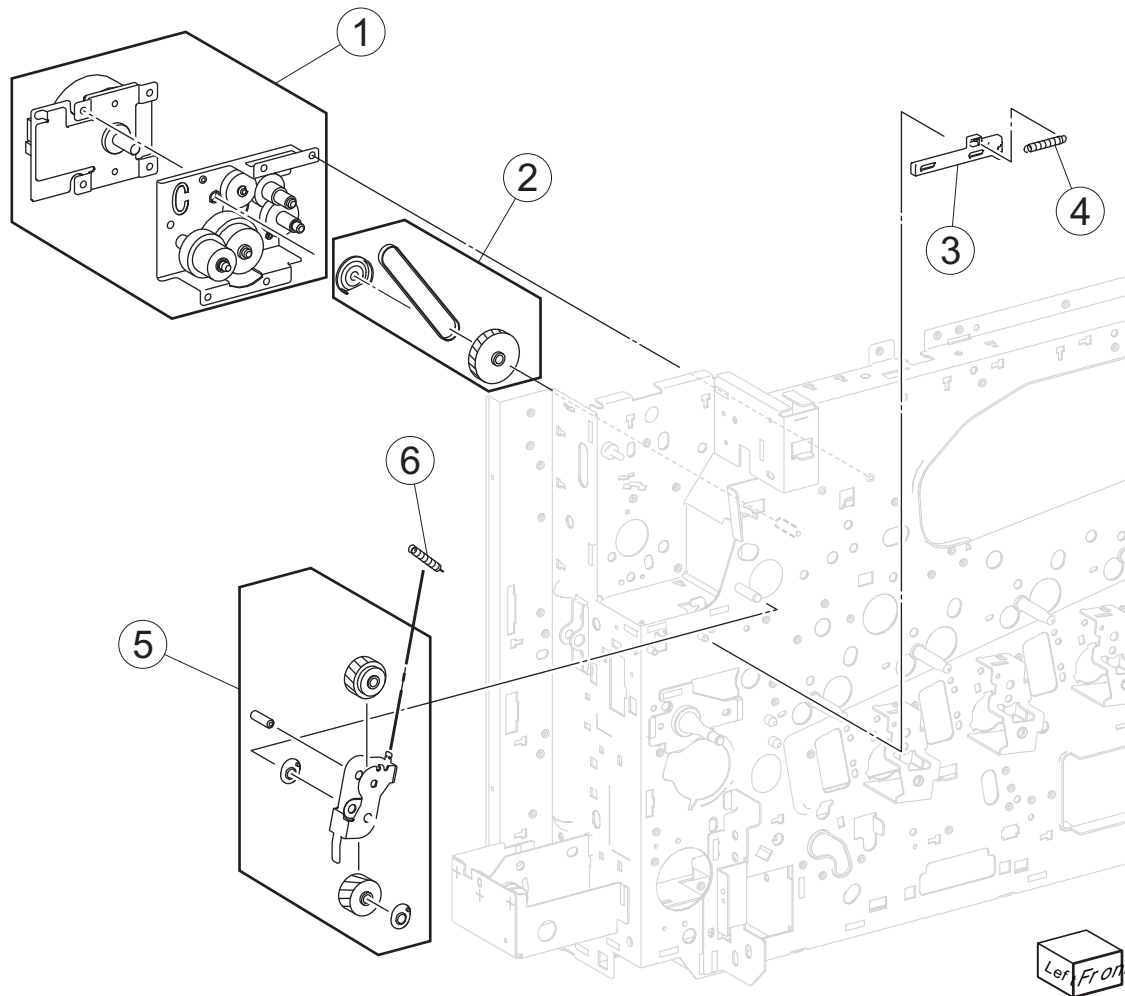


Go Back



Asm-index	Part number	Units/mach	Units/FRU	Description
11-1	40X6569	4	1	Printhead interface contact
2	40X6568	1	1	Printhead flat data cable

Assembly 12: Drive 1



Previous



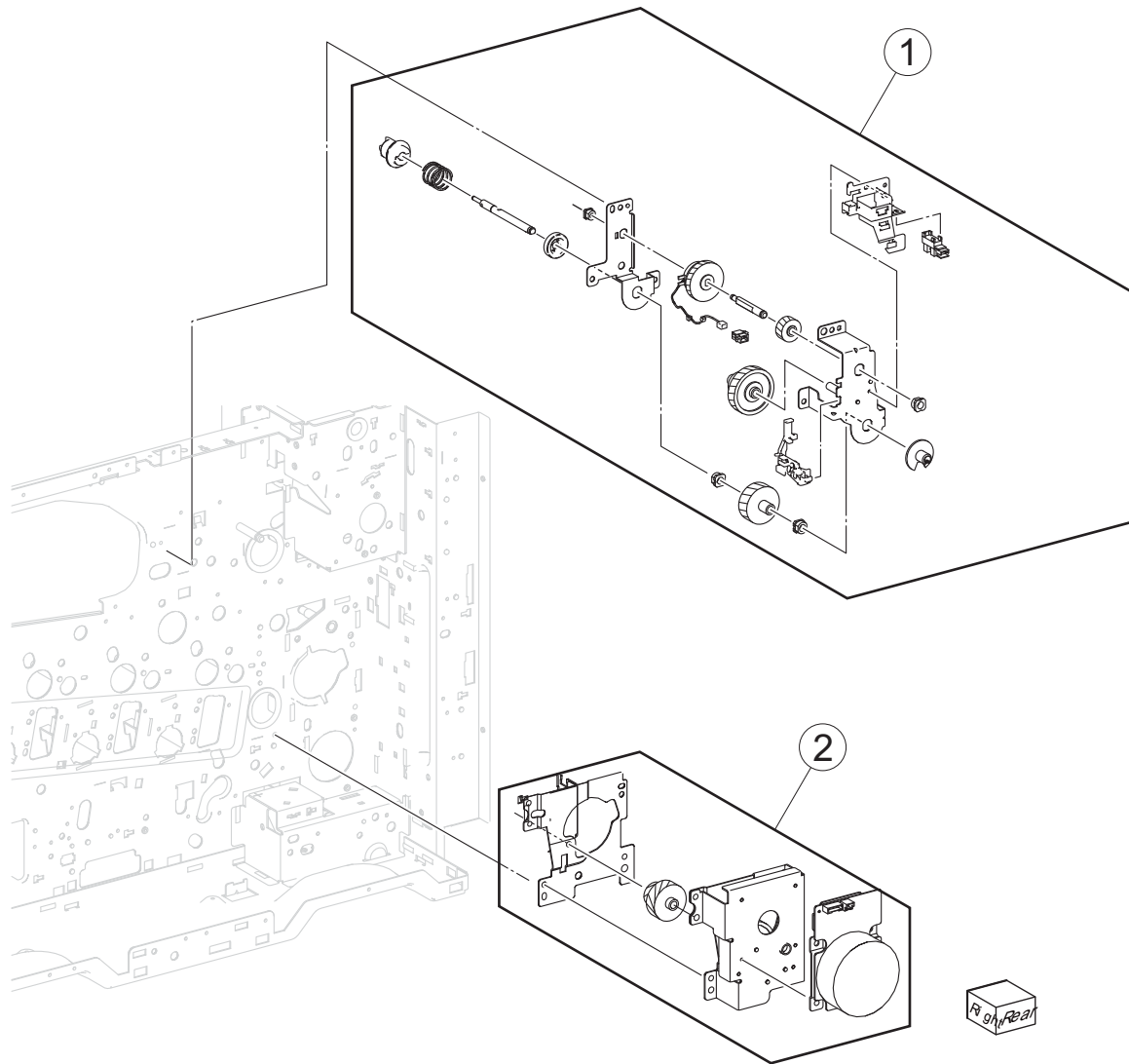
Next



Go Back

Asm-index	Part number	Units/mach	Units/FRU	Description
12-1	40X6574	1	1	Fuser drive/lower redrive/1st BTR retract motor
2	40X6575	1	1	Gear 40T/23T & belt
3	40X6572	1	1	Fuser drive release link
4	40X6573	1	1	Fuser release link spring
5	40X6570	1	1	Fuser drive release bracket
6	40X6571	1	1	Spring

Assembly 13: Drive 2



Previous



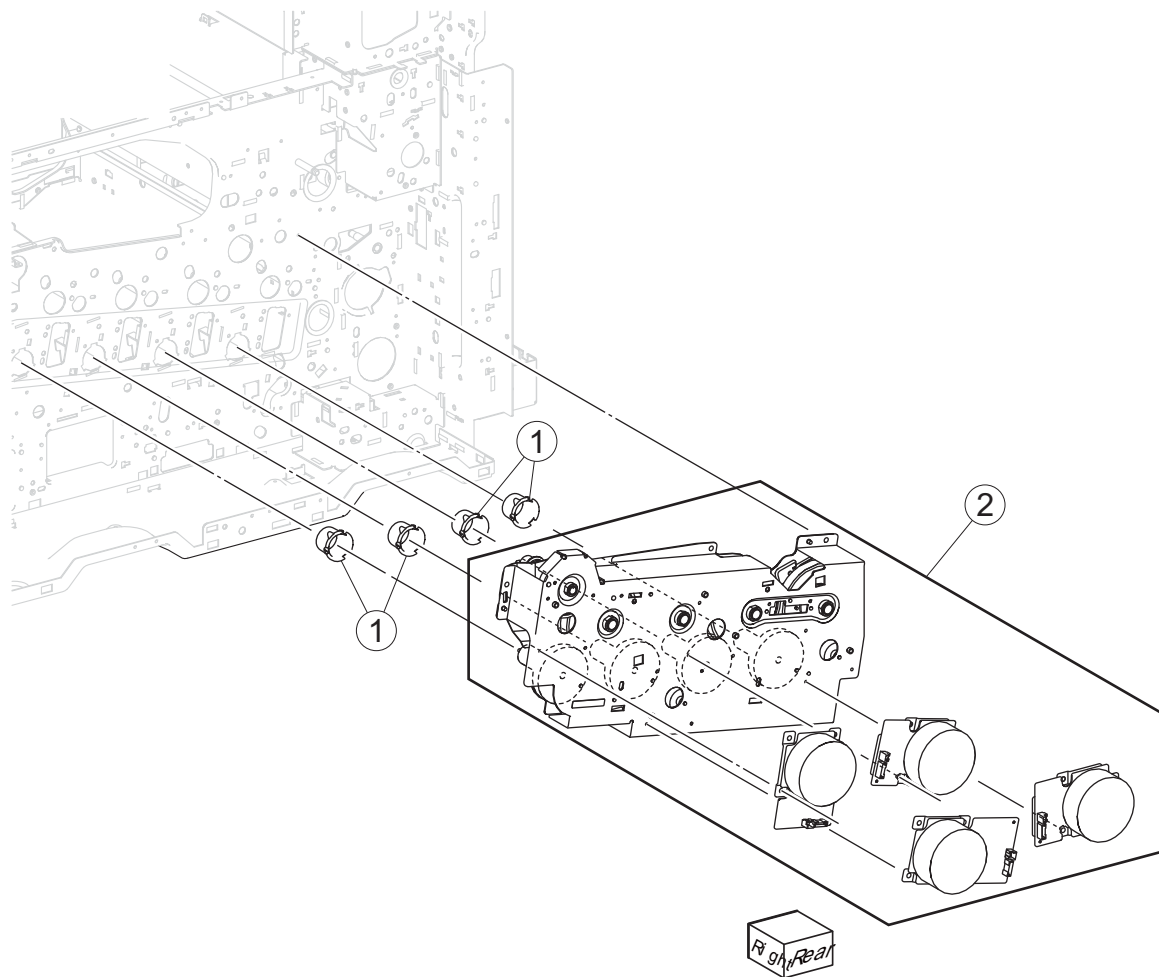
Next



Go Back

Asm-index	Part number	Units/mach	Units/FRU	Description
13-1	40X6584	1	1	1st transfer retract clutch assembly
2	40X6585	1	1	Registration drive motor

Assembly 14: Drive 3



Previous



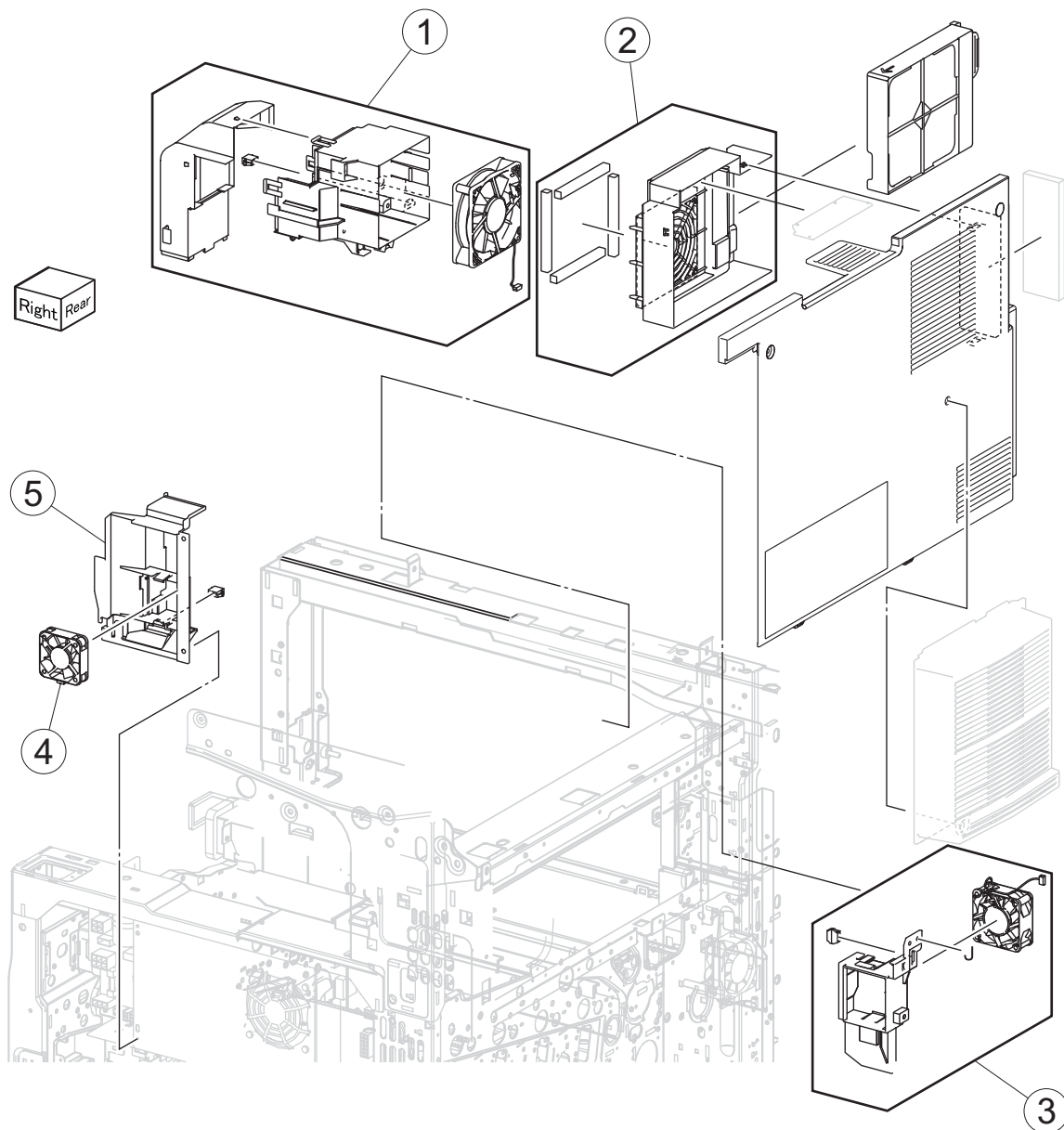
Next



Go Back

Asm-index	Part number	Units/mach	Units/FRU	Description
14-1	40X6587	4	1	Coupler
2	40X6586	1	1	PC/developer drive motor assembly

Assembly 15: Cooling fans 1



Previous



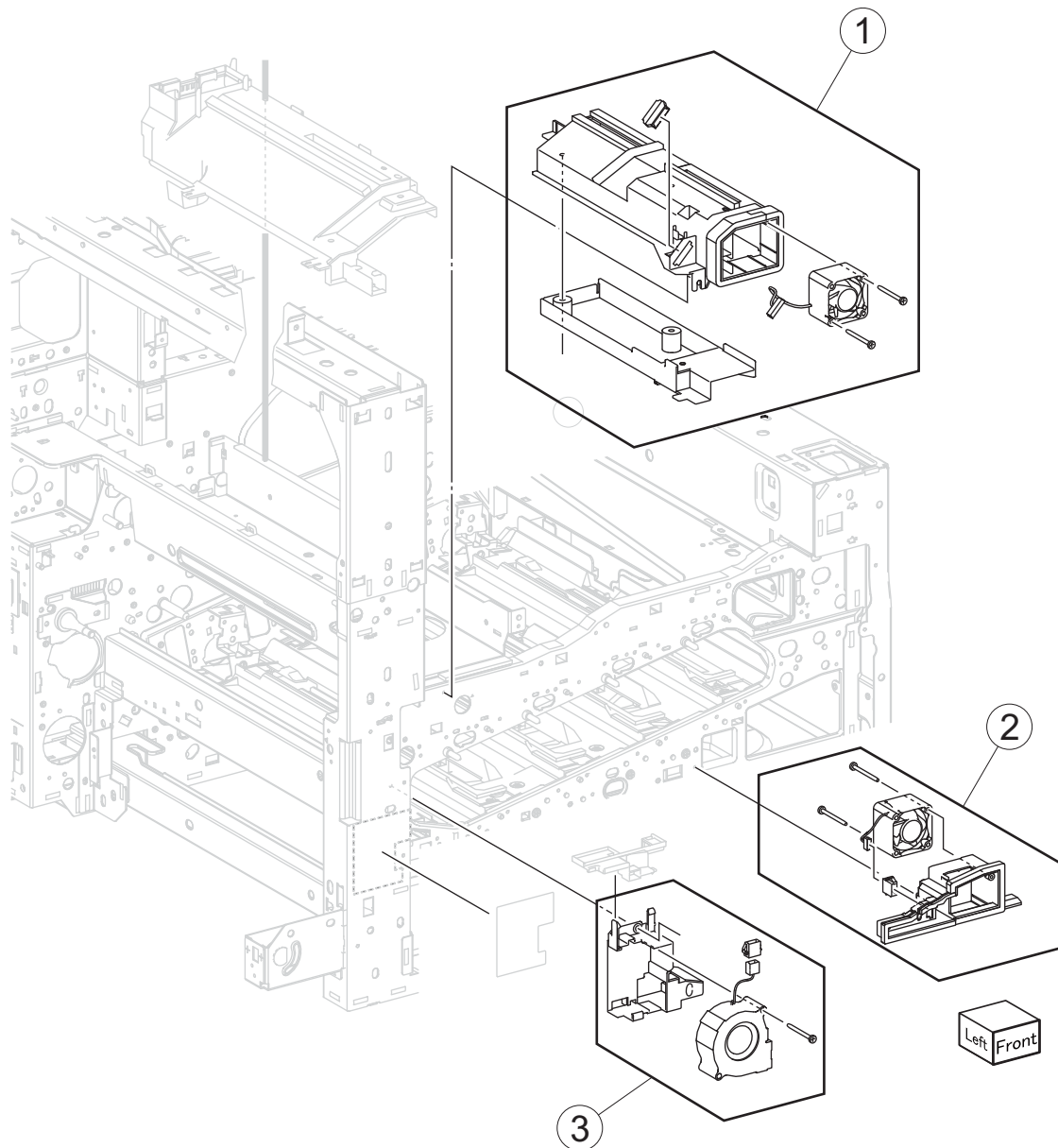
Next



Go Back

Asm-index	Part number	Units/mach	Units/FRU	Description
15-1	40X6588	1	1	Fuser cooling fan
2	40X6590	1	1	Fuser fan duct
3	40X6591	1	1	Fuser driver PCBA cooling fan
4	40X6589	1	1	LVPS sub cooling fan
5	40X6770	1	1	LVPS sub cooling duct

Assembly 16: Cooling fans 2



Asm-index	Part number	Units/mach	Units/FRU	Description
16-1	40X6593	1	1	Front upper cooling fan
2	40X6595	1	1	Front right cooling fan
3	40X6594	1	1	Front left cooling fan

Assembly 17: Cooling fans 3

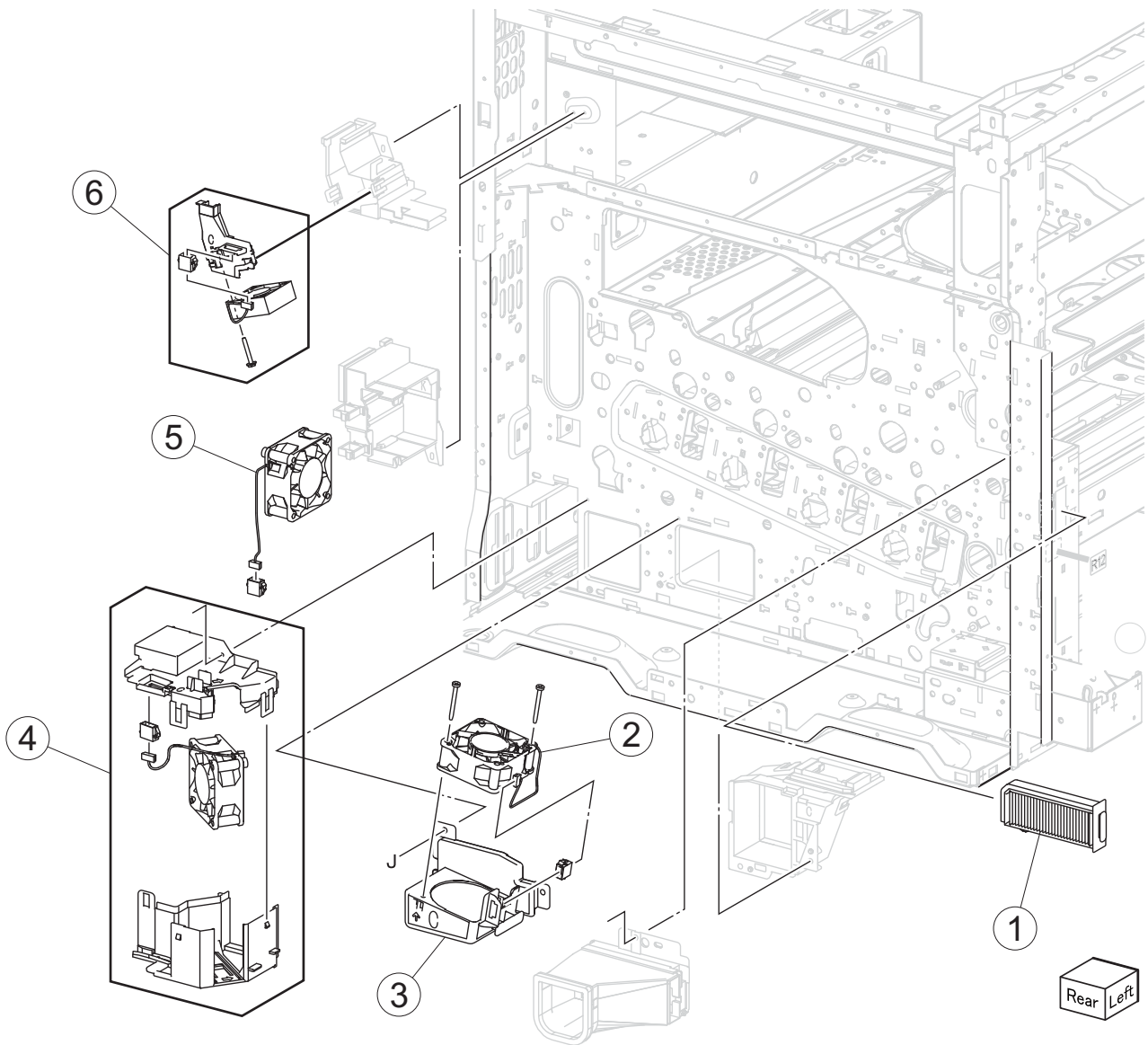
Previous



Next

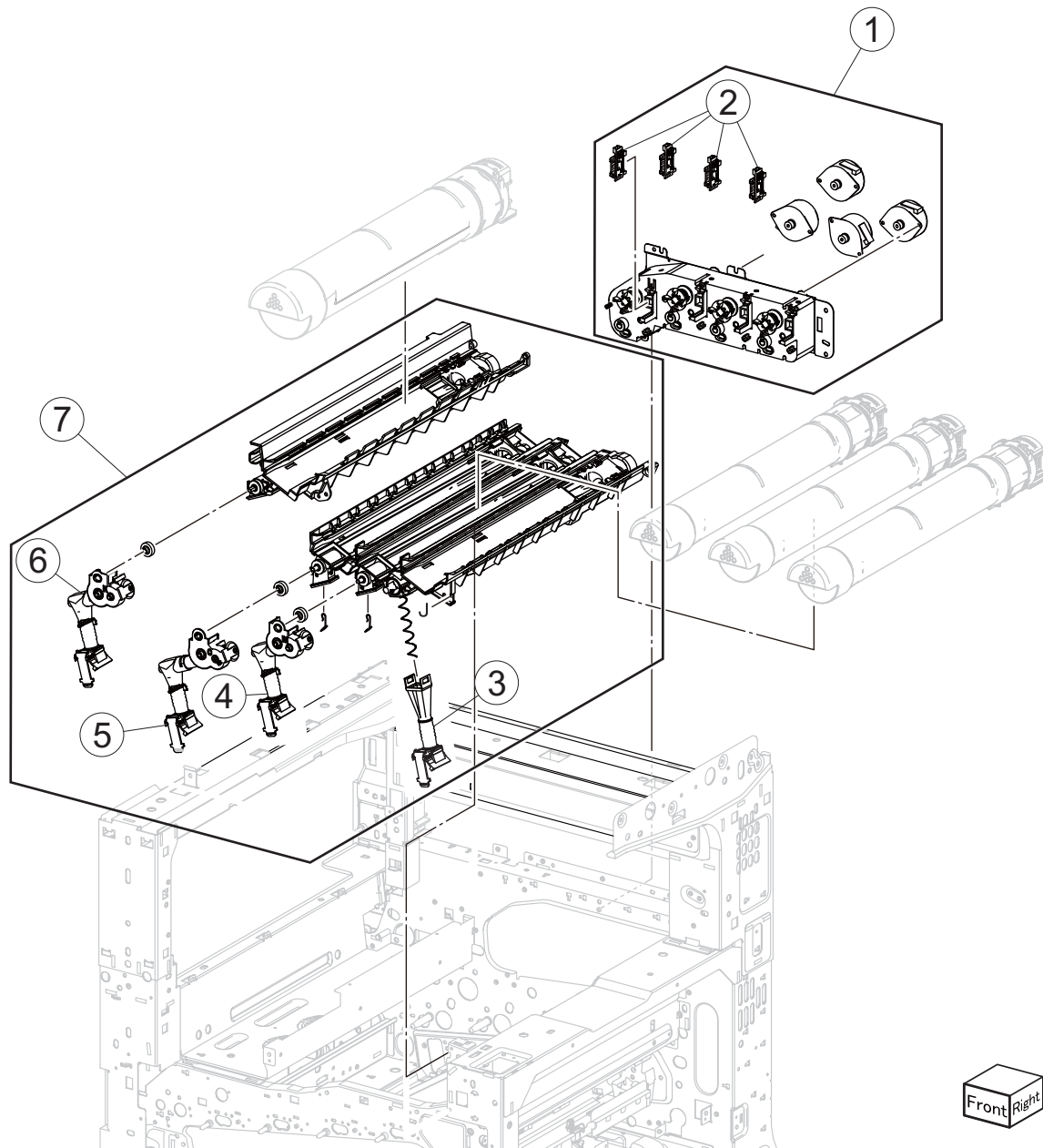


Go Back



Asm-index	Part number	Units/mach	Units/FRU	Description
17-1	40X6599	1	1	Suction filter
2	40X6596	1	1	PC/developer drive motor cooling fan
3	40X6771	1	1	Rear center duct
4	40X6597	1	1	Charge roll HVPS cooling fan
5	40X6598	1	1	Upper exhaust fan
6	40X6600	1	1	Center exhaust fan

Assembly 18: Developer 1



Previous



Next



Go Back

Asm-index	Part number	Units/mach	Units/FRU	Description
18-1	40X6601	1	1	Toner dispense motor
2	40X6602	4	1	Toner smart chip PCB
3	40X6606	1	1	K toner drop auger
4	40X6605	1	1	C toner drop auger
5	40X6604	1	1	M toner drop auger
6	40X6603	1	1	Y toner drop auger
7	40X6607	1	1	CMYK toner dispense auger assembly

Assembly 19: Developer 2

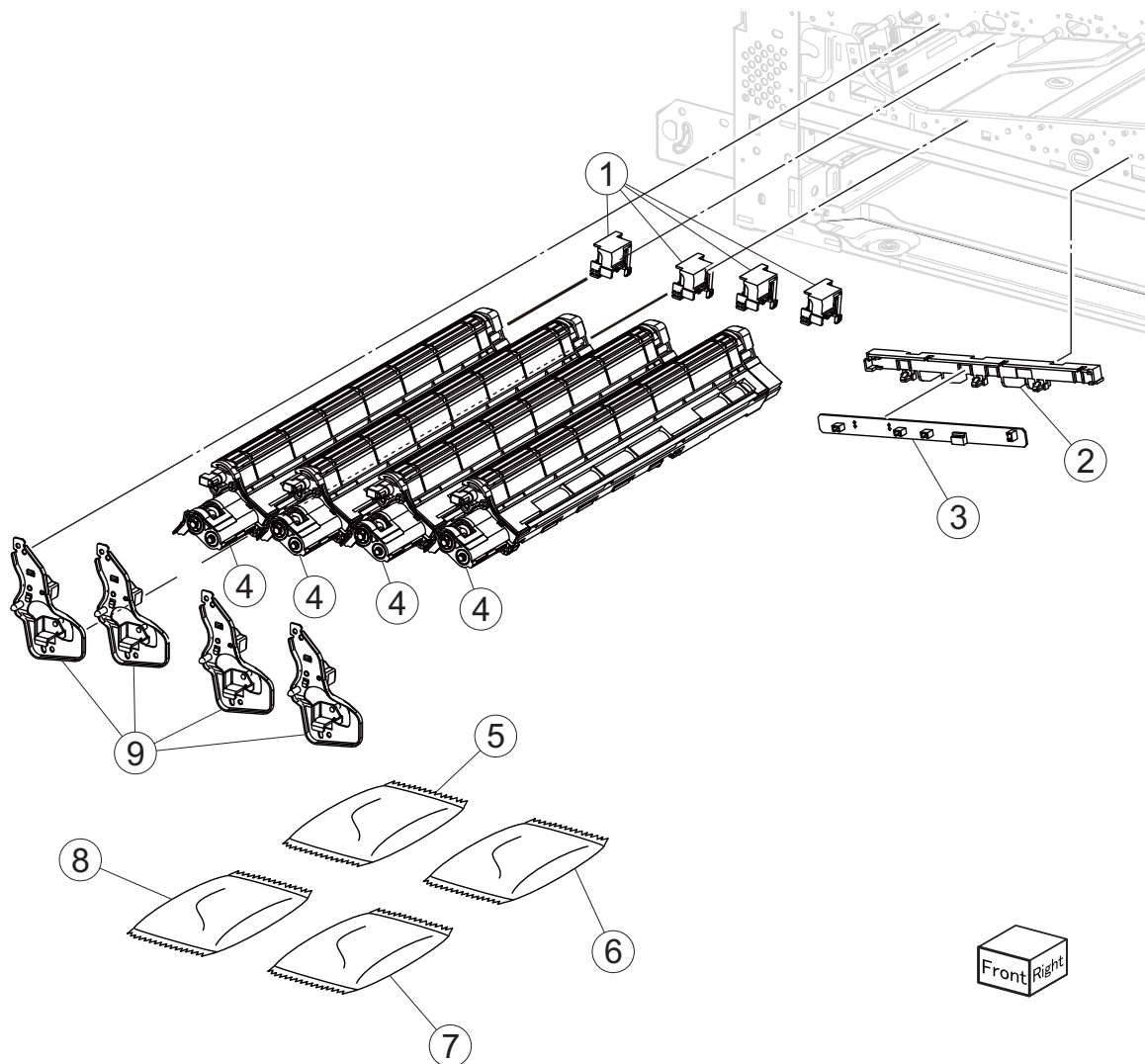
Previous



Next

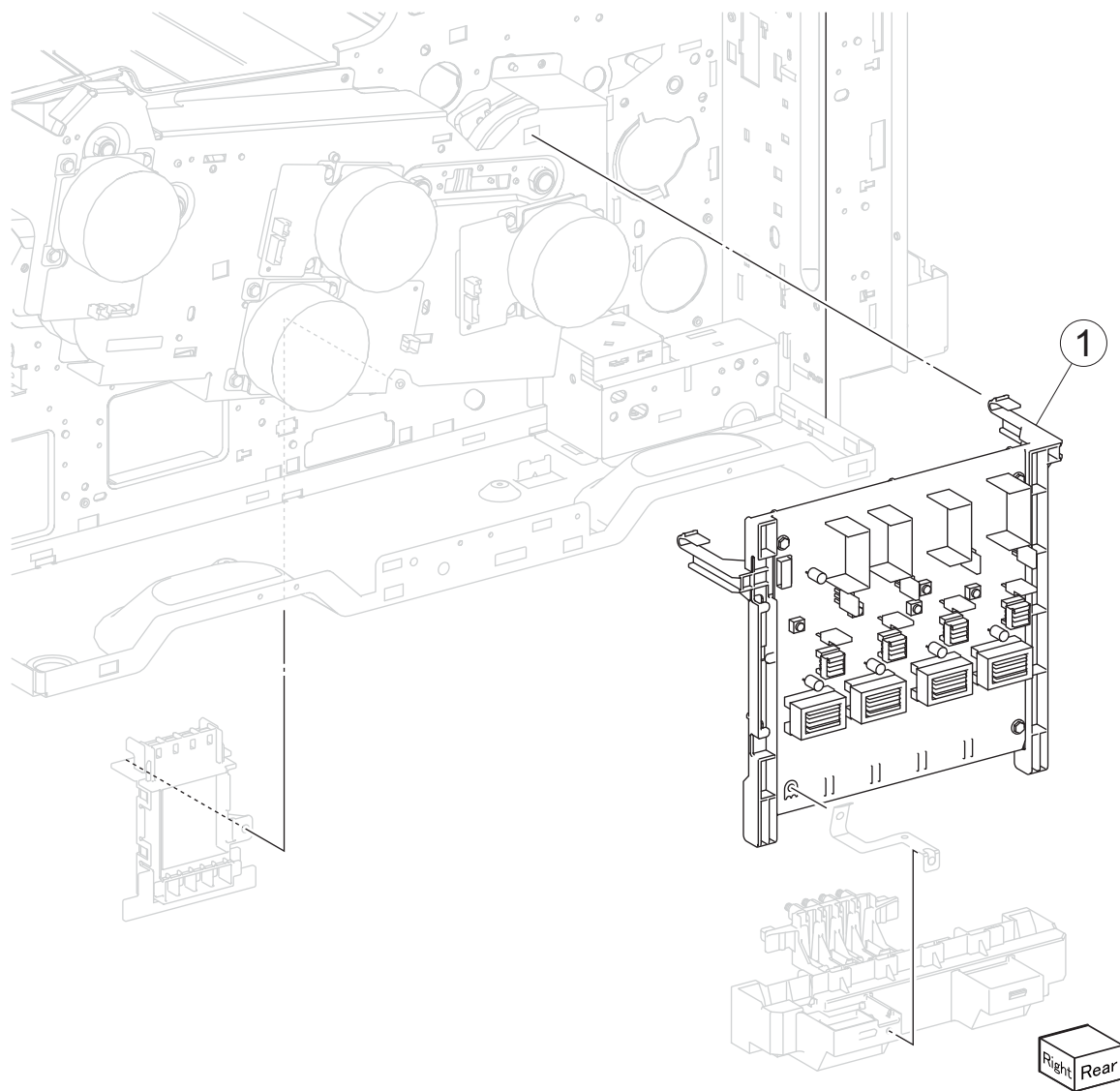


Go Back



Asm-index	Part number	Units/mach	Units/FRU	Description
19-1	40X7332	4	1	Developer housing rear plunger
2	40X6614	1	1	ATC sensor PCB bracket
3	40X6613	1	1	ATC sensor PCB
4	40X6615	1	1	Developer housing
5	40X6609	1	1	K developer carrier
6	40X6610	1	1	C developer carrier
7	40X6612	1	1	Y developer carrier
8	40X6611	1	1	M developer carrier
9	40X6608	4	1	Developer bracket

Assembly 20: HVPS



Previous



Next



Go Back

Asm-index	Part number	Units/mach	Units/FRU	Description
20-1	40X6619	1	1	Developer HVPS PCBA

Assembly 21: Transfer belt 1

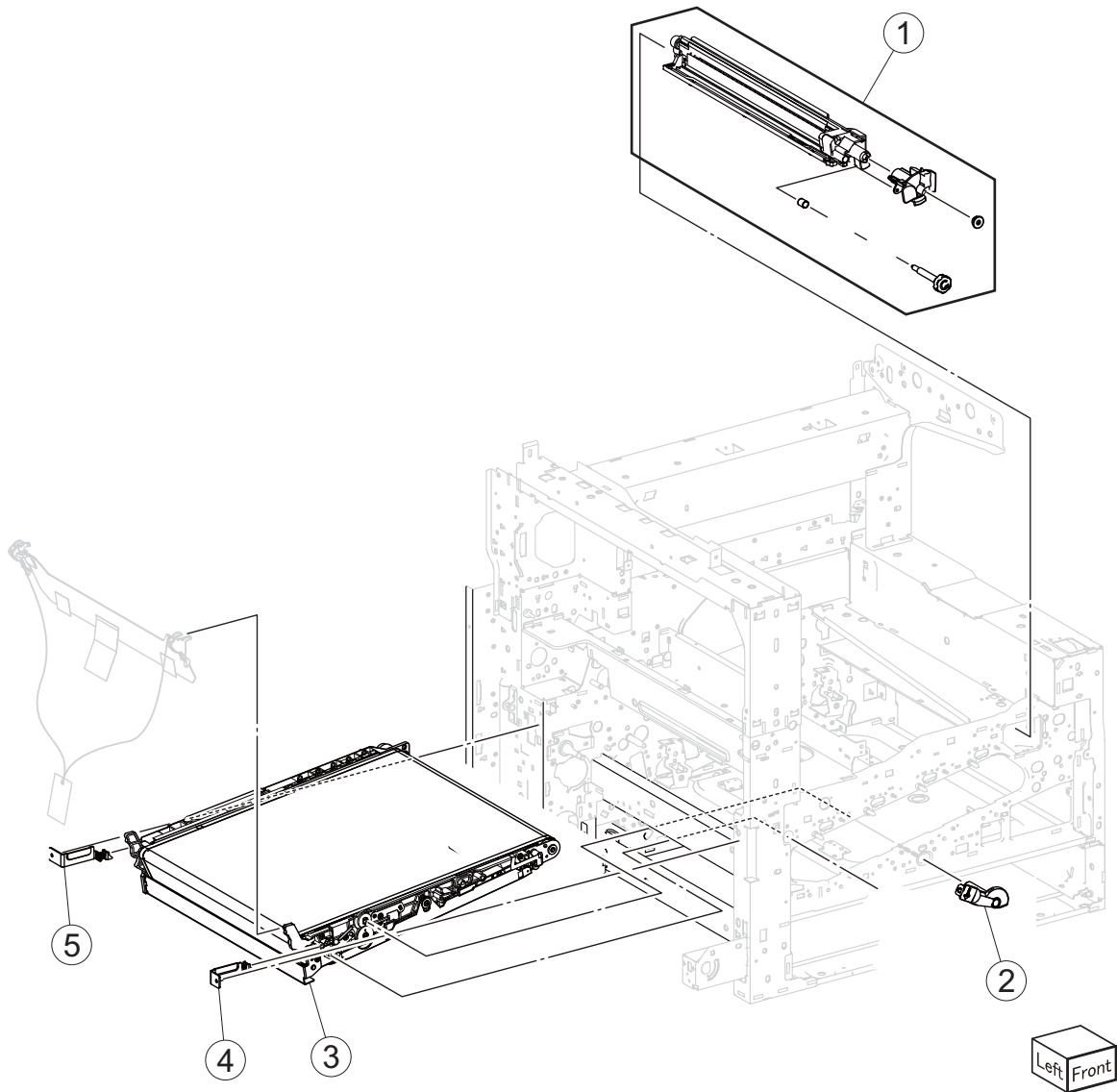
Previous



Next

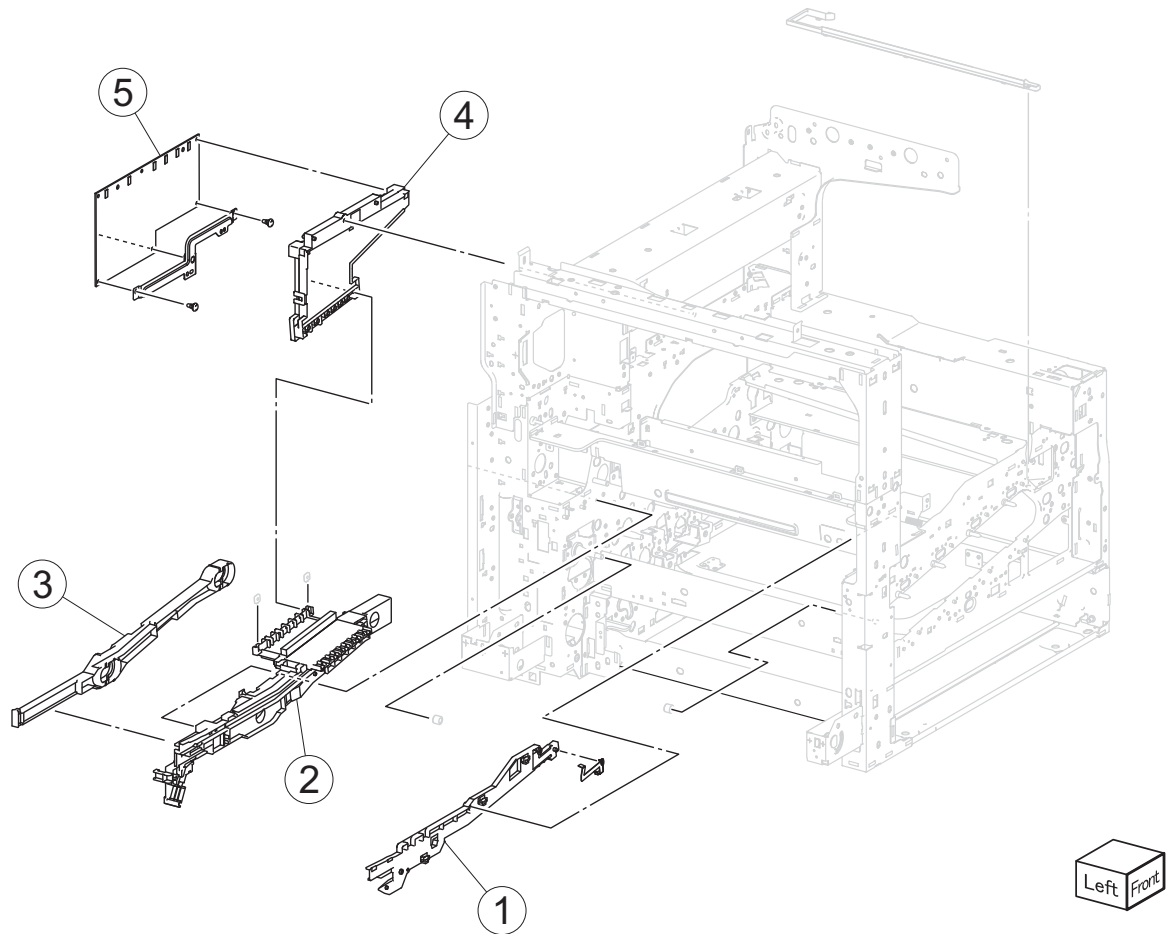


Go Back



Asm-index	Part number	Units/mach	Units/FRU	Description
21-1	40X6623	1	1	Transfer belt cleaning assembly
2	40X6622	1	1	Transfer belt lever
3	40X6624	1	1	Transfer belt assembly
4	40X6620	1	1	Front transfer belt retaining bracket
5	40X6621	1	1	Rear transfer belt retaining bracket

Assembly 22: Transfer belt 2



Previous



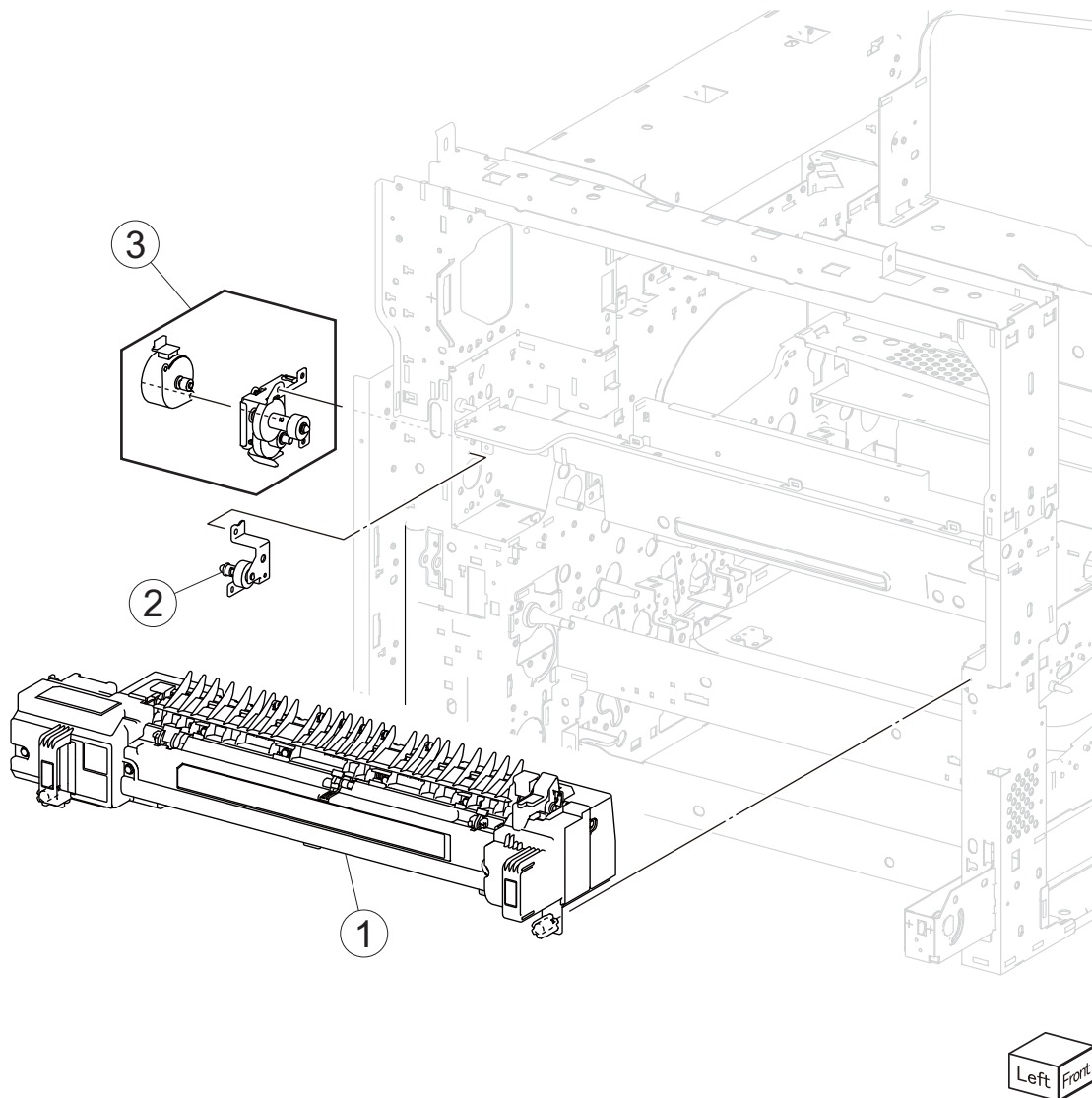
Next



Go Back

Asm-index	Part number	Units/mach	Units/FRU	Description
22-1	40X6625	1	1	Front transfer belt guide
2	40X6627	1	1	Rear transfer belt guide
3	40X6626	1	1	Belt removal actuator
4	40X7333			1st transfer conductor housing
5	40X6628	1	1	Transfer roll HVPS PCBA

Assembly 23: Fuser



Previous



Next



Go Back

Asm-index	Part number	Units/mach	Units/FRU	Description
23-1	40X7532	1	1	Fuser assembly 100V
1	40X6629	1	1	Fuser assembly 110V
1	40X6630	1	1	Fuser assembly 220V
2	40X6632	1	1	Fuser pressure roll retract gear
3	40X6631	1	1	Fuser pressure roll retract motor

Assembly 24: Photoconductor

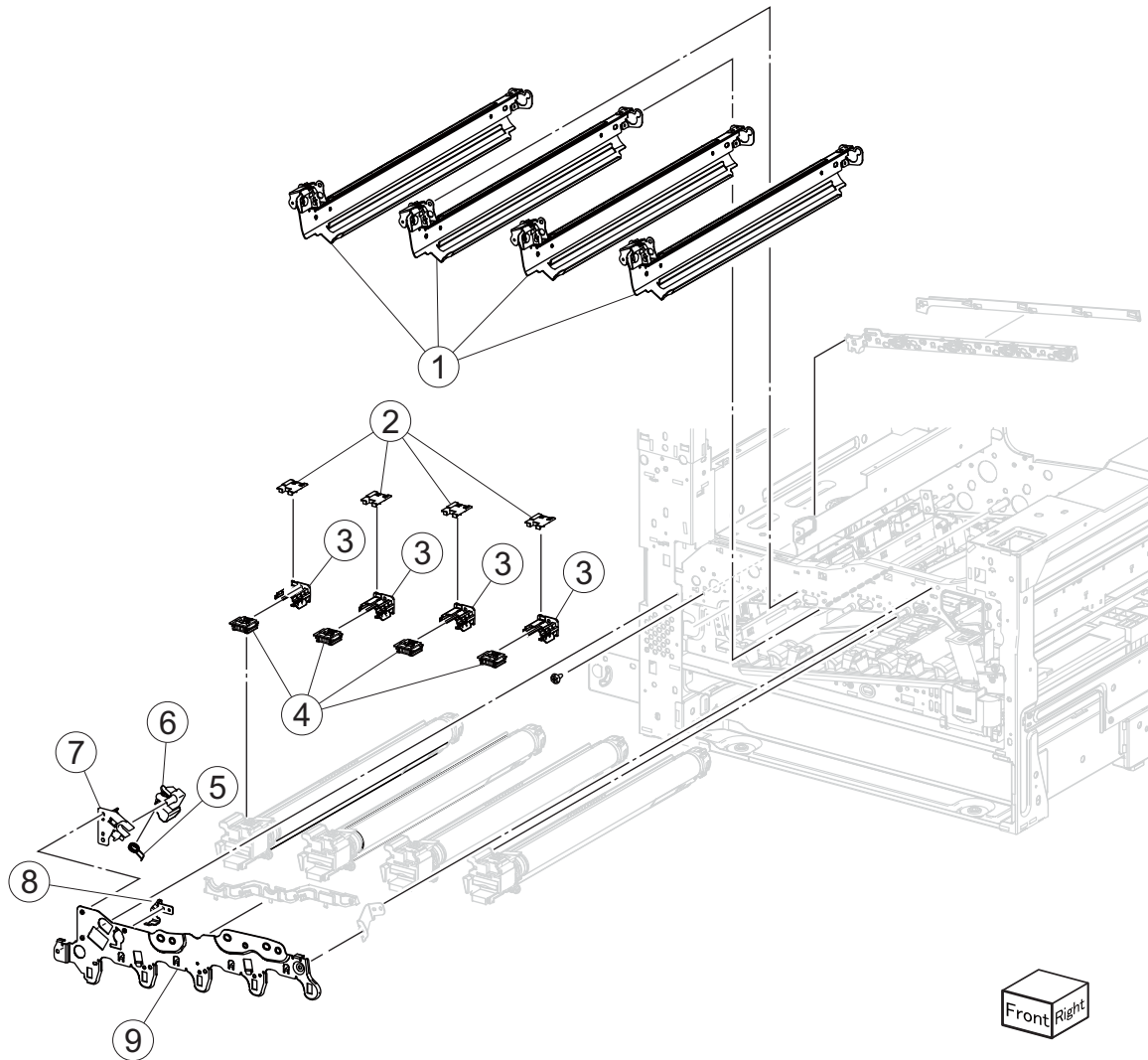
Previous



Next

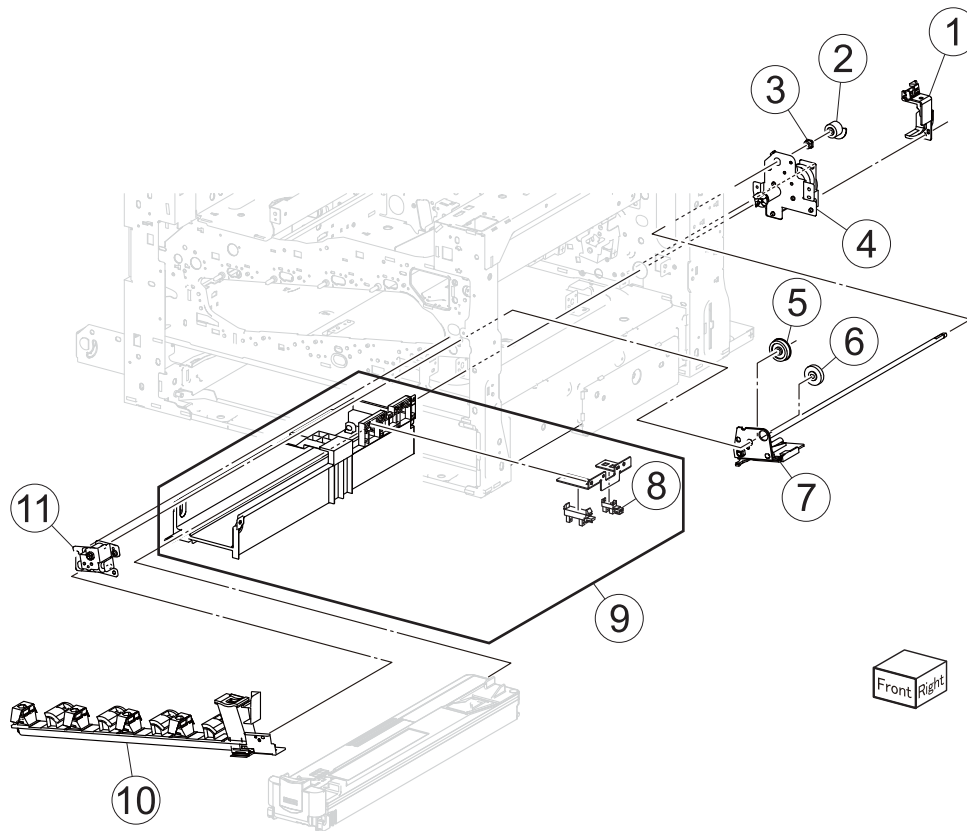


Go Back



Asm-index	Part number	Units/mach	Units/FRU	Description
24-1	40X6636	4	1	Erase lamp
2	40X6634	4	1	PC smart chip cover
3	40X6633	4	1	PC smart chip holder
4	40X6635	4	1	PC smart chip socket
5	40X6640	1	1	Torsion spring
6	40X6638	1	1	Belt lever lock
7	40X6639	1	1	Belt lock bracket
8	40X6641	1	1	Plate spring
9	40X6637	1	1	Inner plate

Assembly 25: Waste toner transfer



Previous



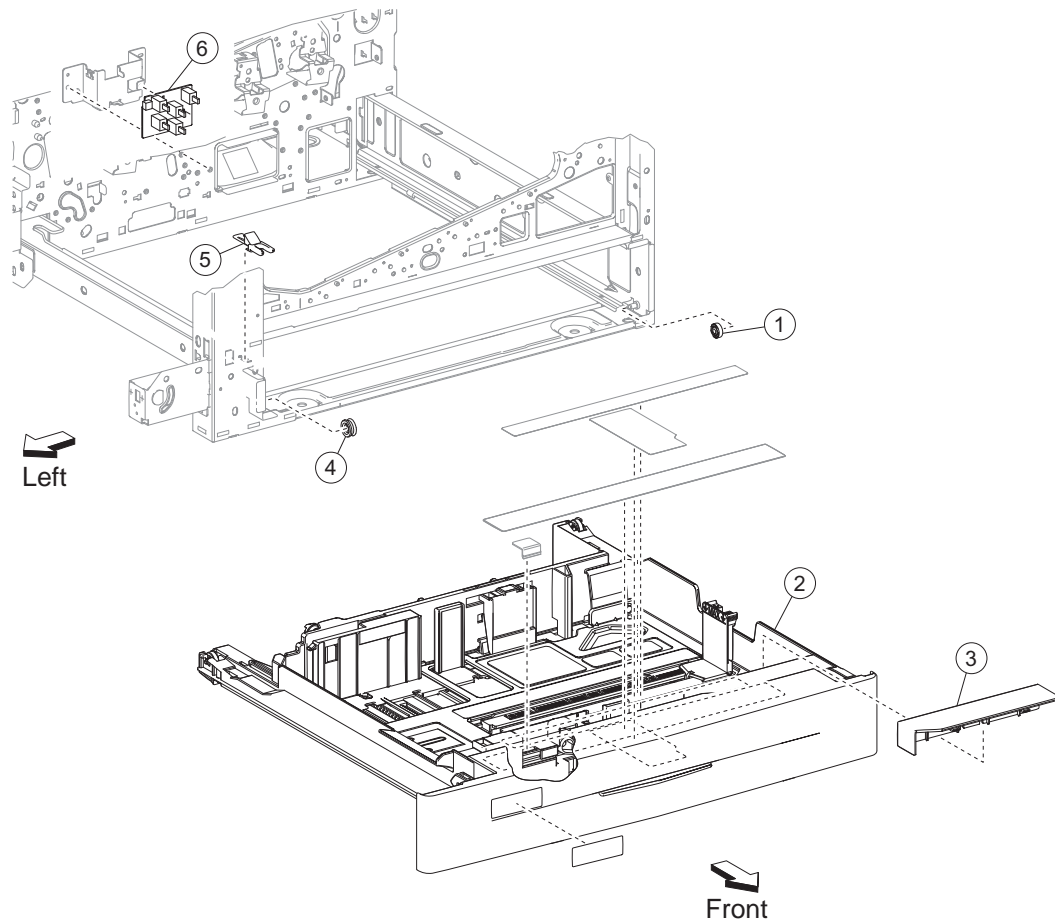
Next



Go Back

Asm-index	Part number	Units/mach	Units/FRU	Description
25-1	40X6649	1	1	Motor cover
2	40X6648	1	1	Actuator gear
3	40X0880	1	1	Plastic bushing
4	40X6643	1	1	Waste toner agitator motor
5	40X6646	1	1	Waste toner gear 31T
6	40X6645	1	1	Waste toner gear 29T
7	40X6647	1	1	Waste toner shaft gate
8	40X3820			Waste toner bottle present sensor
9	40X6650	1	1	Waste toner sensor guide
10	40X6642	1	1	Waste toner auger chute
11	40X6644	1	1	Waste toner gear bracket

Assembly 26: Media feed 1



Previous



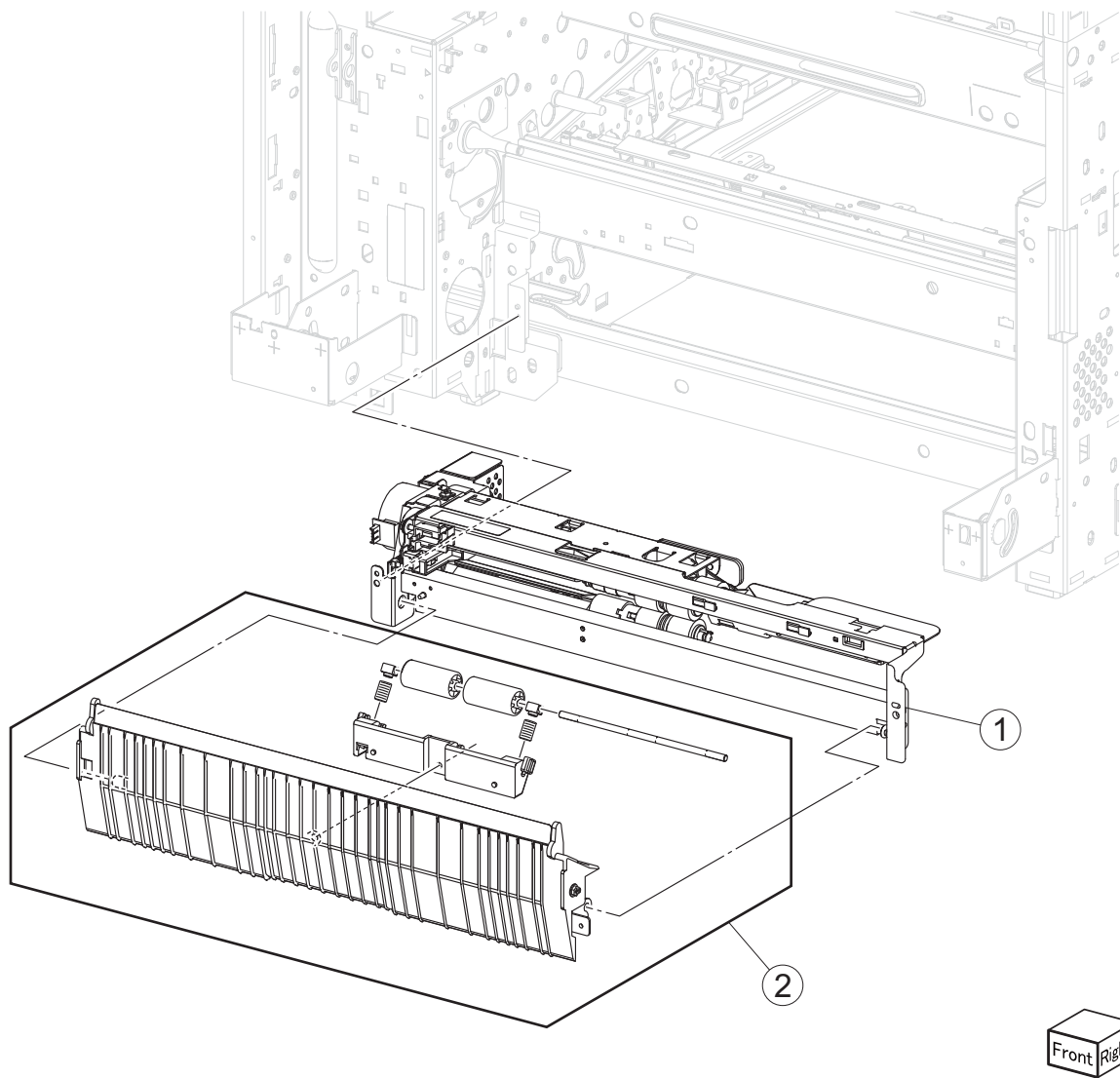
Next



Go Back

Asm-index	Part number	Units/mach	Units/FRU	Description
26-1	40X6653	1	1	Media tray right roller
2	40X6654	1	1	Printer media tray # 1
3	40X6655	1	1	Media tray compartment cover
4	40X6652	1	1	Media tray left roller
5	40X6651	1	1	Media tray stop
6	40X7533	6	1	Media size switch PCB

Assembly 27: Media feed 2



Previous



Next



Go Back

Asm-index	Part number	Units/mach	Units/FRU	Description
27-1	40X6656	1	1	Printer tray 1 media feeder
2	40X6657	1	1	Printer media turn guide

Assembly 28: Media feed 3

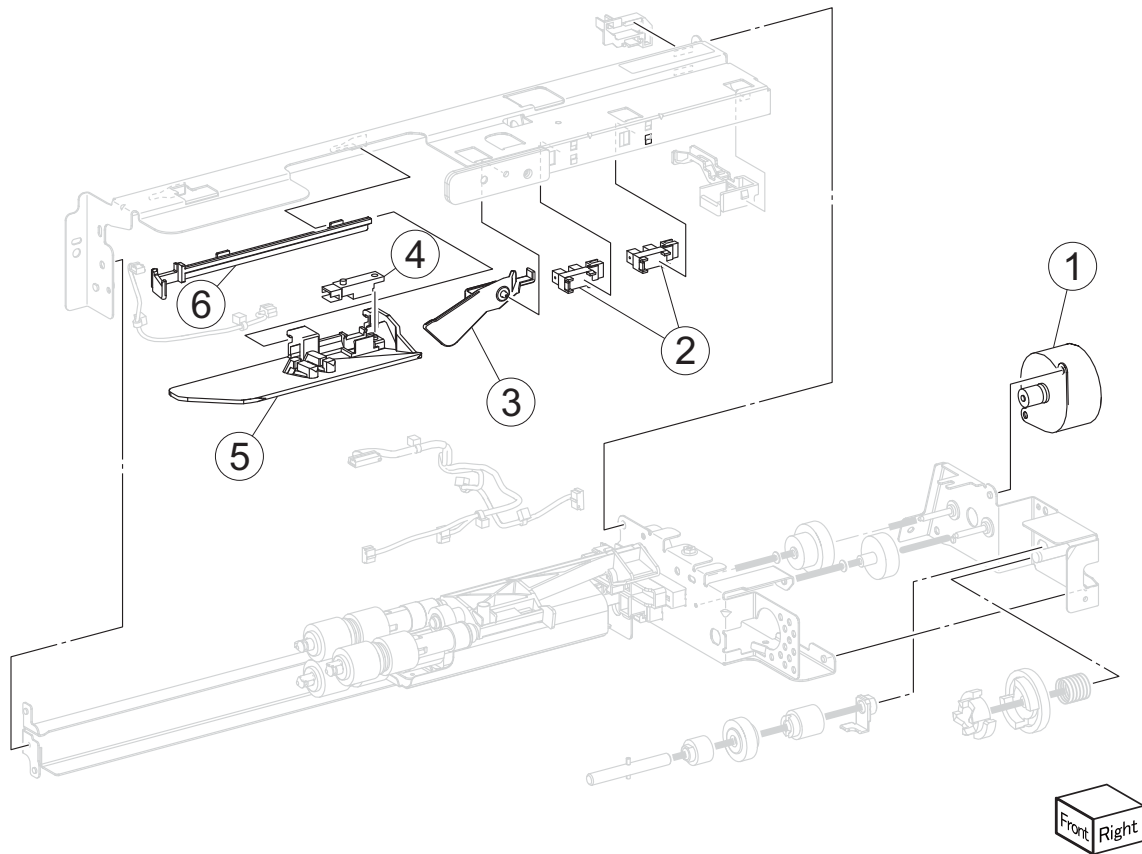
Previous



Next

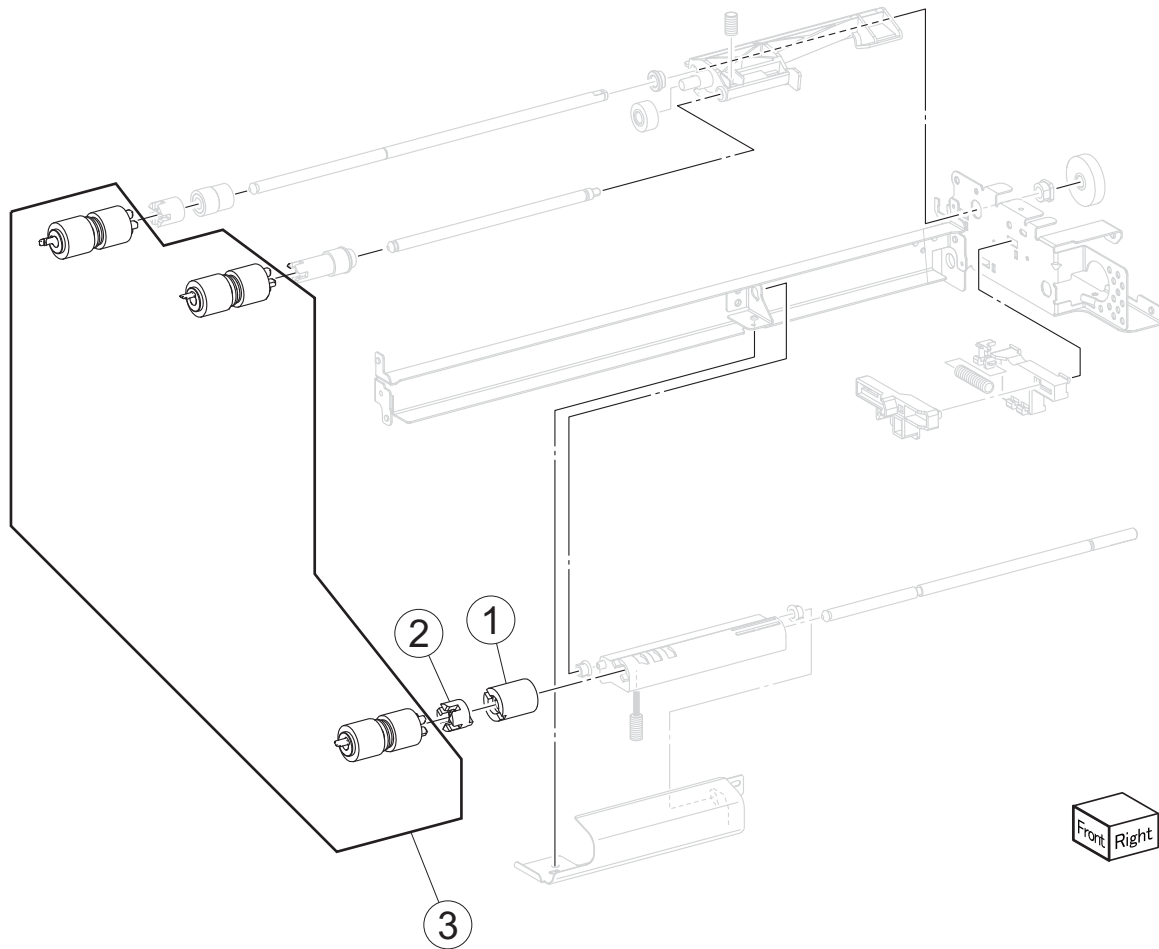


Go Back



Asm-index	Part number	Units/mach	Units/FRU	Description
28-1	40X6658	8	1	Media feed lift motor
2	40X0588	1	1	Tray 1 media level sensor
2	40X0588	1	1	Tray 1 media out sensor
2	40X0588	1	1	Tray 2 media level sensor
2	40X0588	1	1	Tray 2 media out sensor
2	40X0588	1	1	Tray 3 media level sensor
2	40X0588	1	1	Tray 3 media out sensor
2	40X0588	1	1	Tray 4 media level sensor
2	40X0588	1	1	Tray 4 media out sensor
3	40X0587	8	1	Media out actuator
4	40X0589	2	1	Tray 1 pre-feed sensor
5	40X6659	8	1	Feeder slide guide
6	40X6773	8	1	Feeder unit slide rail

Assembly 29: Media feed 4



Previous



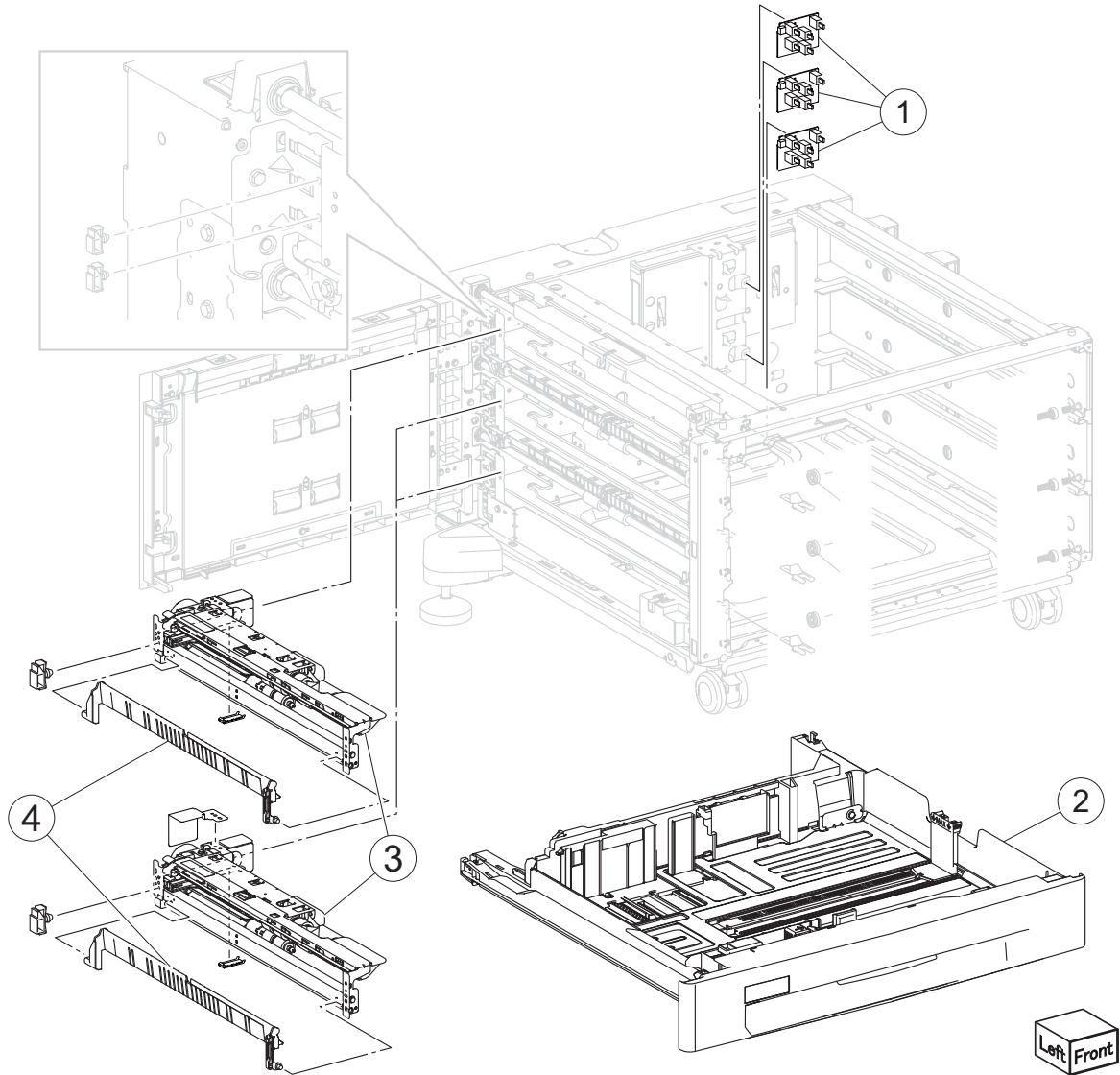
Next



Go Back

Asm-index	Part number	Units/mach	Units/FRU	Description
29-1	40X6660	8	1	Separation limiter clutch
2	40X6661	8	1	Separation spacer
3	40X6805	7	3	Pick roller kit includes: <ul style="list-style-type: none"> • Pick rollers • Feed rollers • Separation rollers

Assembly 30: Tray module media feed



Previous



Next



Go Back

Asm-index	Part number	Units/mach	Units/FRU	Description
30-1	40X7533	6	1	Media size switch PCB
2	40X6665	3	1	Tray module media tray
3	40X6662	3	1	Tray module media feeder
4	40X6663	3	1	Tray module tray 2 media turn guide

Assembly 31: Tray module media transport 1

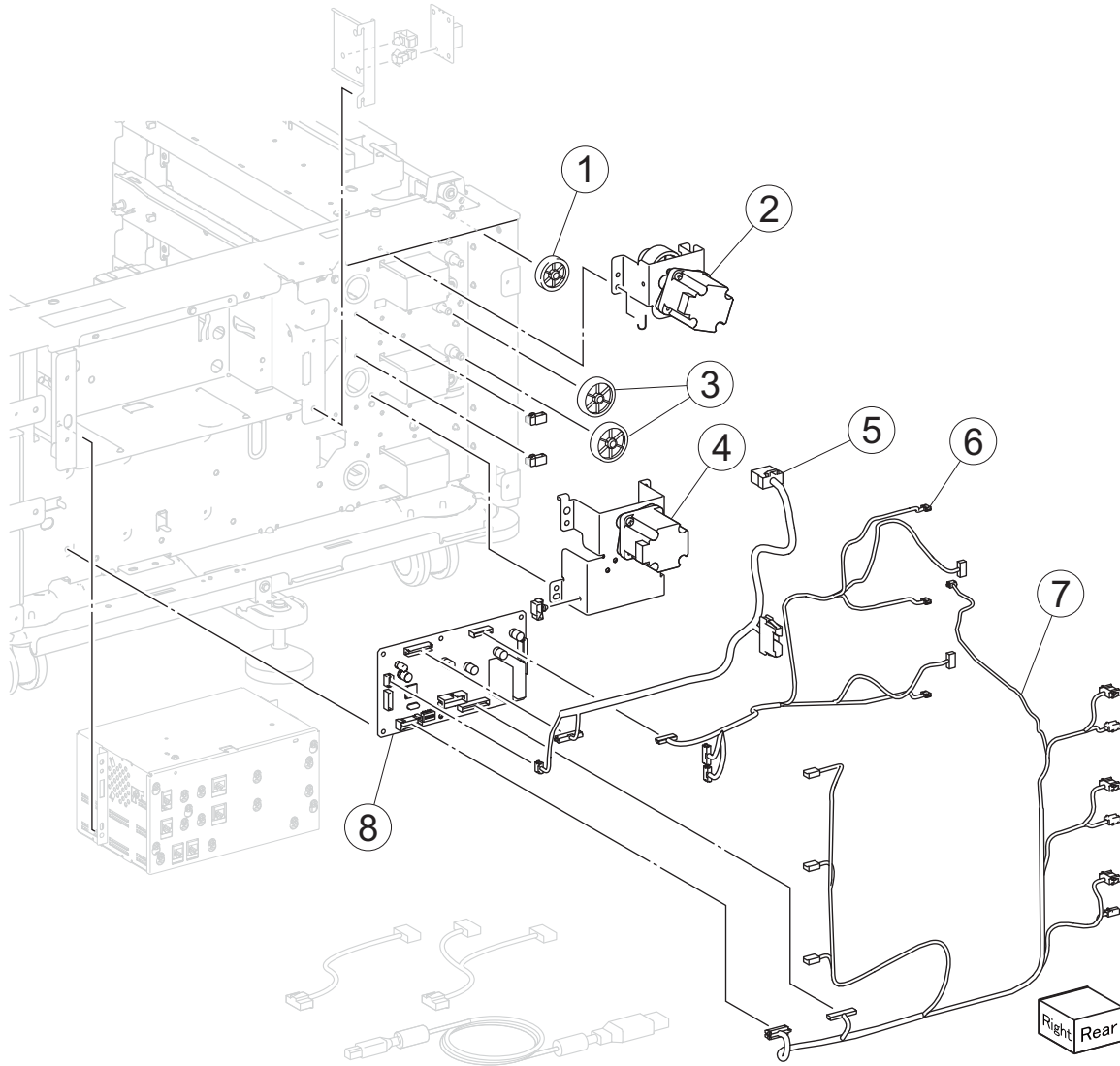
Previous



Next

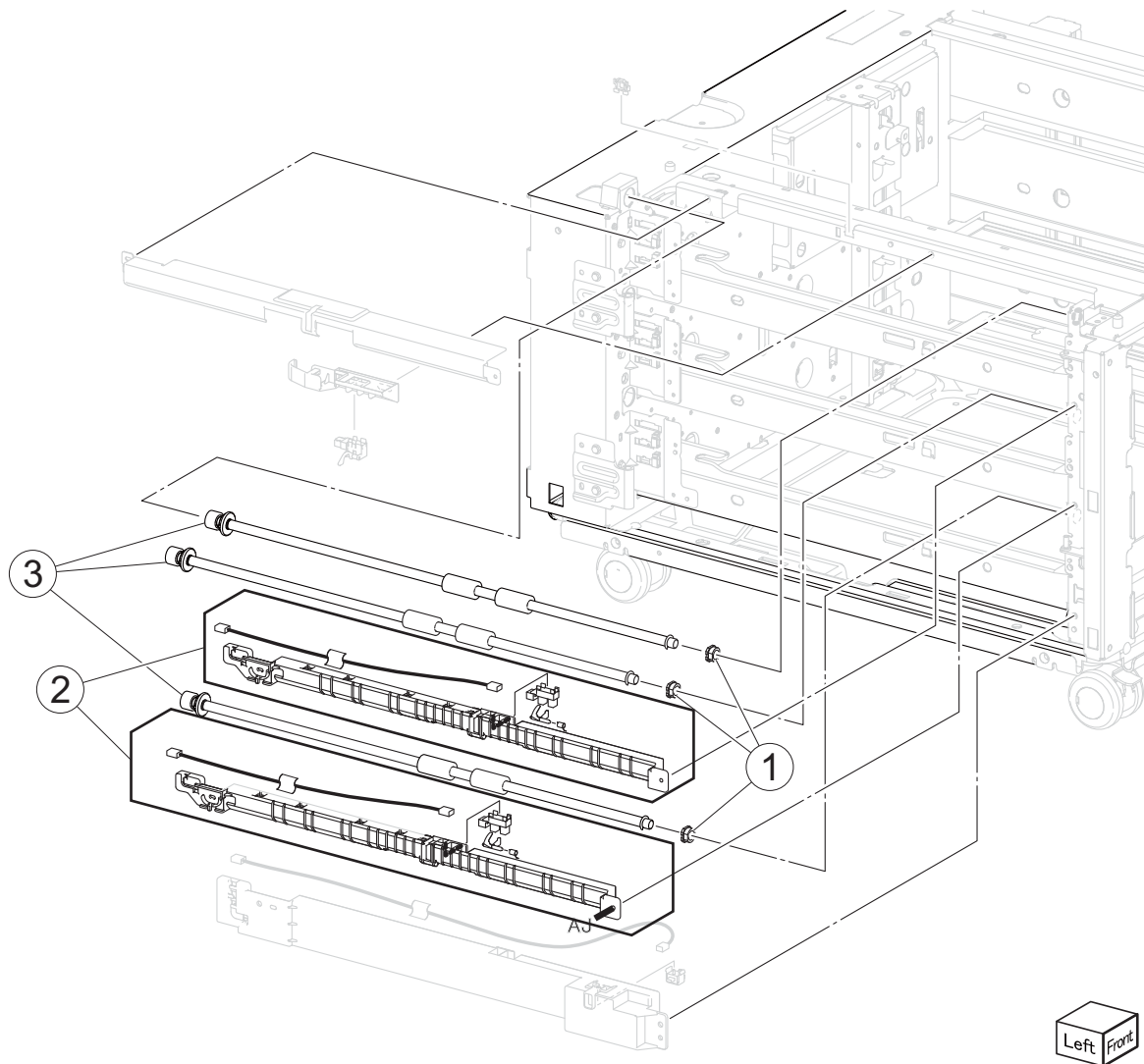


Go Back



Asm-index	Part number	Units/mach	Units/FRU	Description
31-1	40X6668	1	1	3TM 34T gear
2	40X6674	2	1	Tray module upper transport motor
3	40X6669	2	1	3TM/TTM 39T gear
4	40X6670	1	1	Tray module lower transport motor
5	40X6673	1	1	3TM interface cable
6	40X6672	1	1	3TM motor cable
7	40X6671	1	1	3TM sensor cable
8	40X6667	3	1	Tray module controller PCBA

Assembly 32: Tray module media transport 2



Previous



Next



Go Back

Asm-index	Part number	Units/mach	Units/FRU	Description
32-1	40X3915	7	1	Bearing
2	40X6675	1	1	Sensor tray (module feed out)
3	40X6677	6	1	Tray module transport roller

Assembly 33: Tray module covers 1

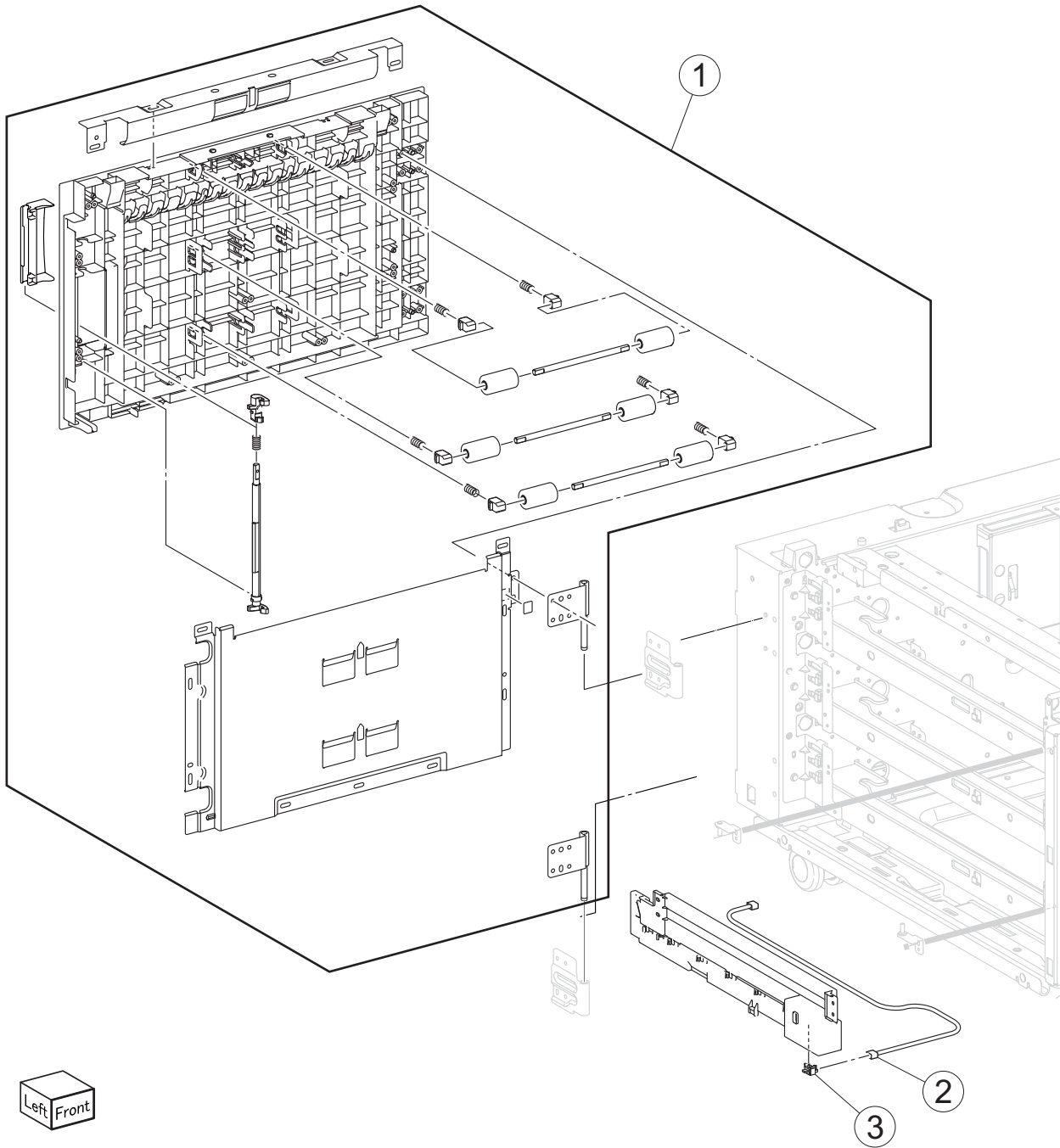
Previous



Next

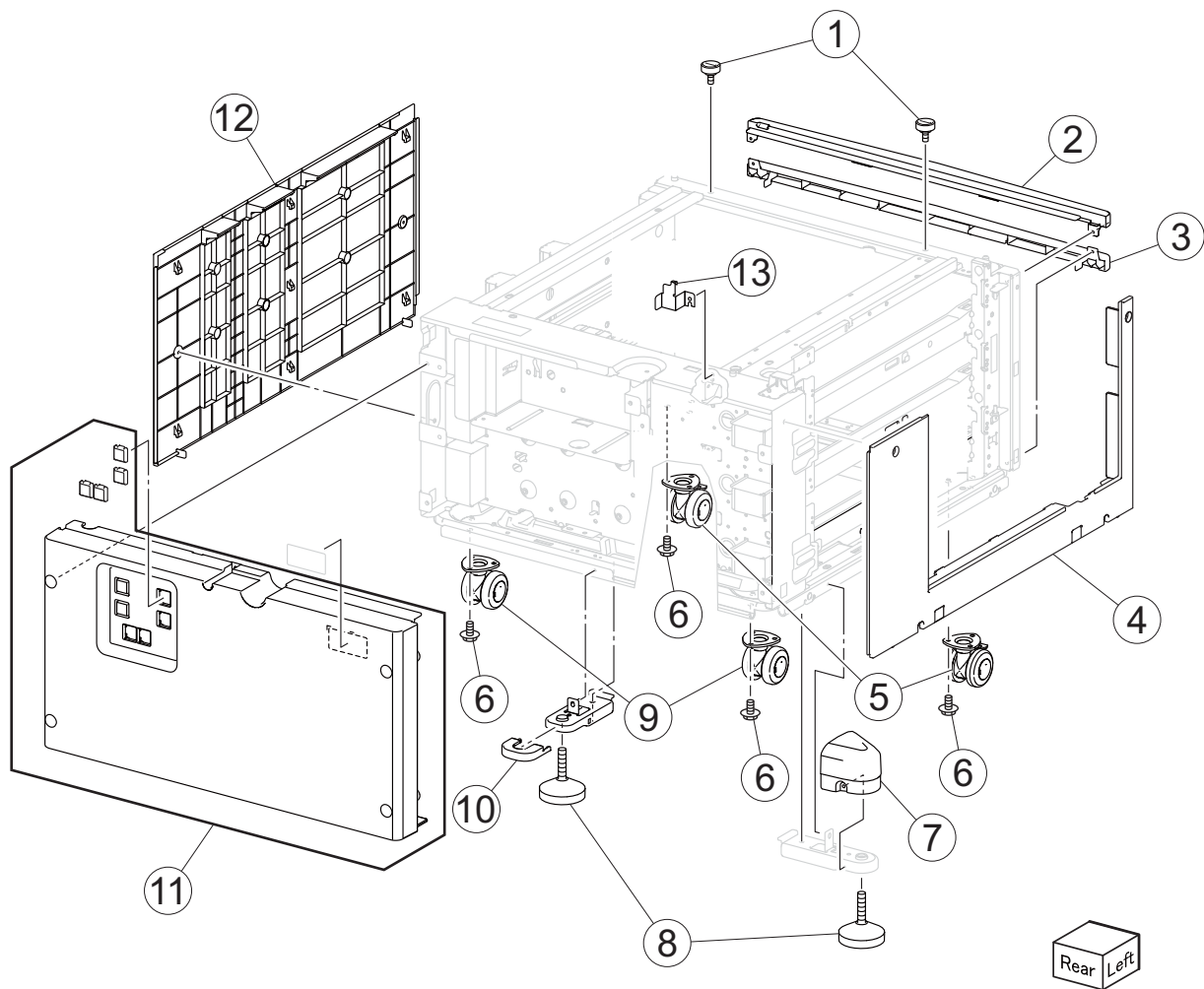


Go Back



Asm-index	Part number	Units/mach	Units/FRU	Description
33-1	40X6678	1	1	3TM left door
2	40X6701	1	1	Tray module left door sensor cable
3	40X6700	2	1	Sensor (tray module left door interlock)

Assembly 34: Tray module covers 2



Previous



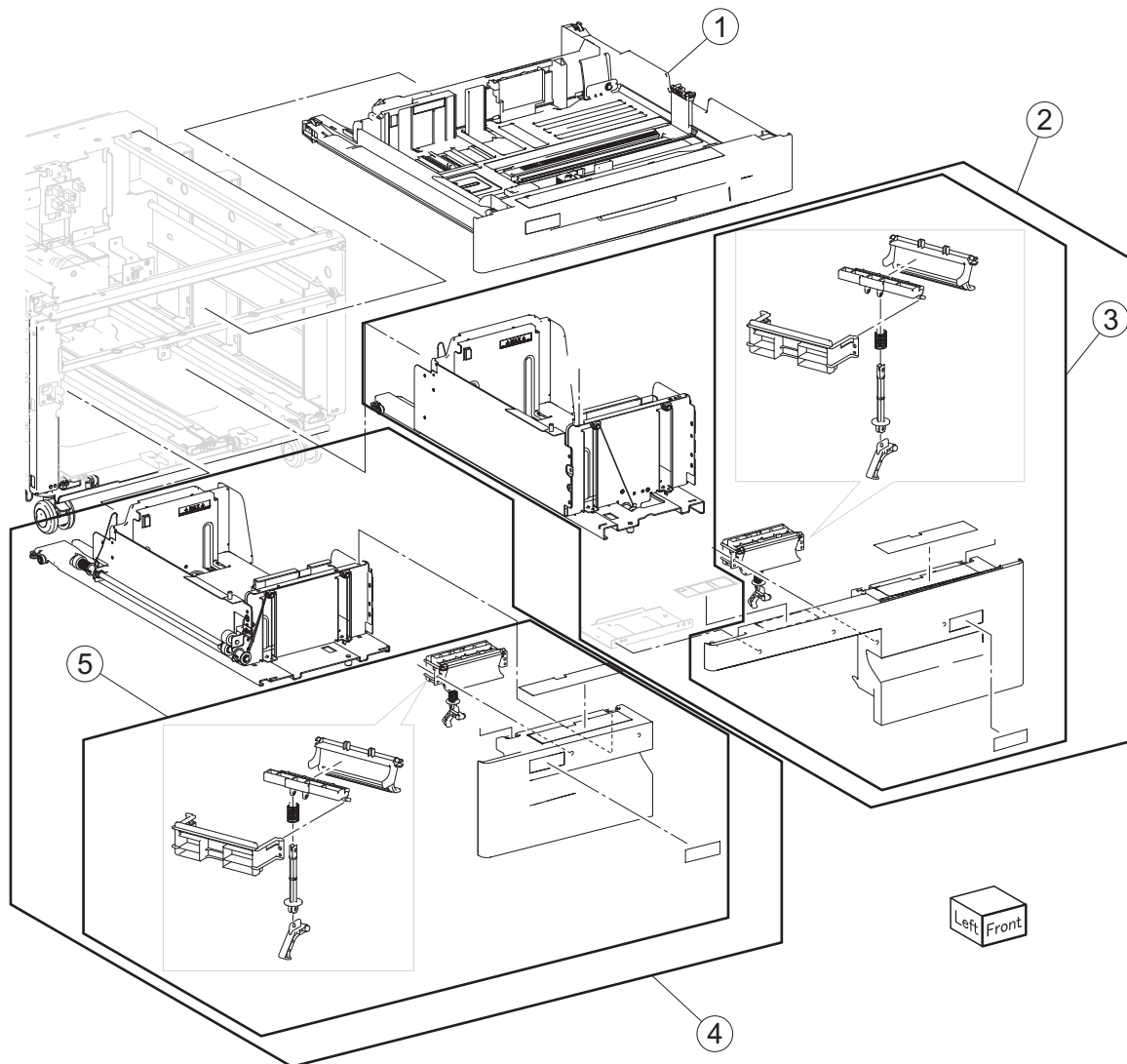
Next



Go Back

Asm-index	Part number	Units/mach	Units/FRU	Description
34-1	40X6683	6	2	Docking screw
2	40X6688	3	1	Tray module top cover
3	40X6689	2	1	Tray module bottom cover
4	40X6690	3	1	Tray module left cover
5	40X6685	6	1	1TM/TTM/3TM locking caster
6	40X6583	12	1	1TM/TTM/3TM caster screw
7	40X6681	3	1	1TM/TTM/3TM foot side cover
8	40X6680	6	1	1TM/TTM/3TM adjuster foot
9	40X6686	6	1	1TM/TTM/3TM non-locking caster
10	40X6682	3	1	1TM/TTM/3TM foot rear cover
11	40X6687	3	1	Tray module rear cover
12	40X6691	3	1	Tray module right cover
13	40X6684	3	1	1TM/TTM/3TM docking bracket

Assembly 35: TTM trays



Previous



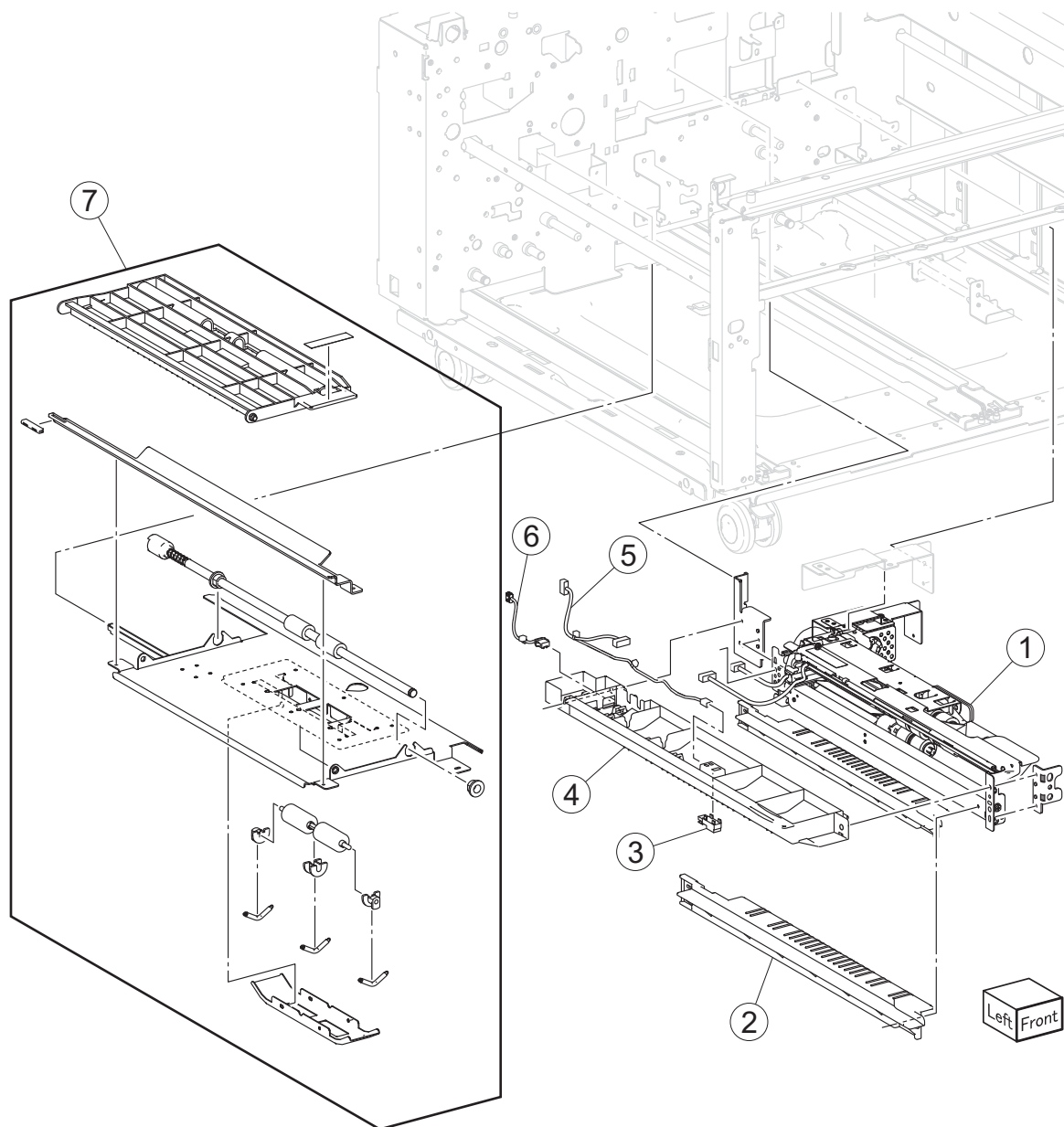
Next



Go Back

Asm-index	Part number	Units/ mach	Units/ FRU	Description
35-1	40X6665	3	1	Tray module media tray
2	40X6698	1	1	TTM tray 4 media tray
3	40X6693	1	1	TTM tray 4 media tray cover
4	40X6694	1	1	TTM tray 3 media tray
5	40X6695	1	1	TTM tray 3 media tray cover

Assembly 36: TTM media feed 1



Previous



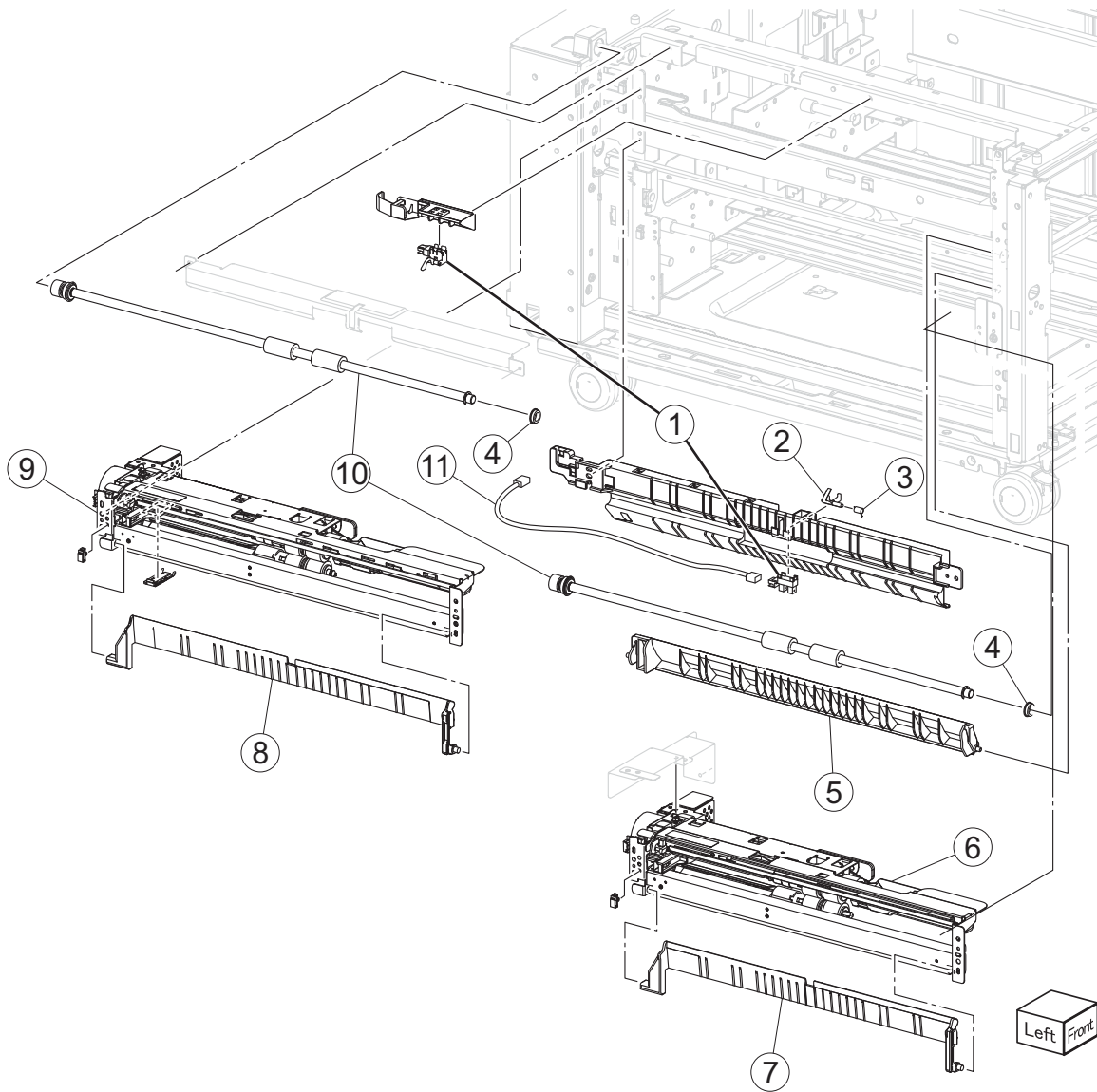
Next



Go Back

Asm-index	Part number	Units/mach	Units/FRU	Description
36-1	40X6696	1	1	TTM tray 4 media feeder
2	40X6834	1	1	TTM tray 4 feeder lower guide
3	40X0727	1	1	Sensor (TTM tray 4 feedout)
4	40X6871	1	1	TTM tray 4 feeder upper guide
5	40X6883	1	1	TTM tray 4 feeder sensor cable
6	40X6896	1	1	TTM tray 4 feeder motor cable
7	40X6697	1	1	TTM tray 4 media transport

Assembly 37: TTM media feed 2



Previous



Next



Go Back

Assembly 37: TTM media feed 2

Asm-index	Part number	Units/mach	Units/FRU	Description
37-1	40X7334	1	1	Sensor (tray module feed out)
1	40X3688	1	1	Sensor (TTM tray 3 feed out)
2	40X7336	1	1	TTM tray 3 feed-out actuator
3	40X7337	1	1	TTM actuator spring
4	40X3915	7	1	Bearing
5	40X7341	1	1	TTM tray 4 media turn guide
6	40X7340			TTM tray 3 feeder
7	40X6699	1	1	TTM tray 3 media turn guide
8	40X6663	3	1	1TM/3TM/TTM media turn guide
9	40X6662	3	1	3TM/TTM media feeder
10	40X6677	6	1	Tray module transport roller
11	40X7338	1	1	TTM tray 3 feed out sensor cable

Previous



Next



Go Back

Assembly 38: TTM left door

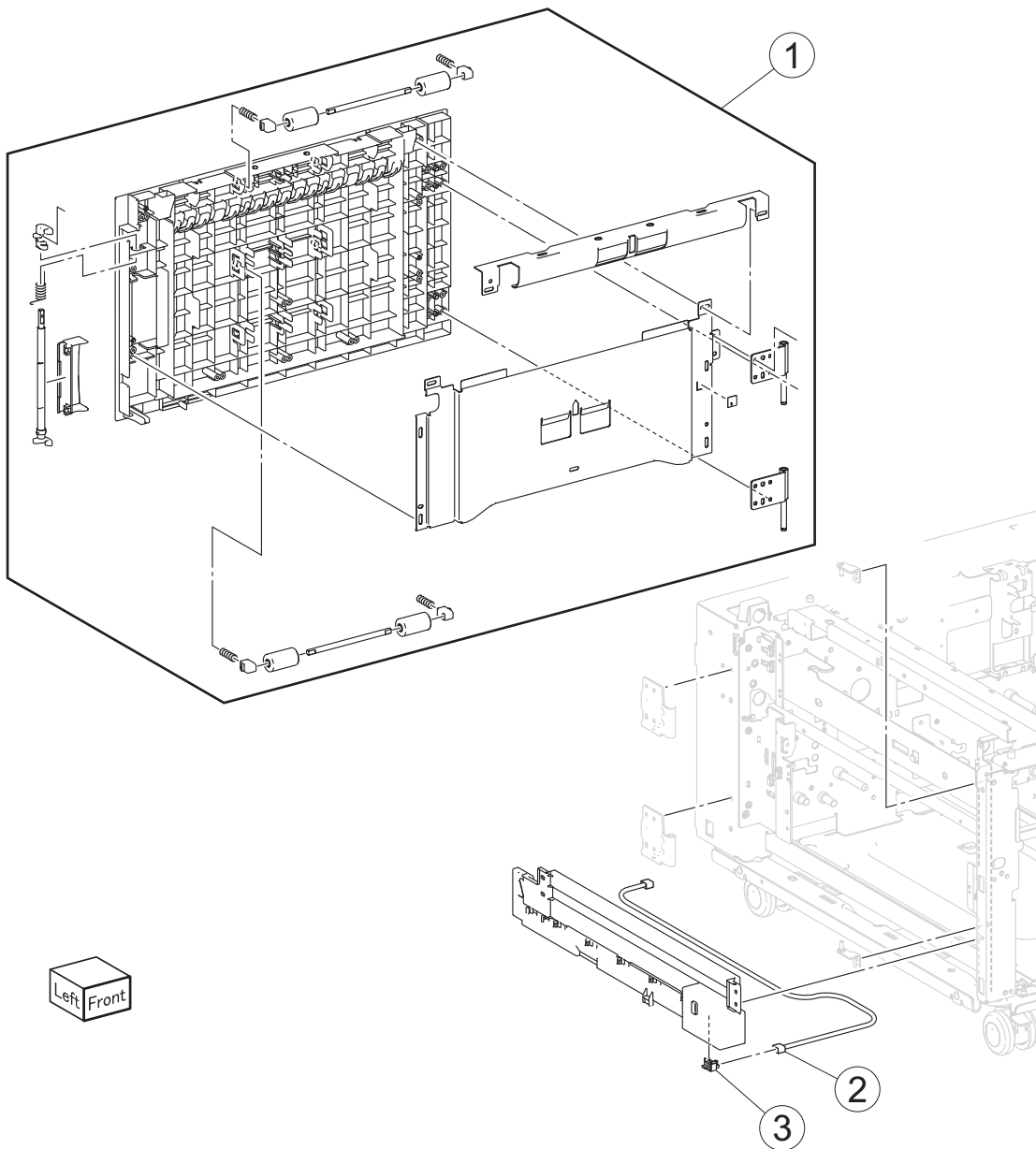
Previous



Next

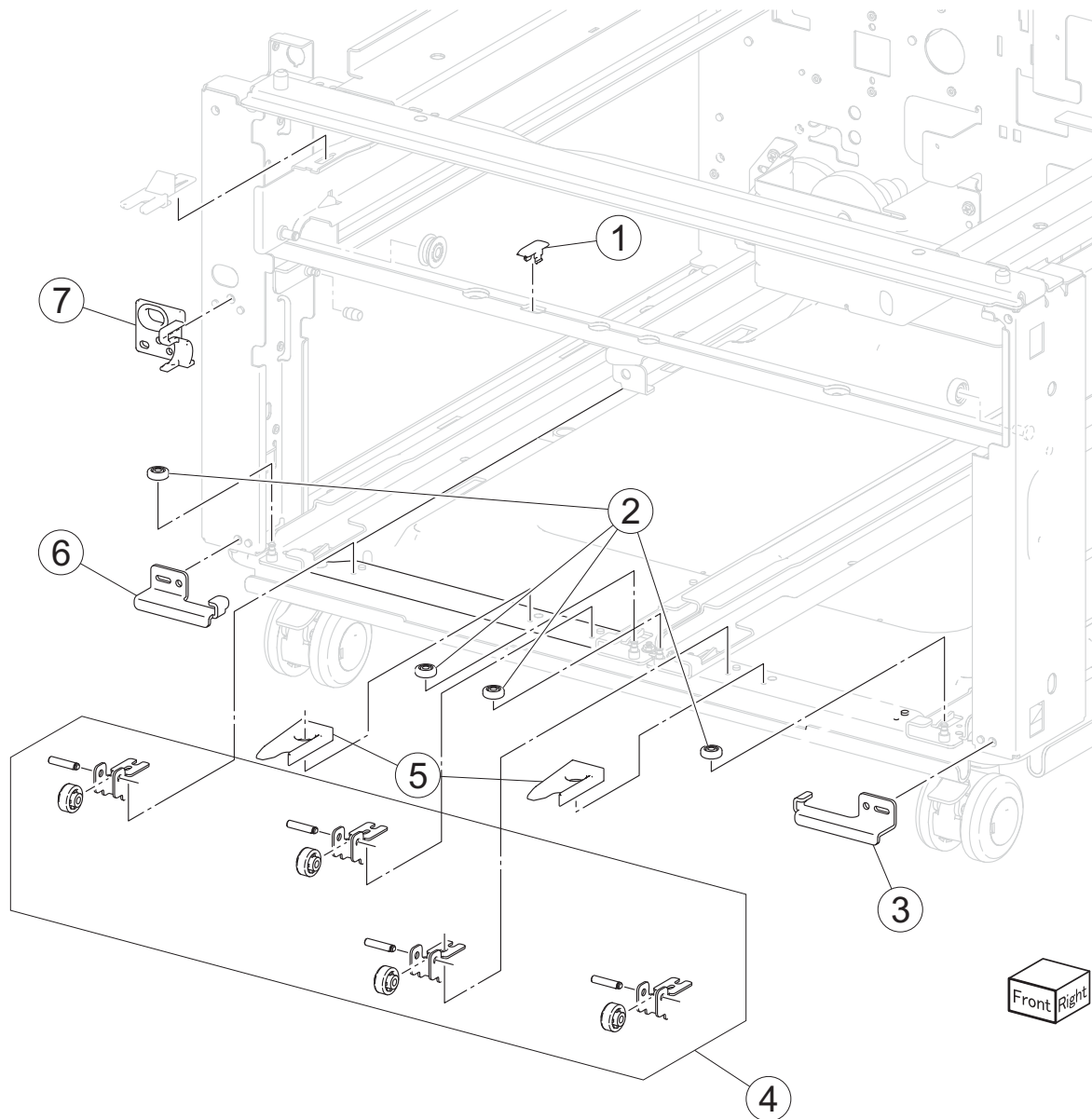


Go Back



Asm-index	Part number	Units/mach	Units/FRU	Description
38-1	40X6702	1	1	TTM left door
2	40X6701	1	1	Tray module left door sensor cable
3	40X6700	2	1	Sensor (tray module left door interlock)

Assembly 39: TTM tray support



Previous



Next



Go Back

Asm-index	Part number	Units/mach	Units/FRU	Description
39-1	40X7342	1	1	TTM tray spacer
2	40X7344	4	1	TTM tray side roller
3	40X7347	1	1	TTM tray 4 lock
4	40X7343	4	1	TTM tray 3/4 tray roller
5	40X7348	2	1	TTM tray 3/4 stopper
6	40X7346	1	1	TTM tray 3 lock
7	40X7345	1	1	TTM upper stopper

Assembly 40: TTM drive 1

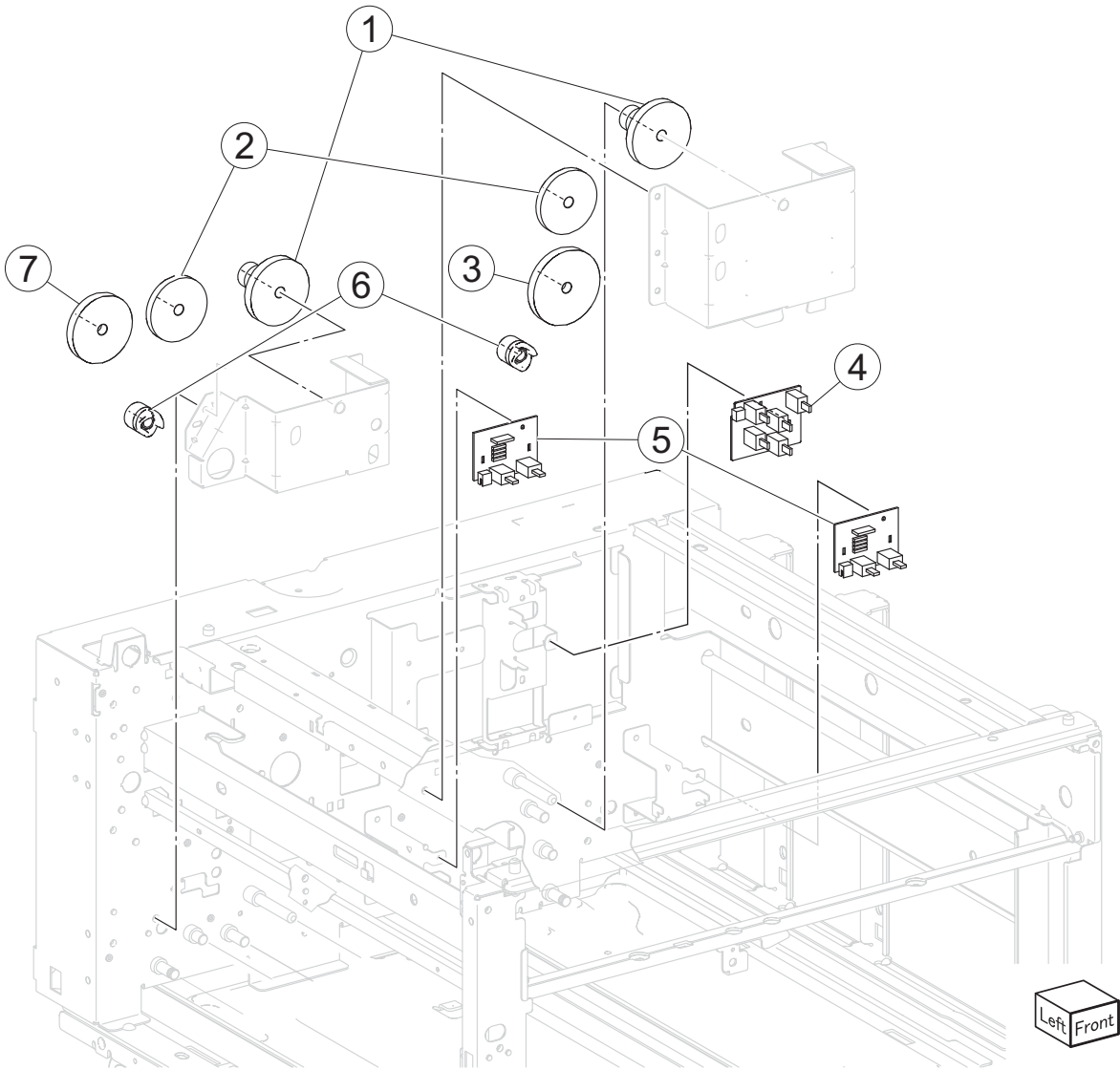
Previous



Next

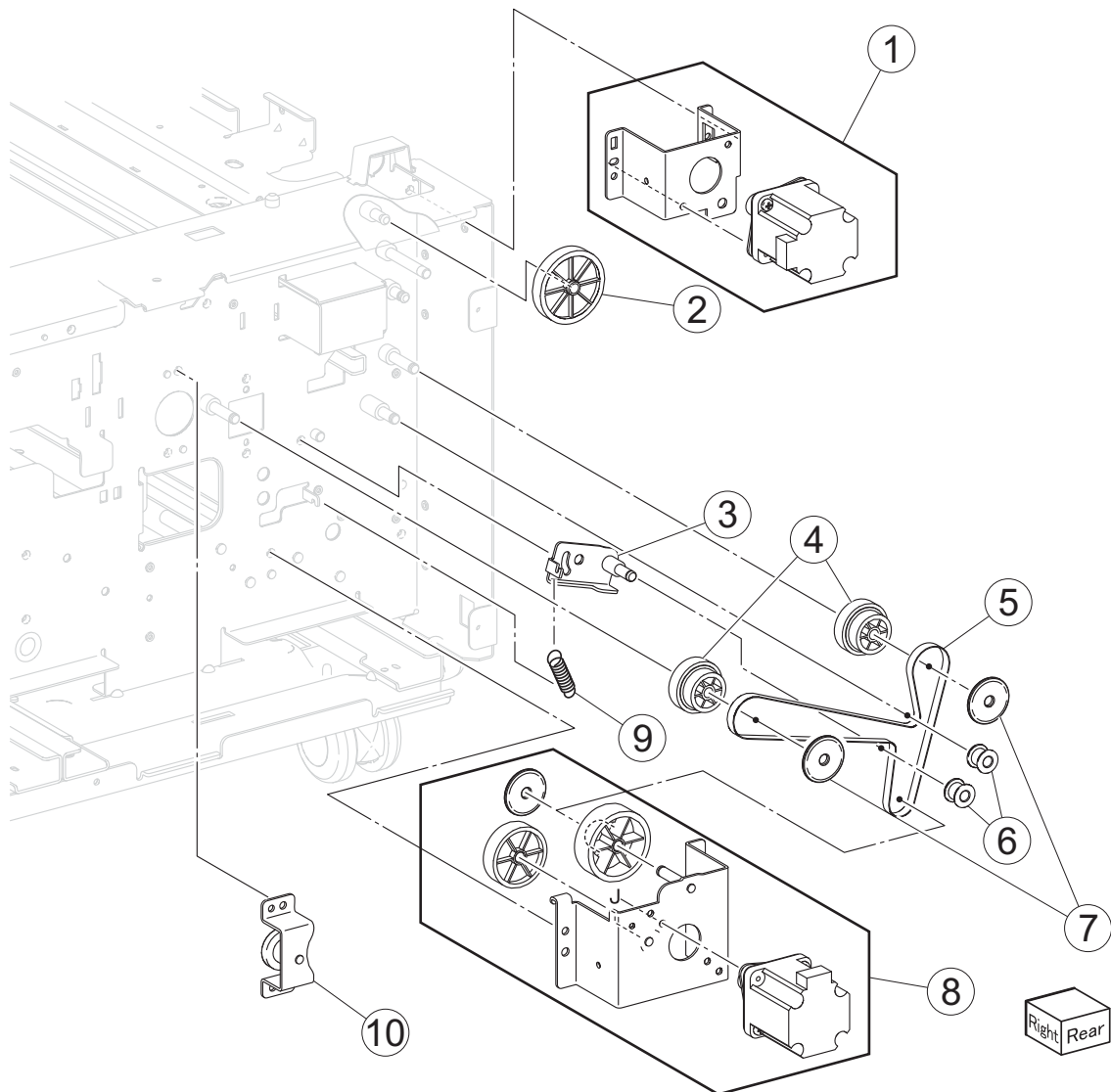


Go Back



Asm-index	Part number	Units/mach	Units/FRU	Description
40-1	40X7350	2	1	TTM gear 17T/50T
2	40X7351	2	1	TTM gear 16T/48T
3	40X7352	1	1	TTM gear 57T
4	40X7533	6	1	Media size switch PCB
5	40X7349	2	1	Sensor (TTM media size)
6	40X7353	2	1	Coupler
7	40X7354	1		TTM gear 51T

Assembly 41: TTM drive 2



Previous



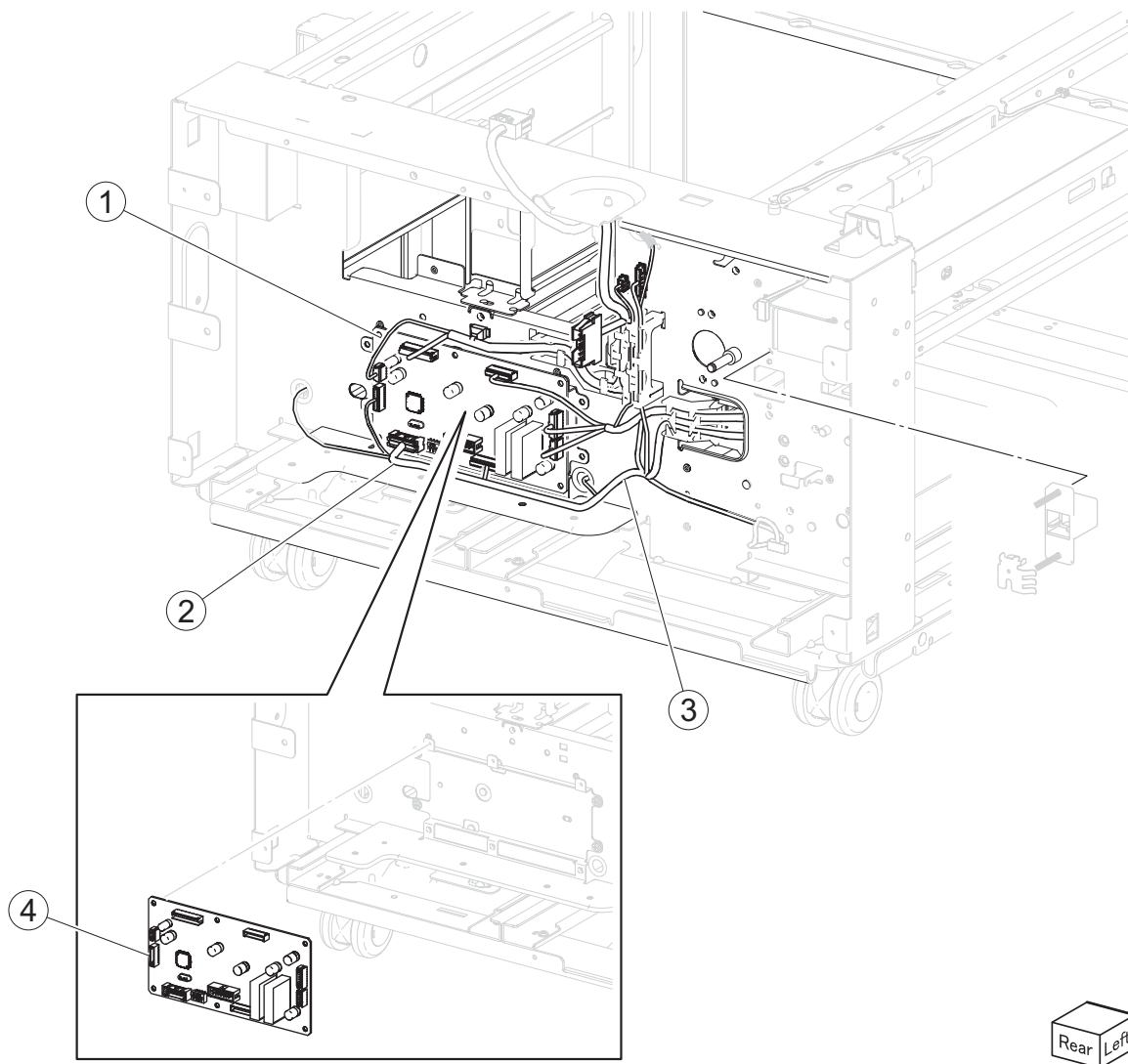
Next



Go Back

Asm-index	Part number	Units/mach	Units/FRU	Description
41-1	40X6704	1	1	TTM upper transport motor
2	40X7355	1	1	TTM gear 52T
3	40X7361	1	1	TTM tension bracket
4	40X7357	1	1	TTM drive gear
5	40X7359	1	1	TTM drive belt
6	40X7358	1	1	TTM idler pulley
7	40X7356	1	1	TTM drive flange
8	40X6703	1	1	TTM lower transport motor
9	40X7360	1	1	Spring
10	40X7363	1	1	TTM tray 4 drive gear

Assembly 42: TTM cables



Previous



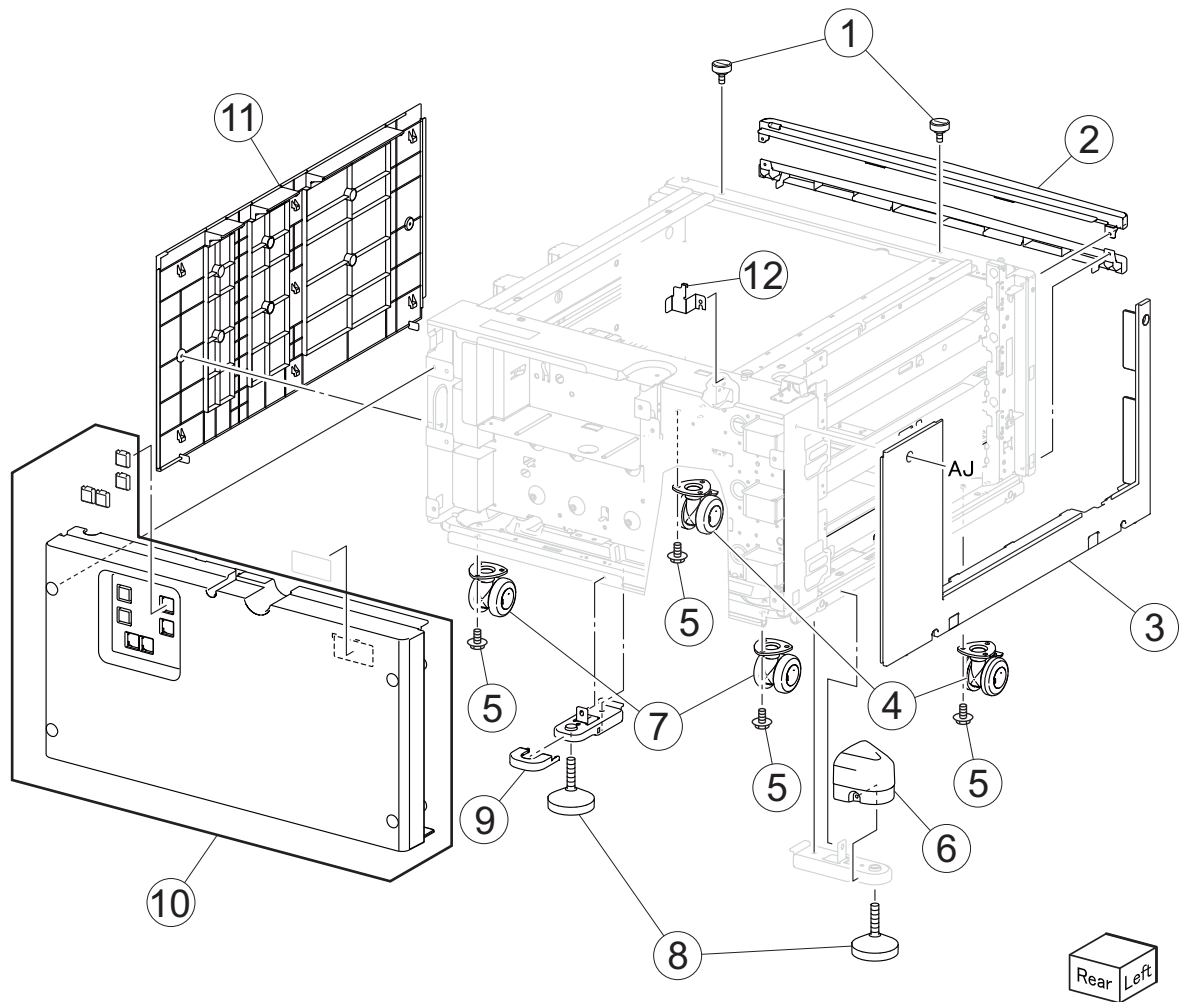
Next



Go Back

Asm-index	Part number	Units/mach	Units/FRU	Description
42-1	40X7366	1	1	TTM interface cable
2	40X7364	1	1	TTM sensor cable
3	40X7365	1	1	TTM motor cable
4	40X6667	3	1	1TM/3TM/TTM controller PCBA

Assembly 43: TTM covers



Previous



Next



Go Back

Asm-index	Part number	Units/mach	Units/FRU	Description
43-1	40X6683	6	2	Docking screw
2	40X6688	3	1	Tray module top cover
3	40X6690	3	1	Tray module left cover
4	40X6685	6	1	1TM/TTM/3TM locking caster
5	40X6583	12	1	1TM/TTM/3TM caster screw
6	40X6681	3	1	1TM/TTM/3TM foot side cover
7	40X6686	6	1	1TM/TTM/3TM non-locking caster
8	40X6680	6	1	1TM/TTM/3TM adjuster foot
9	40X6682	3	1	1TM/TTM/3TM foot rear cover
10	40X6687	3	1	Tray module rear cover
11	40X6691	3	1	Tray module right cover
12	40X6684	3	1	1TM/TTM/3TM docking bracket

Assembly 44: 1TM front cover

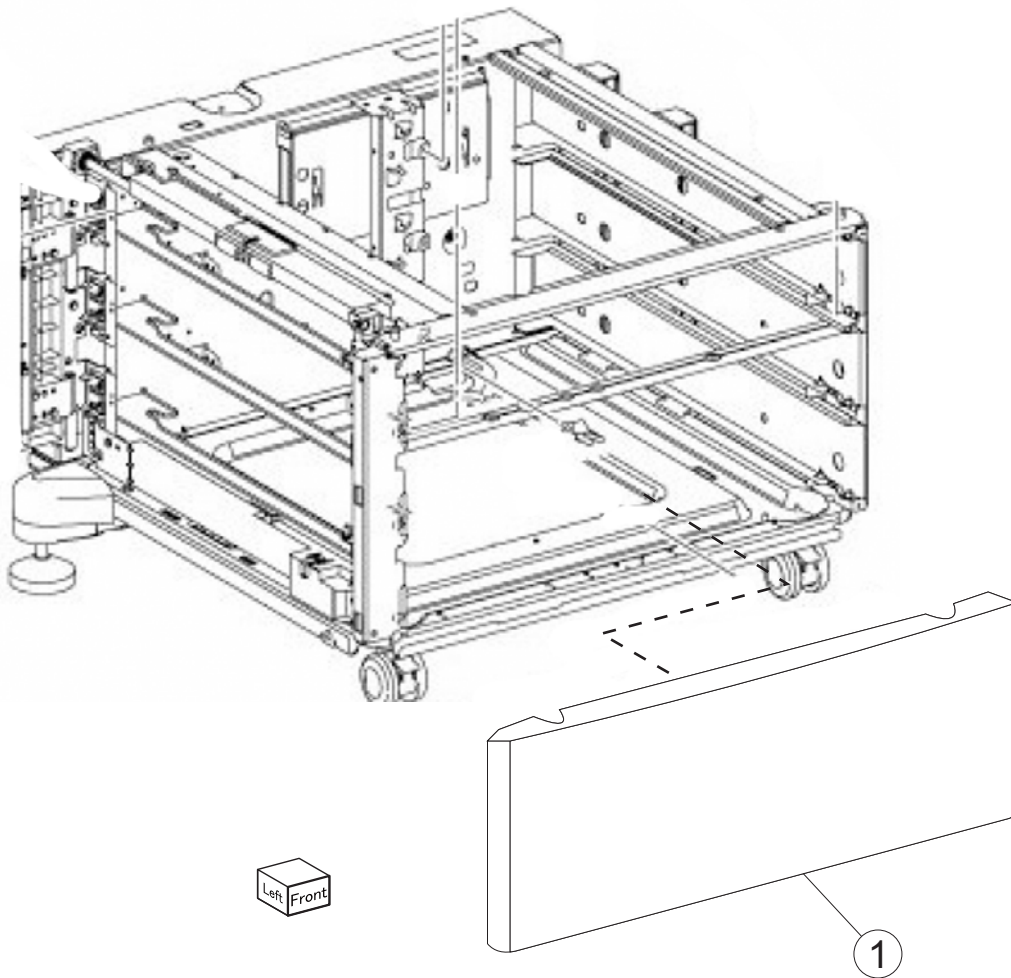
Previous



Next



Go Back



Asm-index	Part number	Units/mach	Units/FRU	Description
44-1	40X7367	1	1	1TM front cover

Assembly 45: 1TM cables

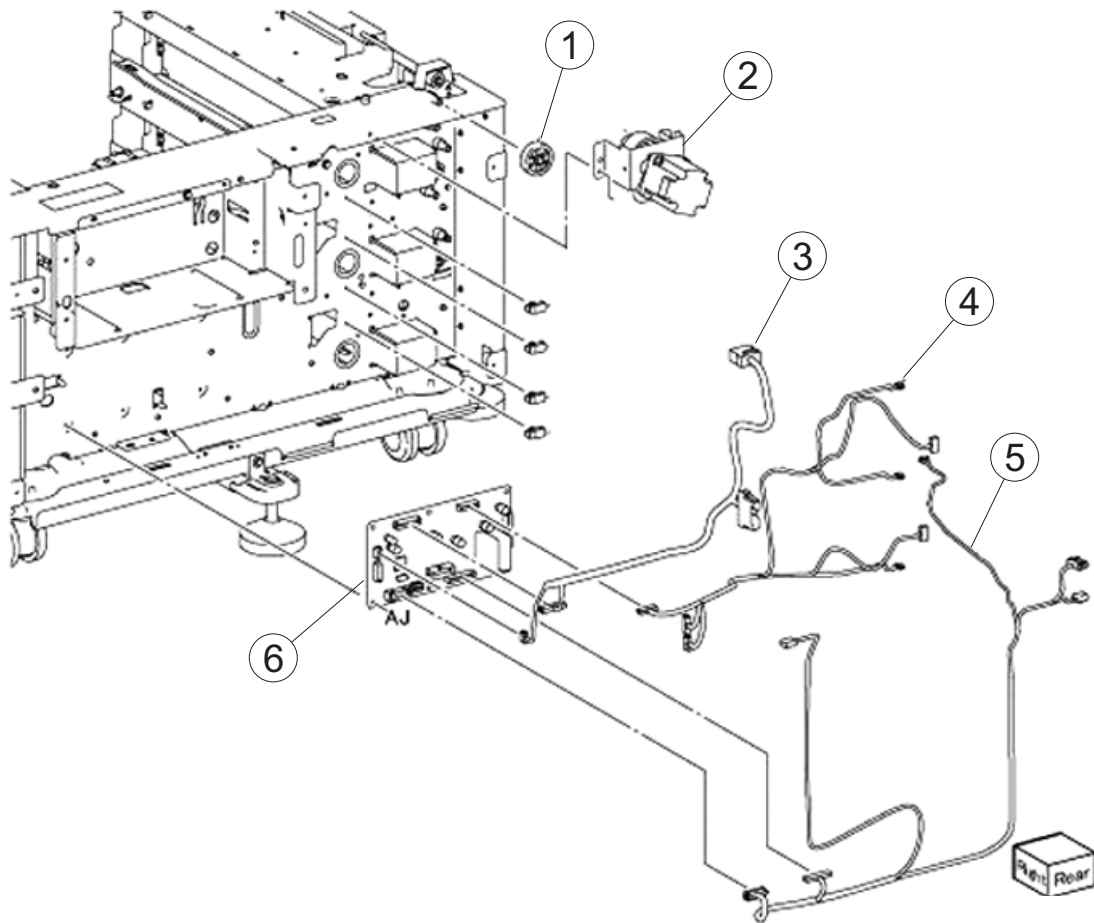
Previous



Next

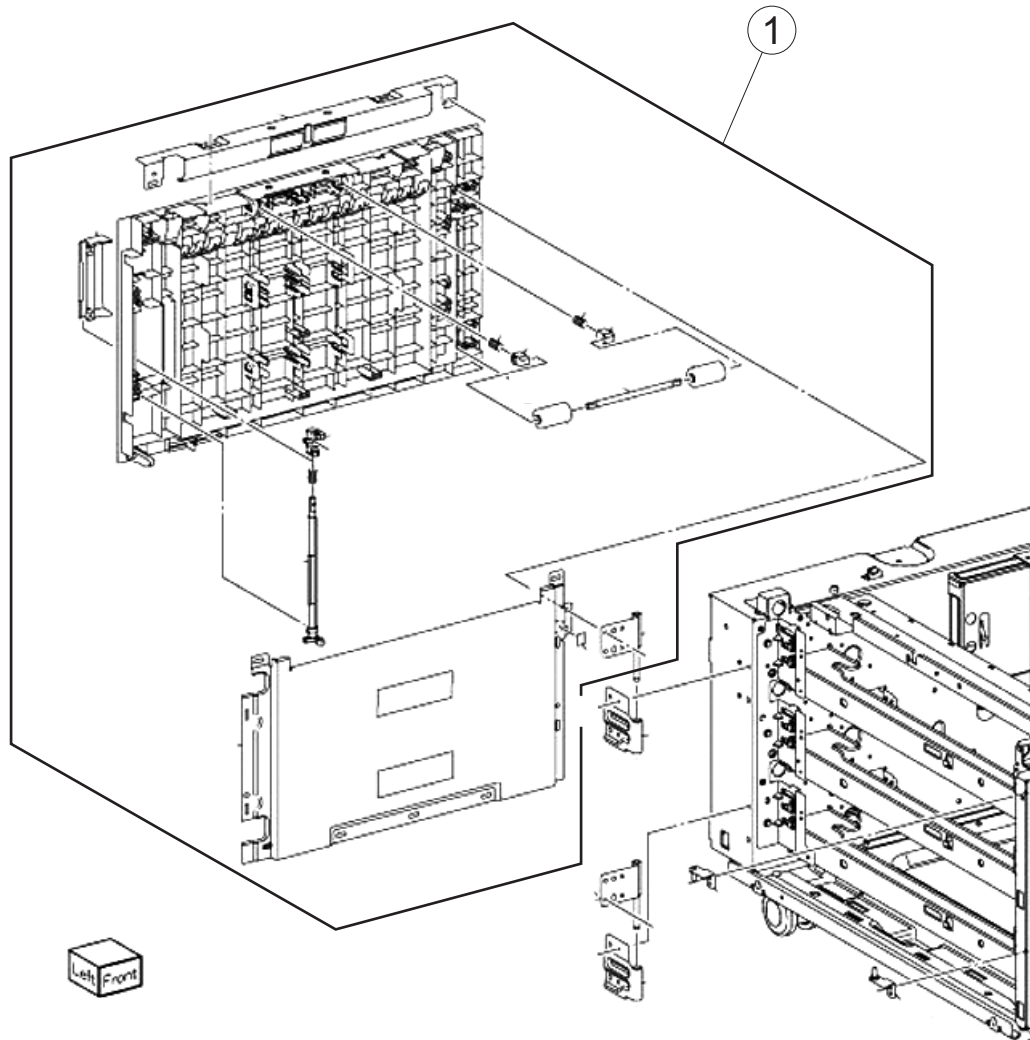


Go Back



Asm-index	Part number	Units/mach	Units/FRU	Description
45-1	40X6668	1	1	3TM 34T gear
2	40X6674	2	1	Tray module upper transport motor
3	40X7370	1	1	1TM interface cable
4	40X7369	1	1	1TM motor cable
5	40X7368	1	1	1TTM sensor cable
6	40X6667	3	1	1TM/3TM/TTM controller PCBA

Assembly 46: 1TM left door



Previous



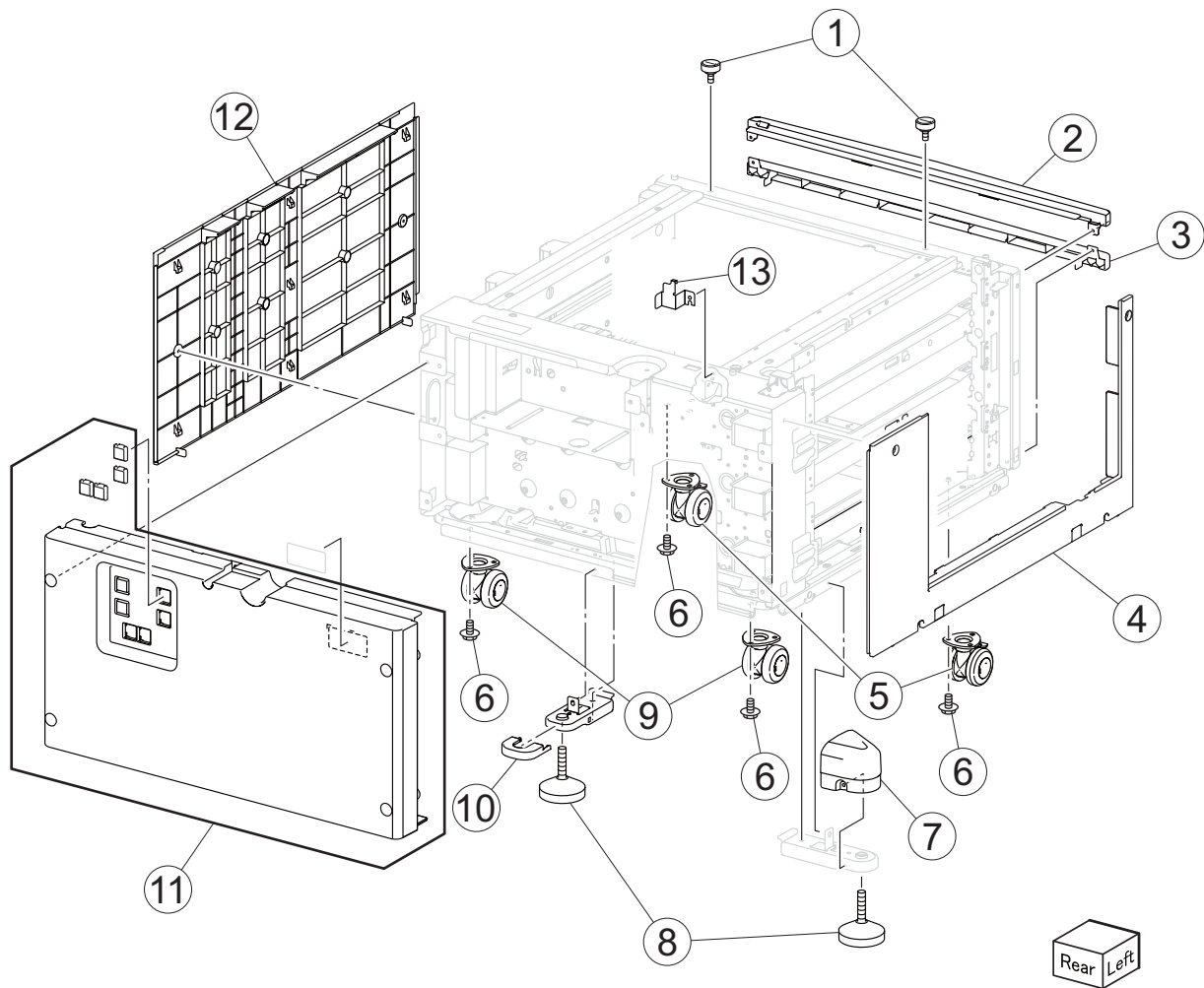
Next



Go Back

Asm-index	Part number	Units/mach	Units/FRU	Description
46-1	40X7371	1	1	1TM left door

Assembly 47: 1TM covers



Previous



Next



Go Back

Asm-index	Part number	Units/mach	Units/FRU	Description
47-1	40X6683	6	2	Docking screw
2	40X6688	3	1	Tray module top cover
3	40X6689	2	1	Tray module bottom cover
4	40X6690	3	1	Tray module left cover
5	40X6685	6	1	1TM/TTM/3TM locking caster
6	40X6583	12	1	1TM/TTM/3TM caster screw
7	40X6681	3	1	1TM/TTM/3TM foot side cover
8	40X6680	6	1	1TM/TTM/3TM adjuster foot
9	40X6686	6	1	1TM/TTM/3TM non-locking caster
10	40X6682	3	1	1TM/TTM/3TM foot rear cover
11	40X6687	3	1	Tray module rear cover
12	40X6691	3	1	Tray module right cover
13	40X6684	3	1	1TM/TTM/3TM docking bracket

Assembly 48: MPF

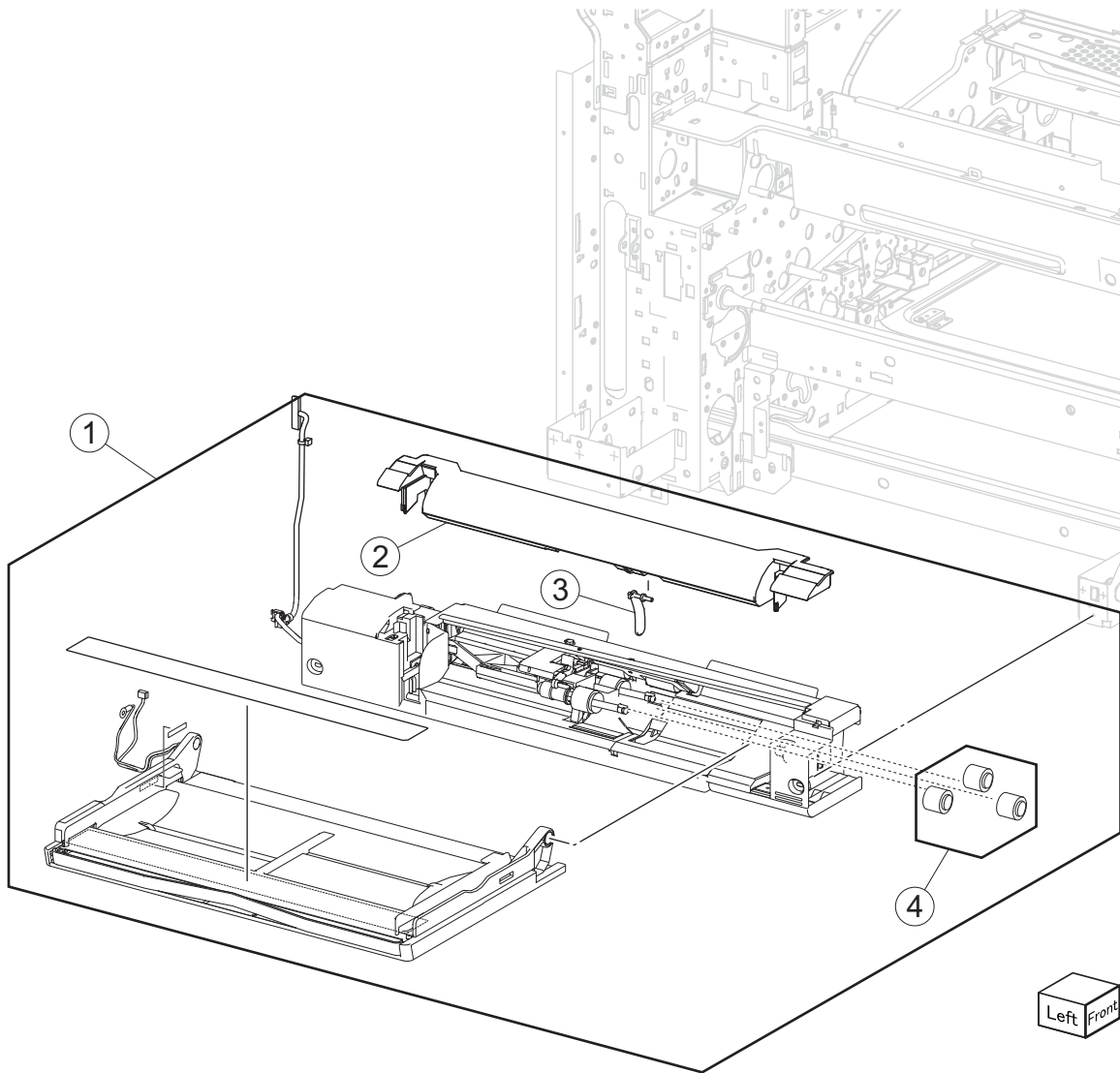
Previous



Next

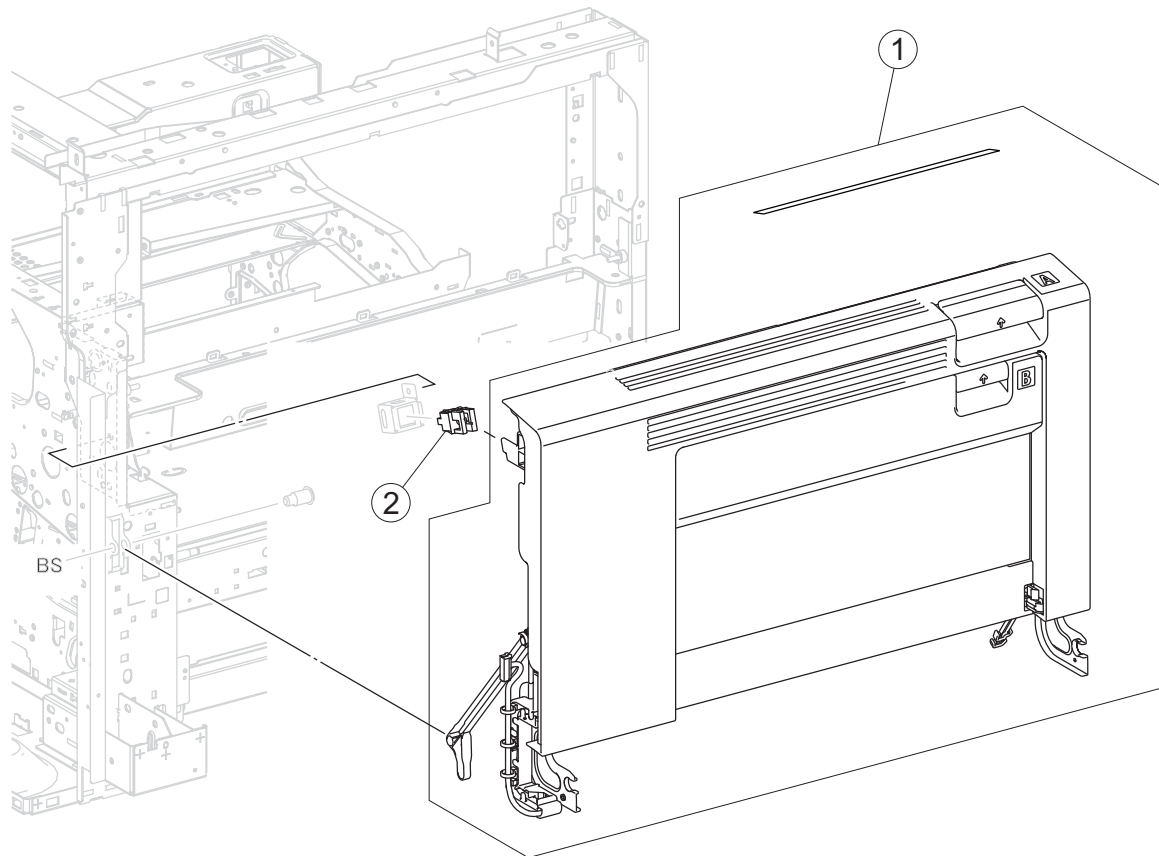


Go Back



Asm-index	Part number	Units/mach	Units/FRU	Description
48-1	40X6707	1	1	MPF tray feeder
2	40X6708	1	1	MPF top cover
3	40X6709	1	1	MPF media present actuator
4	40X7534	1	1	MPF roller kit includes: <ul style="list-style-type: none"> • MPF pick roller • MPF feed roller • MPF separation roller

Assembly 49: Printer left duplex door



Previous



Next



Go Back



Asm-index	Part number	Units/mach	Units/FRU	Description
49-1	40X7372	1	1	Printer left duplex door assembly
2	40X6710	1	1	Sensor (printer left duplex door interlock)

Assembly 50: 2nd transfer roller

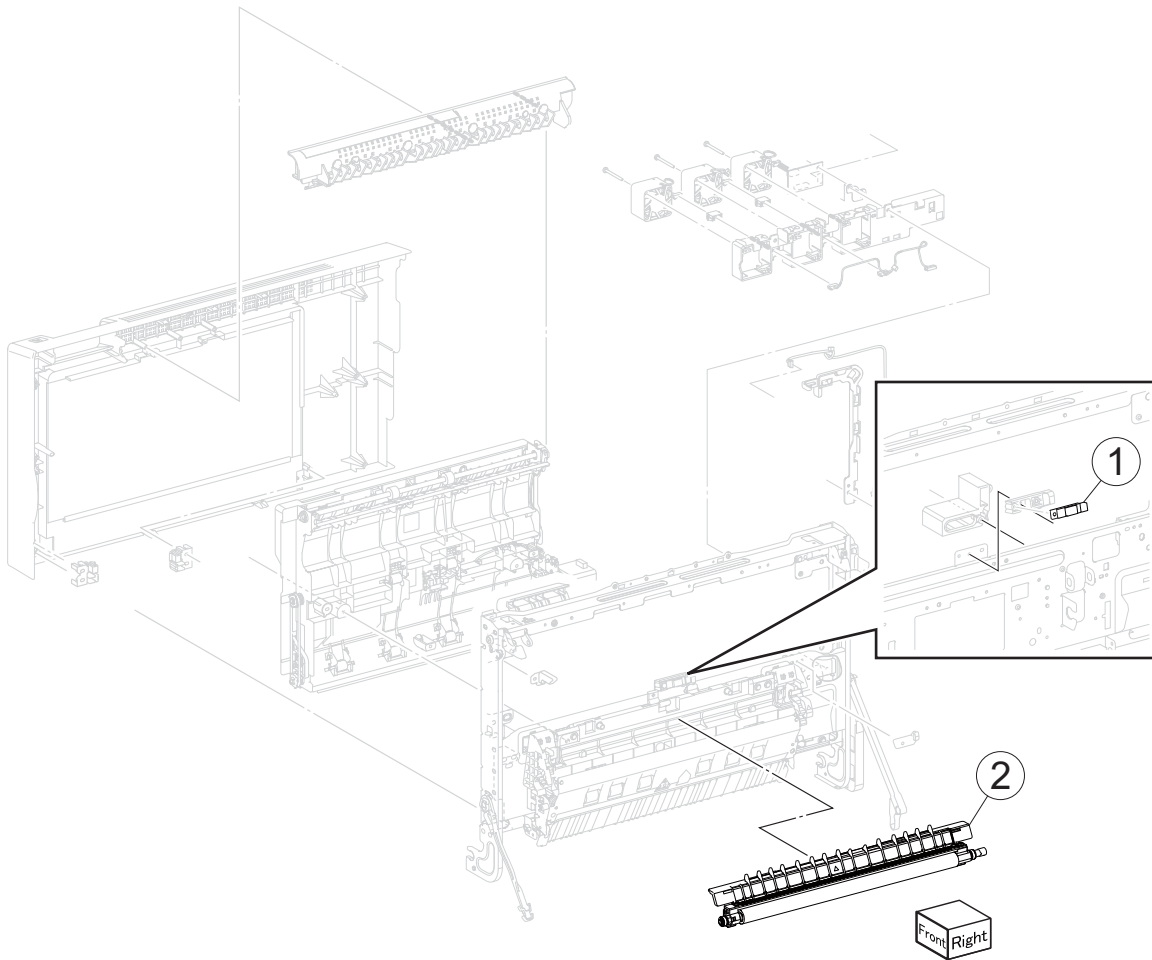
Previous



Next

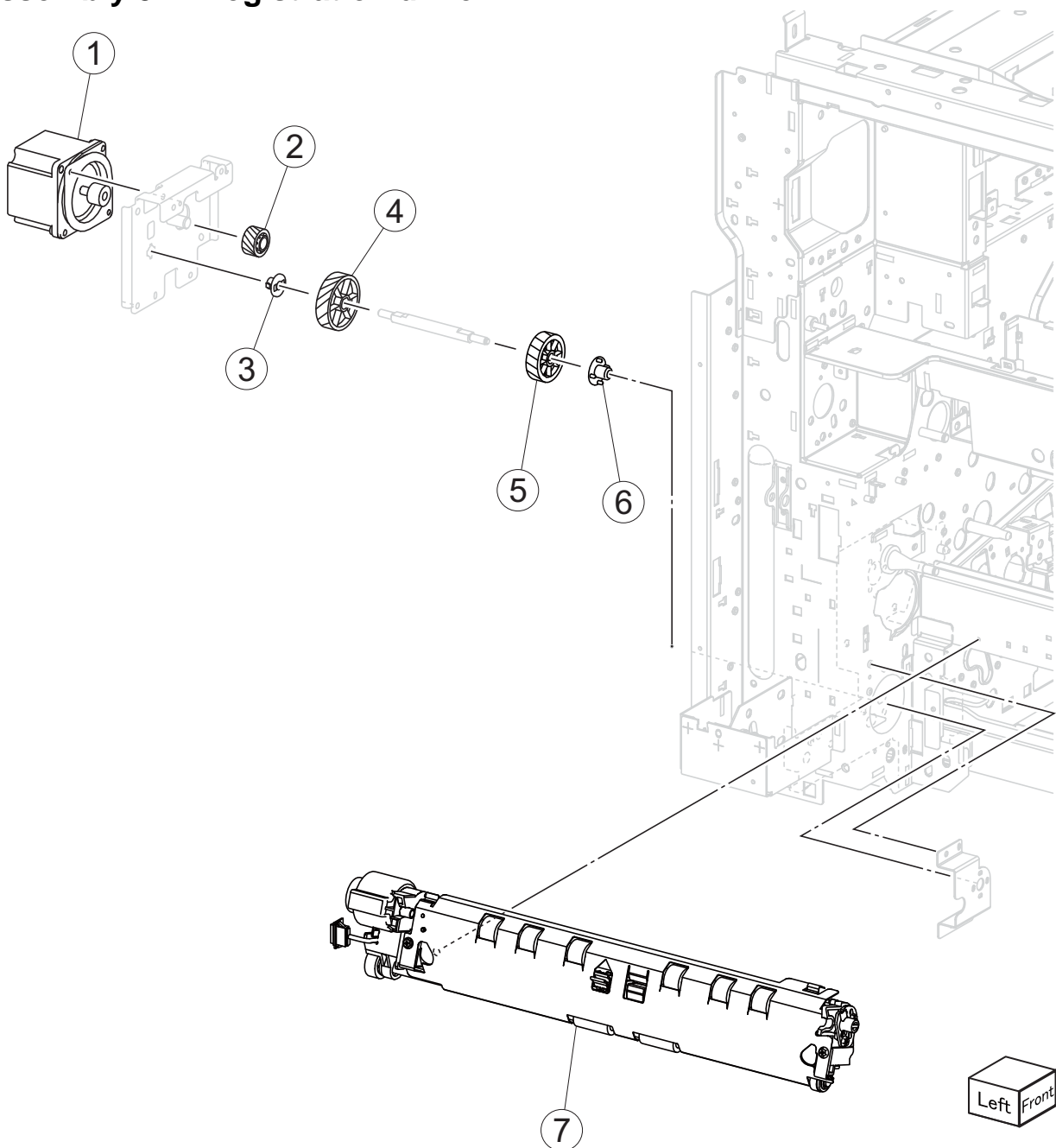


Go Back



Asm-index	Part number	Units/mach	Units/FRU	Description
50-1	40X3703			Sensor (media on belt)
2	40X6712	1	1	2nd transfer roller

Assembly 51: Registration drive



Previous



Next



Go Back

Asm-index	Part number	Units/mach	Units/FRU	Description
51-1	40X6716	1	1	Media transport/MPF drive motor
2	40X6718	1	1	Transport 29T gear
3	40X6717	1	1	Rear bushing
4	40X6719	1	1	Transport 60T gear
5	40X6713	1	1	Registration 40T gear
6	40X6714	1	1	Front bushing
7	40X6715	1	1	Registration/transport roller assembly

Assembly 52: Redrive 1

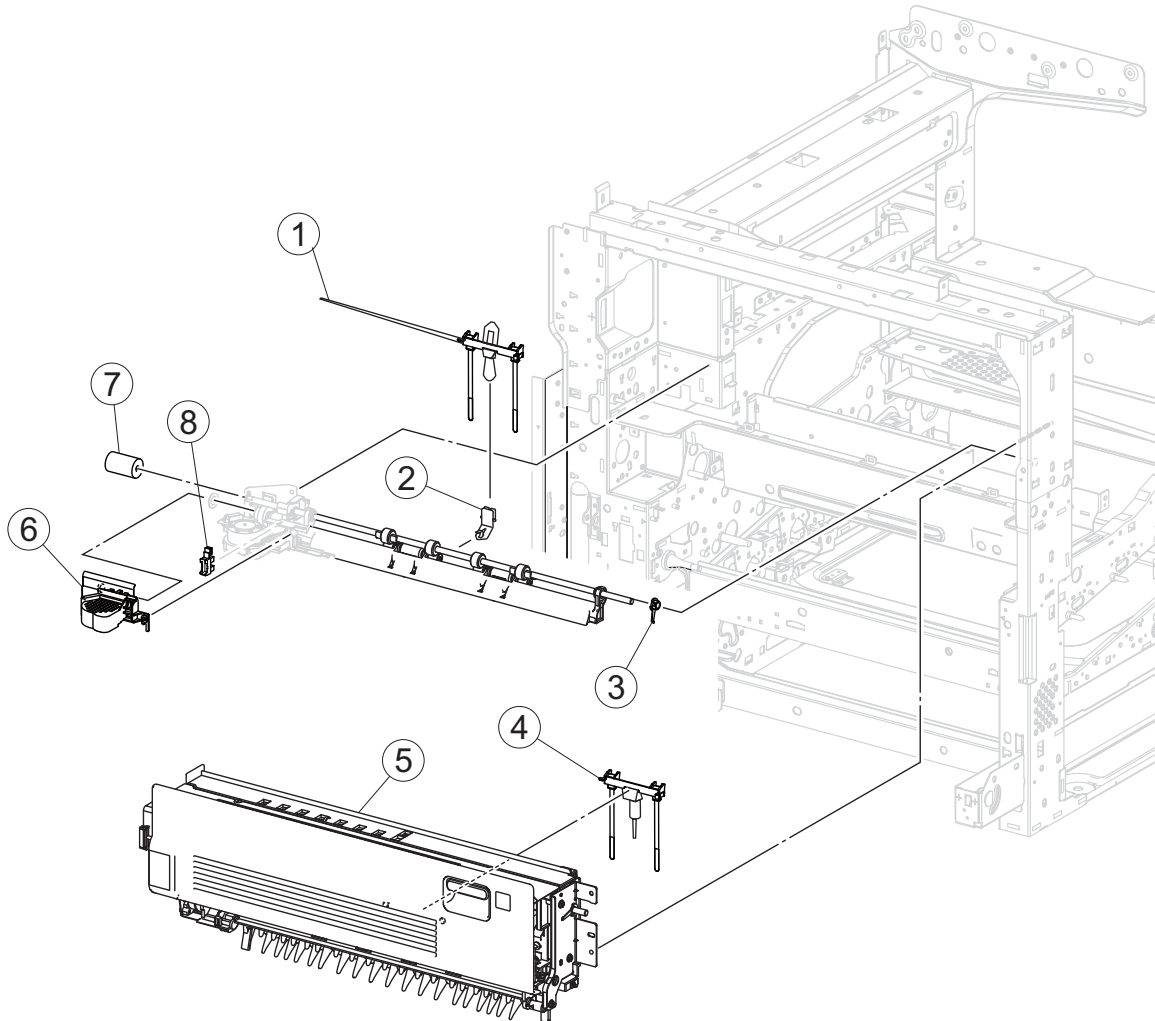
Previous



Next

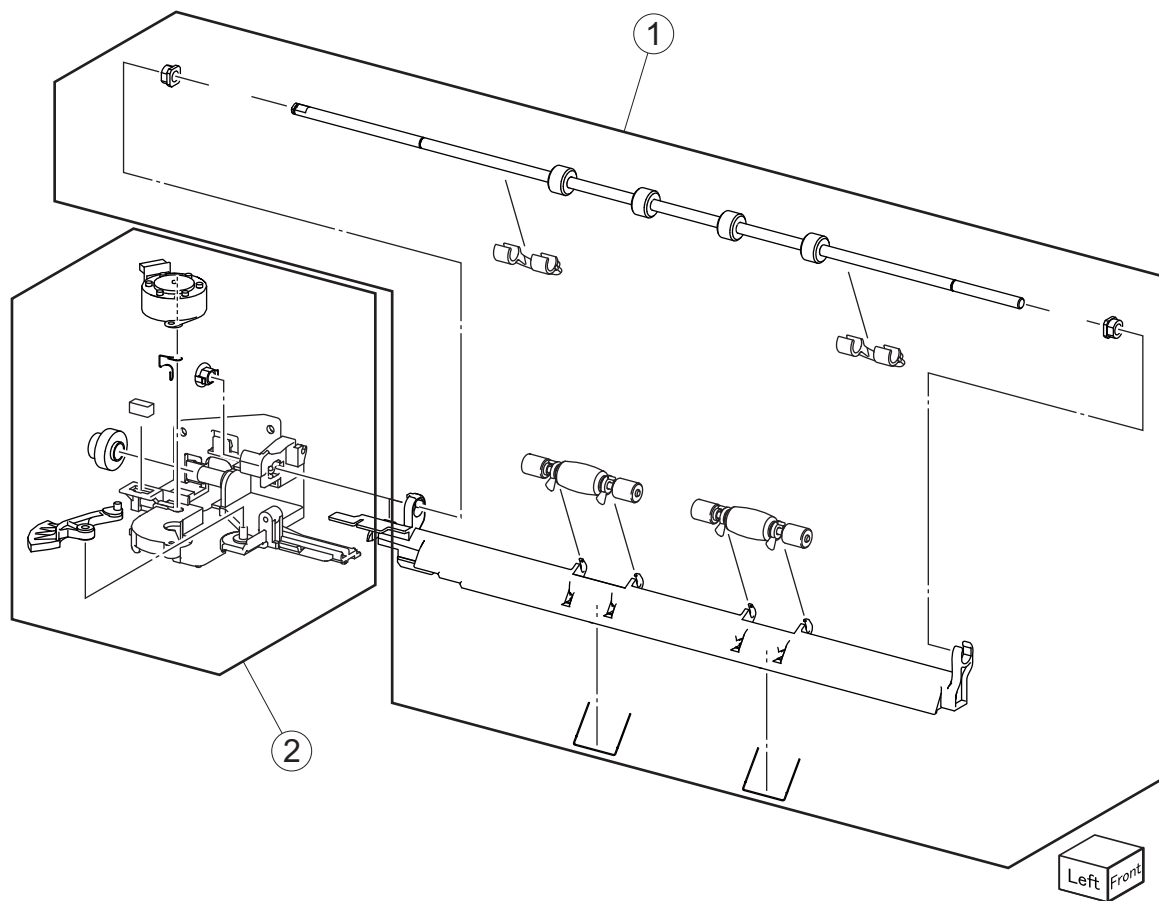


Go Back



Asm-index	Part number	Units/mach	Units/FRU	Description
1	40X0861	1	1	Media bail (standard bin)
2	40X6724	1	1	Lower redrive guard
3	40X6721	1	1	Lower redrive front bushing
4	40X6722	1	1	Media bail (upper internal bin)
5	40X6723	1	1	Upper redrive assembly
6	40X7373	1	1	Plastic motor cover
7	40X6720	1	1	Lower redrive 19T gear
8	40X0588	17	1	Sensor (lower redrive shift HP)

Assembly 53: Redrive 2



Previous



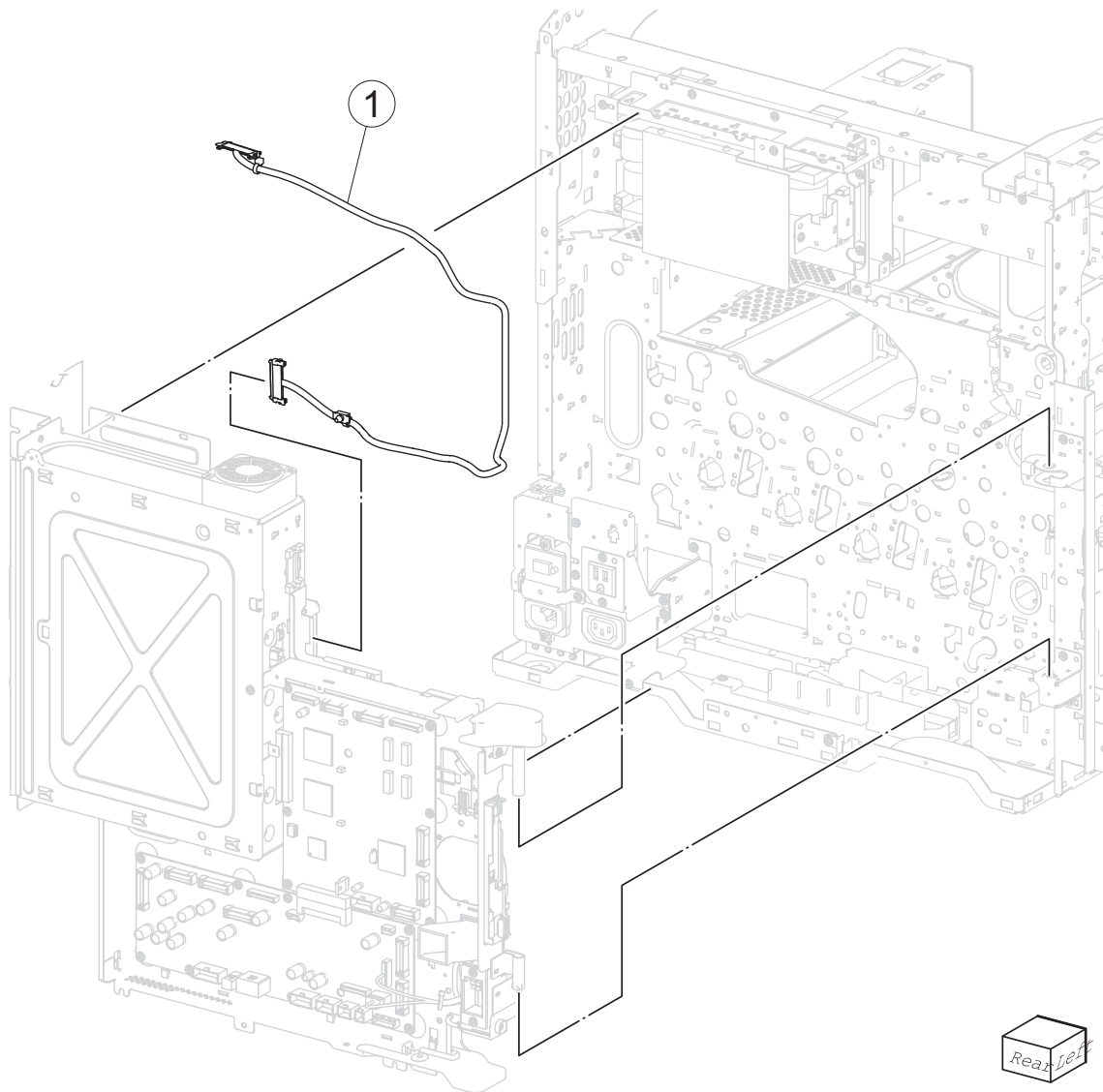
Next



Go Back

Asm-index	Part number	Units/mach	Units/FRU	Description
53-1	40X7472	1	1	Lower redrive shaft assembly
2	40X6725	1	1	Lower redrive shift motor assembly

Assembly 54: Scanner interface cable



Previous



Next



Go Back

Asm-index	Part number	Units/mach	Units/FRU	Description
54-1	40X7468	1	1	Scanner interface cable

Assembly 55: Electrical 1

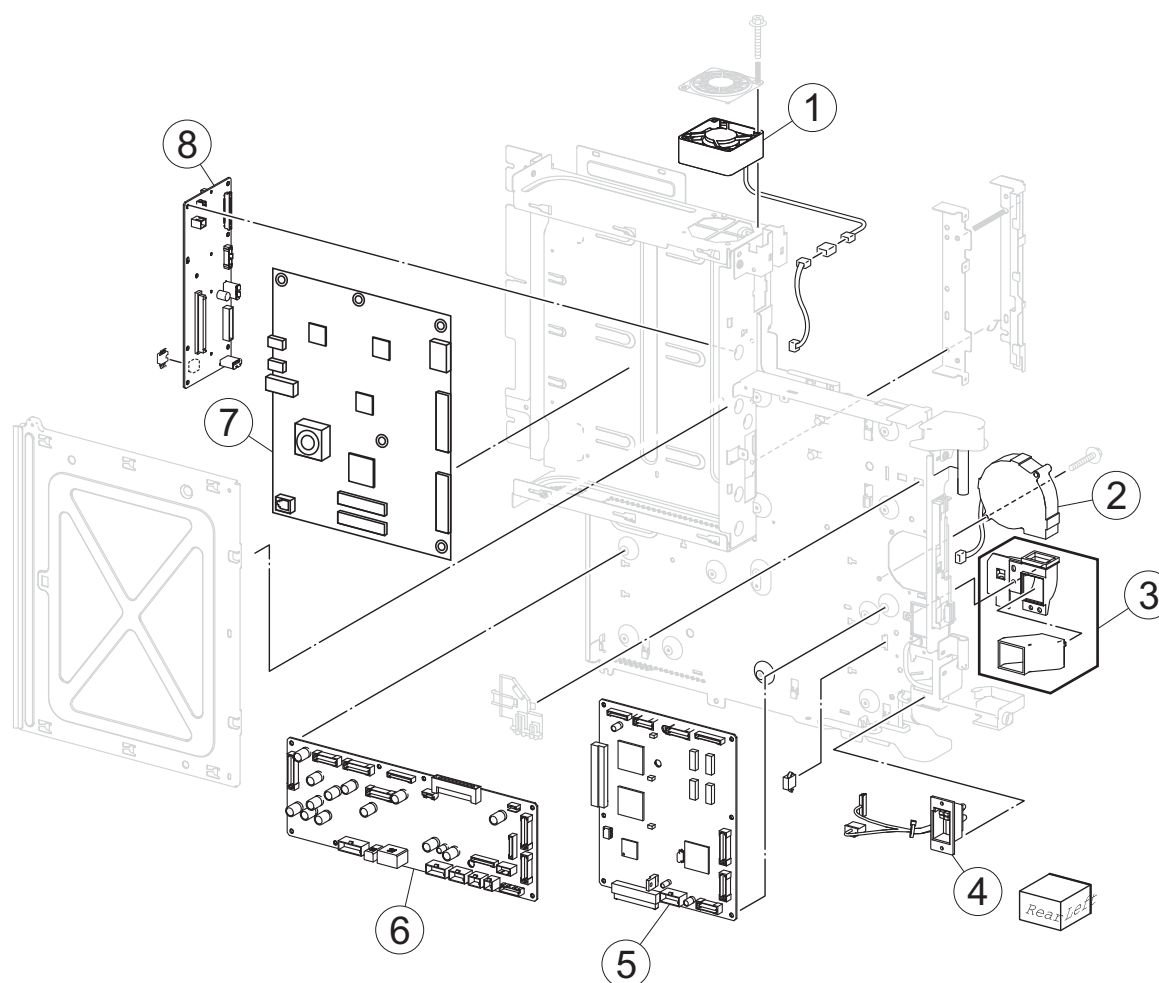
Previous




Next



Go Back



Asm-index	Part number	Units/mach	Units/FRU	Description
55-1	40X6728	1	1	Controller cooling fan
2	40X6729	1	1	Suction fan
3	40X6733	1	2	Suction fan duct
4	40X6732	1	1	HCF interface contact
5	40X6730	1	1	Upper printer engine PCBA
				 Warning: Upon replacement, ensure that the NVM EPROM is removed from the defective PCBA and installed to the new PCBA or damage to the machine may occur. For more details, go to “Upper engine PCBA reinstallation” on page 4-188.
6	40X6731	1	1	Lower engine PCBA
7	40X7500	1	1	RIP card PCBA (MFP)
8	40X7464	1	1	Bridge PCBA (MFP)

Assembly 56: Electrical 2

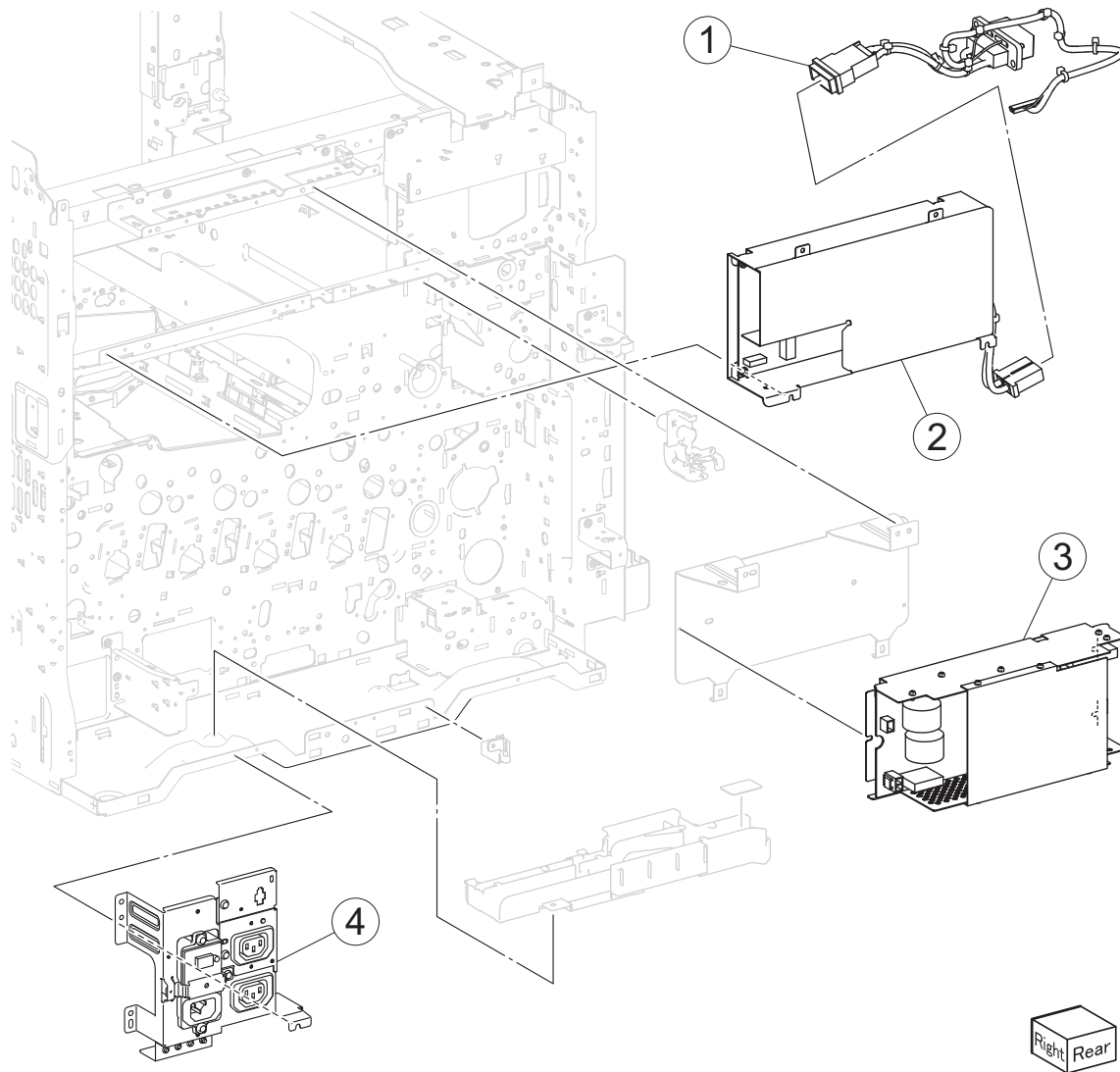
Previous



Next



Go Back



Asm-index	Part number	Units/mach	Units/FRU	Description
56-1	40X6736	1	1	Fuser power contact 110V
1	40X7376	1	1	Fuser power contact 220V
2	40X6735	1	1	Fuser driver PCBA 110V
2	40X7375	1	1	Fuser driver PCBA 220V
3	40X6737	1	1	Sub LVPS PCBA
4	40X6734	1	1	Main power GFI interface 110V
4	40X7374			Main power GFI interface 220V

Assembly 57: Electrical 3

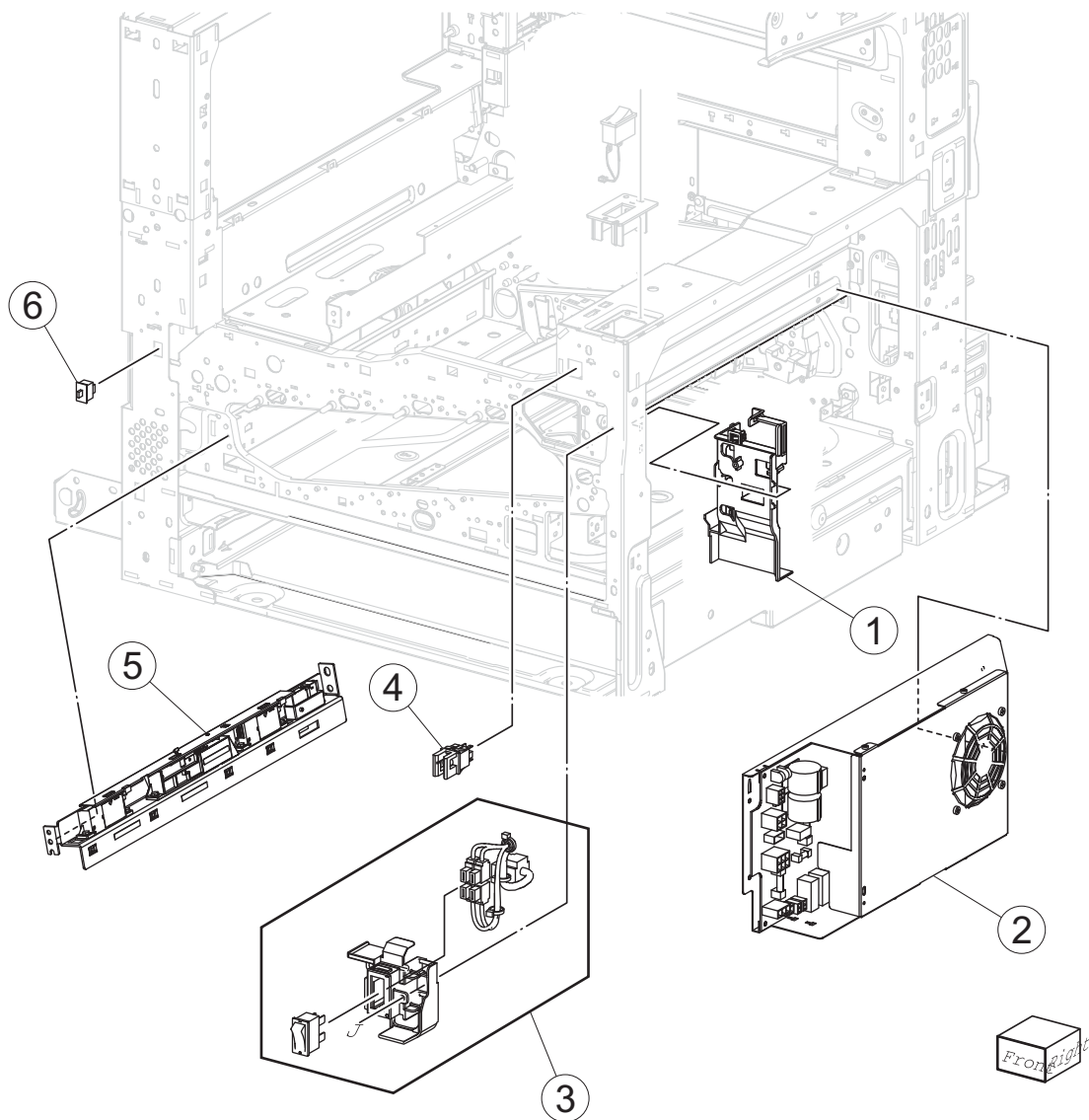
Previous



Next



Go Back



Asm-index	Part number	Units/mach	Units/FRU	Description
57-1	40X6739	1	1	LVPS front fan guide
2	40X6762	1	1	LVPS PCBA
3	40X6738	1	1	Main power switch
4	40X6710	1	1	Sensor (printer right front door interlock)
5	40X6740	1	1	Sensor (Image calibration)
6	40X6761	1	1	Front door sensor

Assembly 58: Electrical 4

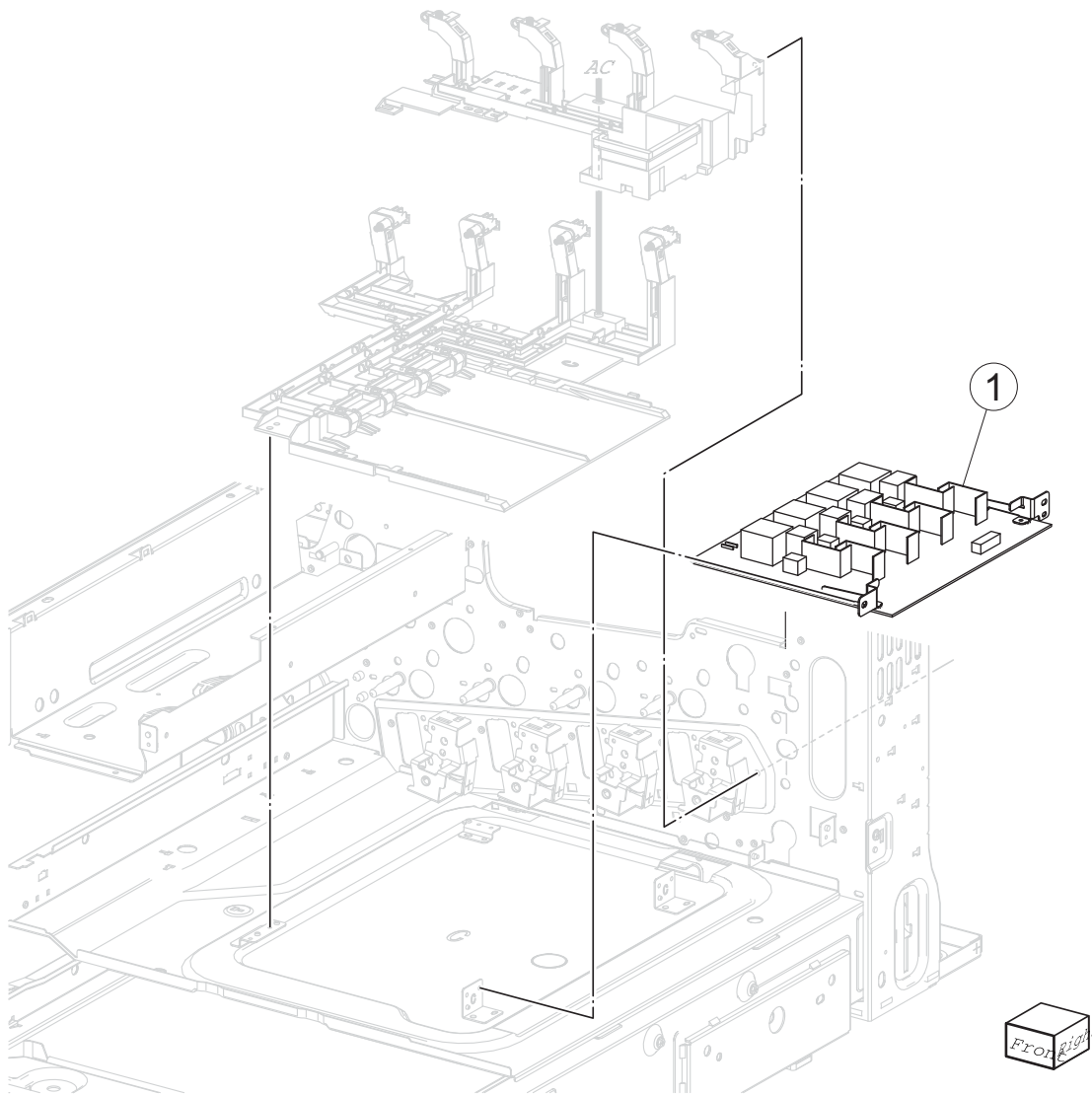
Previous



Next

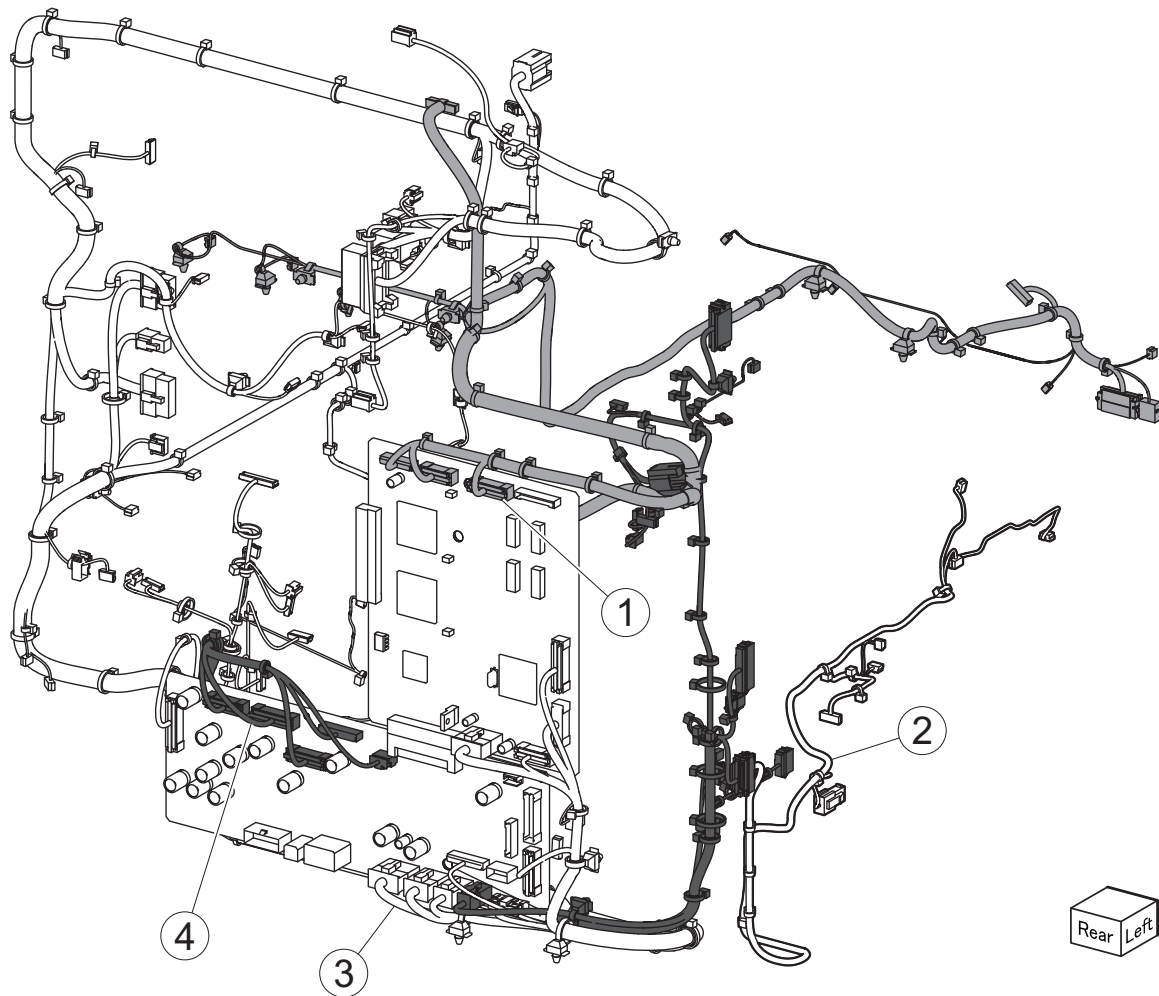


Go Back



Asm-index	Part number	Units/mach	Units/FRU	Description
58-1	40X6763	1	1	Charge roll HVPS PCBA

Assembly 59: Base wiring cables



Previous



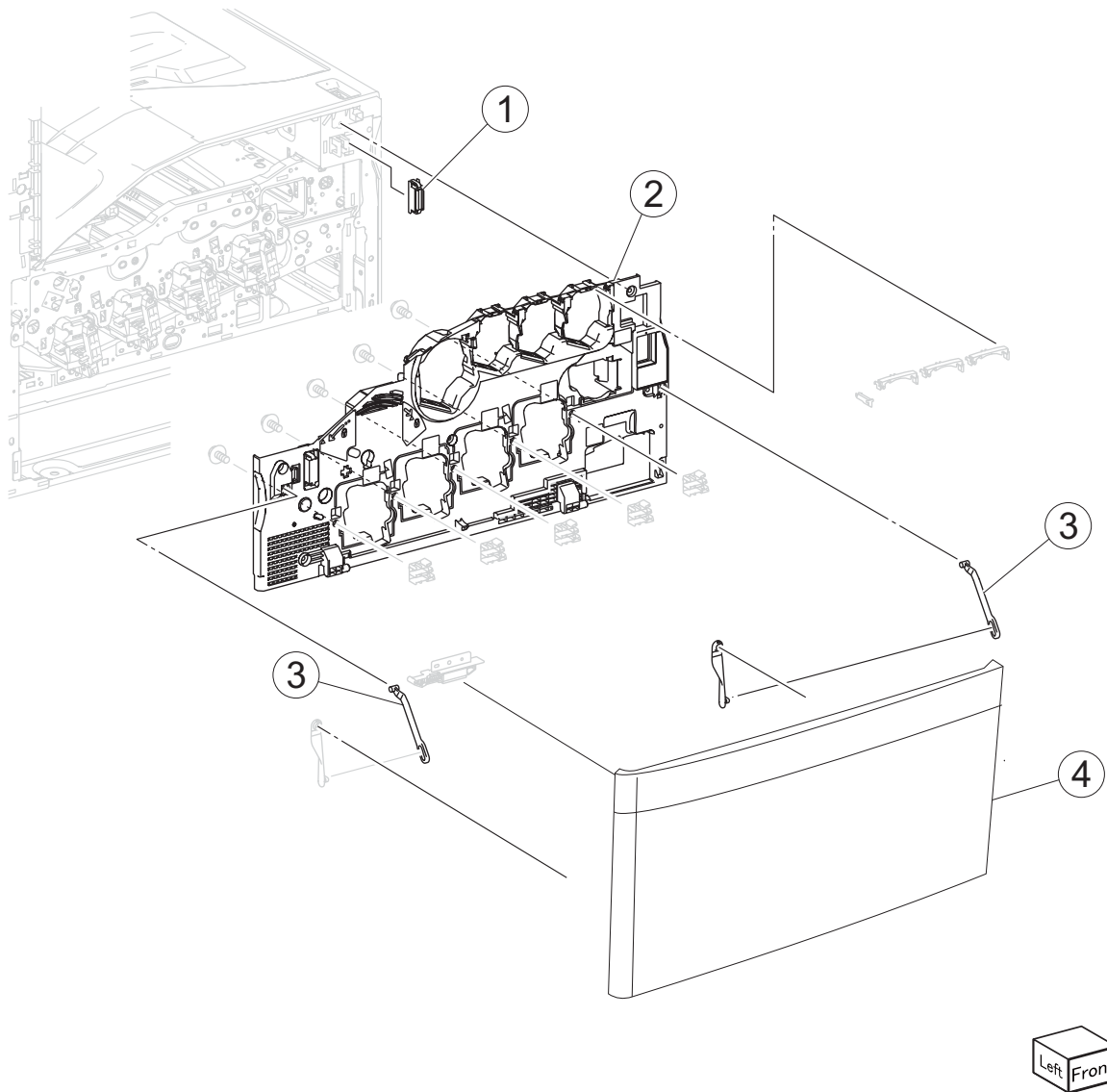
Next



Go Back

Asm-index	Part number	Units/mach	Units/FRU	Description
59-1	40X6766	1	1	Base wiring top cable
2	40X6764	1	1	Base left wiring cable
3	40X6765	1	1	Base right wiring cable
4	40X6767	1	1	Base wiring bottom cable

Assembly 60: Printer covers 1



Previous



Next



Go Back

Asm-index	Part number	Units/mach	Units/FRU	Description
60-1	40X7377	2	1	Magnetic catch
2	40X7381	1	1	Inner cover
3	40X7378	2	1	Printer front door support strap
4	40X7379	1	1	Printer front door

Assembly 61: Printer covers 2

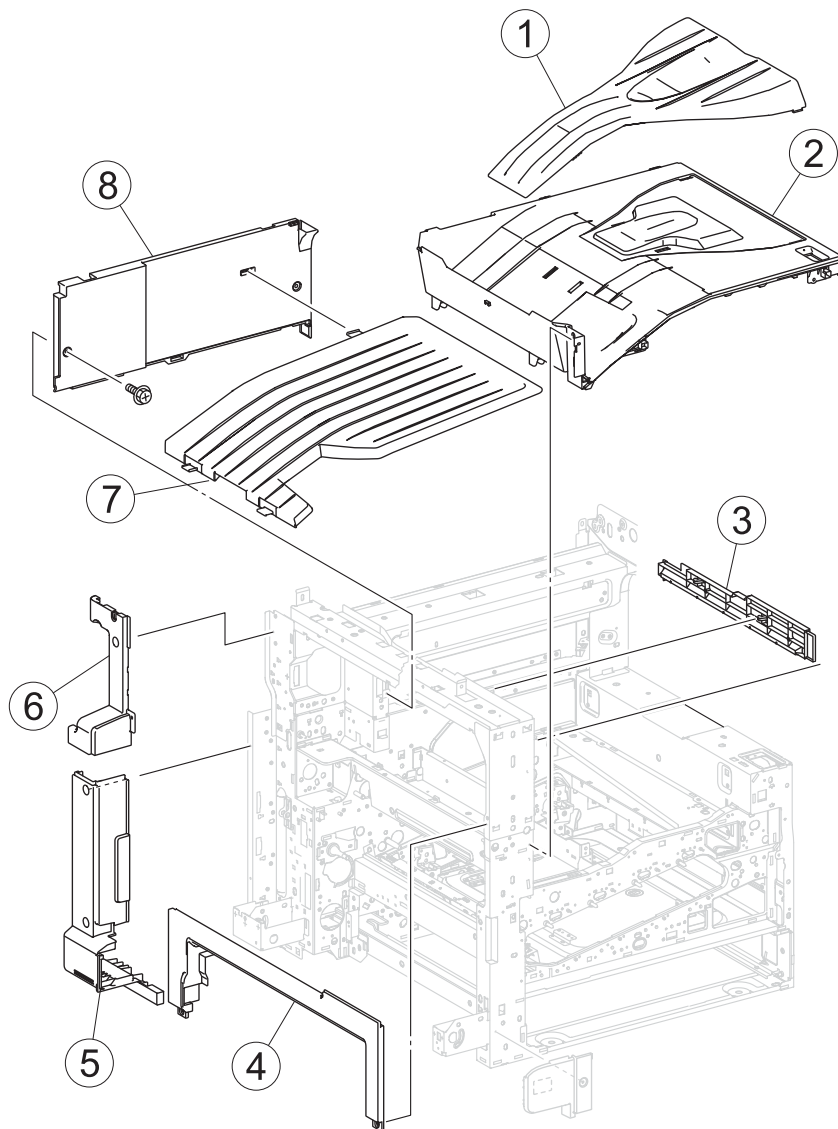
Previous



Next

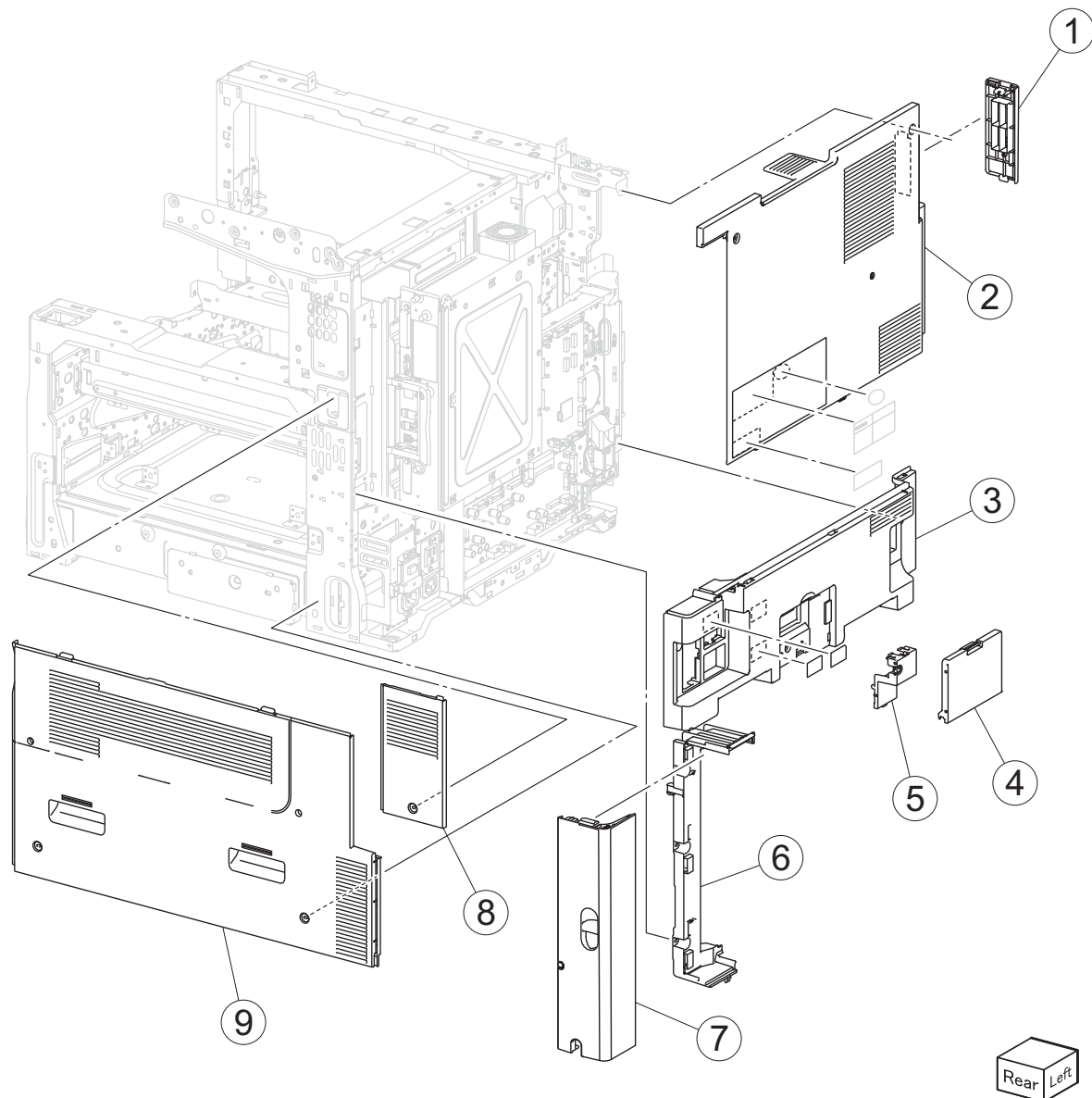


Go Back



Asm-index	Part number	Units/mach	Units/FRU	Description
61-1	40X6772	1	1	Standard bin insert
2	40X6774	1	1	Printer top cover
3	40X6779	1	1	Internal top cover (MFP)
4	40X6777	1	1	Left upper cover (MFP)
5	40X6776	1	1	Left rear lower cover
6	40X6775	1	1	Left rear upper cover (MFP)
7	40X7764	1	1	Upper internal bin
8	40X6780	1	1	Internal rear cover (MFP)

Assembly 62: Printer covers 3



Previous



Next



Go Back

Asm-index	Part number	Units/mach	Units/FRU	Description
62-1	40X6784	1	1	Filter cover (MFP)
2	40X6783	1	1	Rear upper cover (MFP)
3	40X7535	1	1	Rear lower cover
4	40X6785	1	1	Input tray interface cover
5	40X7387	1	1	EPSV cover
6	40X6786	1	1	Controller box cover (MFP)
7	40X6787	1	1	Cable interface door
8	40X6782	1	1	Right rear cover (MFP)
9	40X6781	1	1	Printer right cover

Assembly 63: Finisher—bridge unit

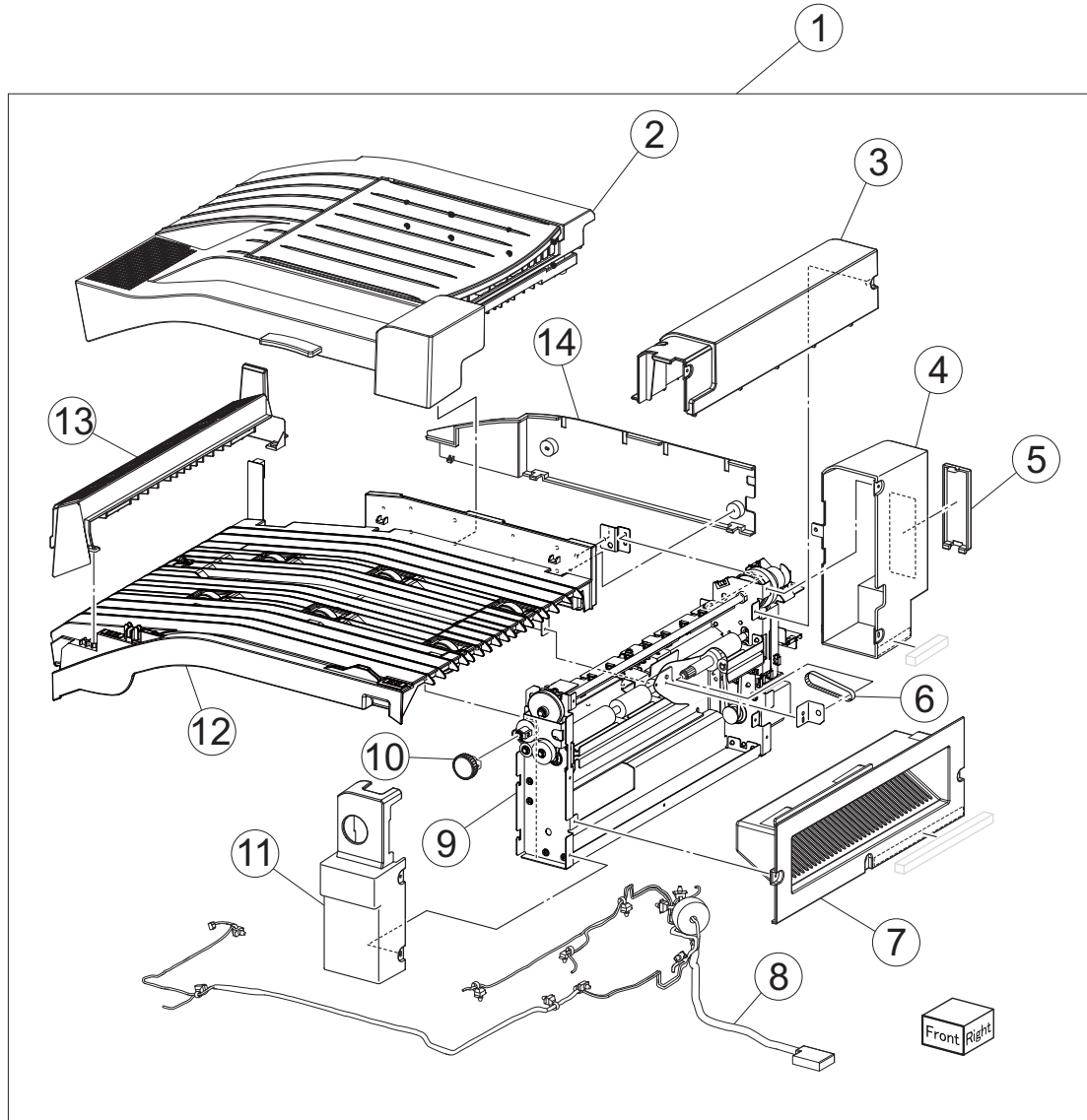
Previous



Next



Go Back



Asm-index	Part number	Units/mach	Units/FRU	Description
63-1	40X6826	1	1	Bridge unit
2	40X6838	1	1	Bridge top door assembly
3	40X6836	1	1	Bridge decurler top cover
4	40X6833	1	1	Bridge decurler rear cover
5	40X7405	1	1	Connector cover
6	40X6830	1	1	Bridge unit small belt
7	40X6835	1	1	Bridge decurler right cover
8	40X6837	1	1	Bridge interface cable
9	40X6829	1	1	Bridge media exit transport
10	40X6827	1	1	Clutch knob
11	40X6831	1	1	Bridge front cover

Assembly 63 (continued): Finisher—bridge unit

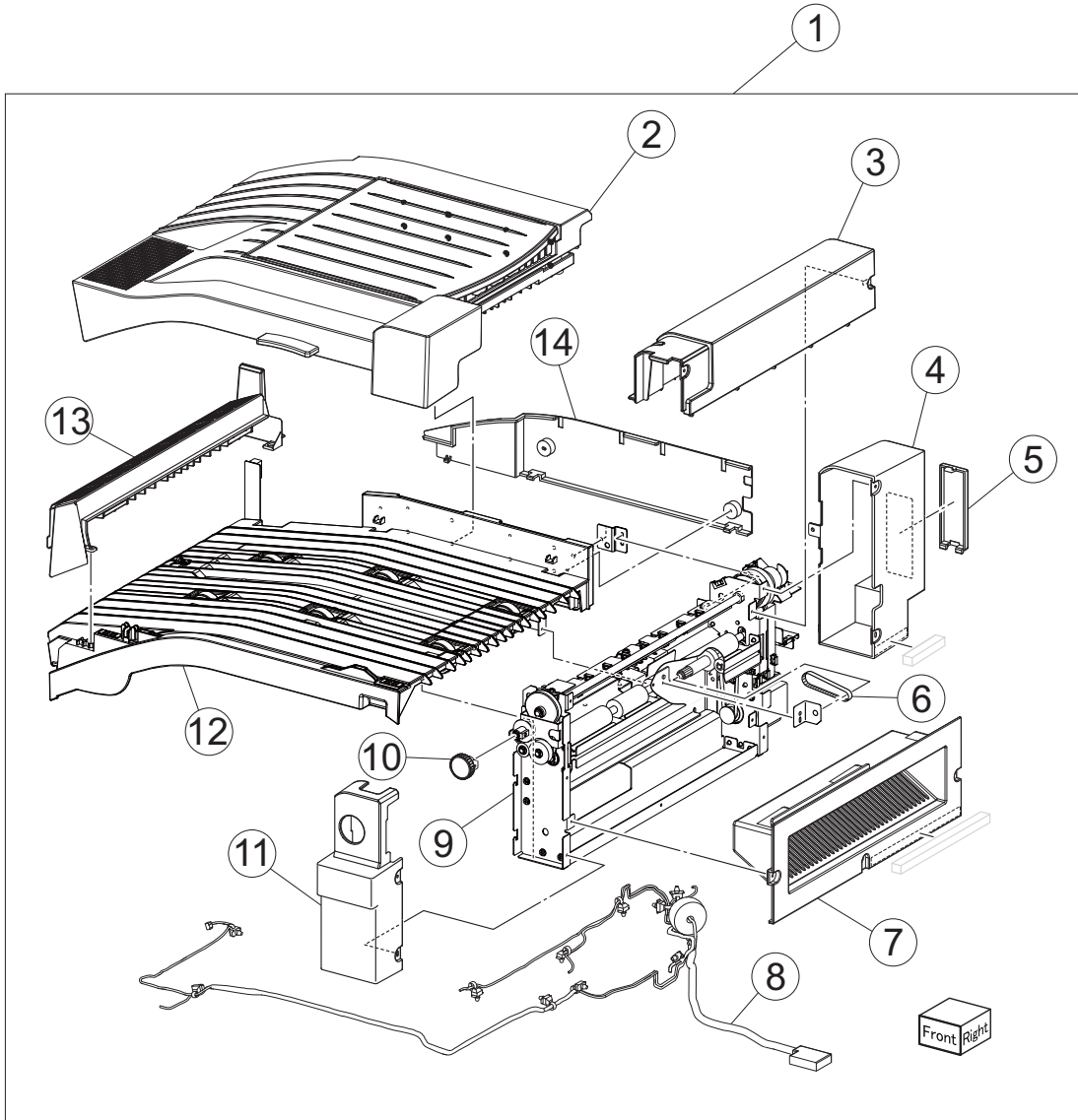
Previous



Next

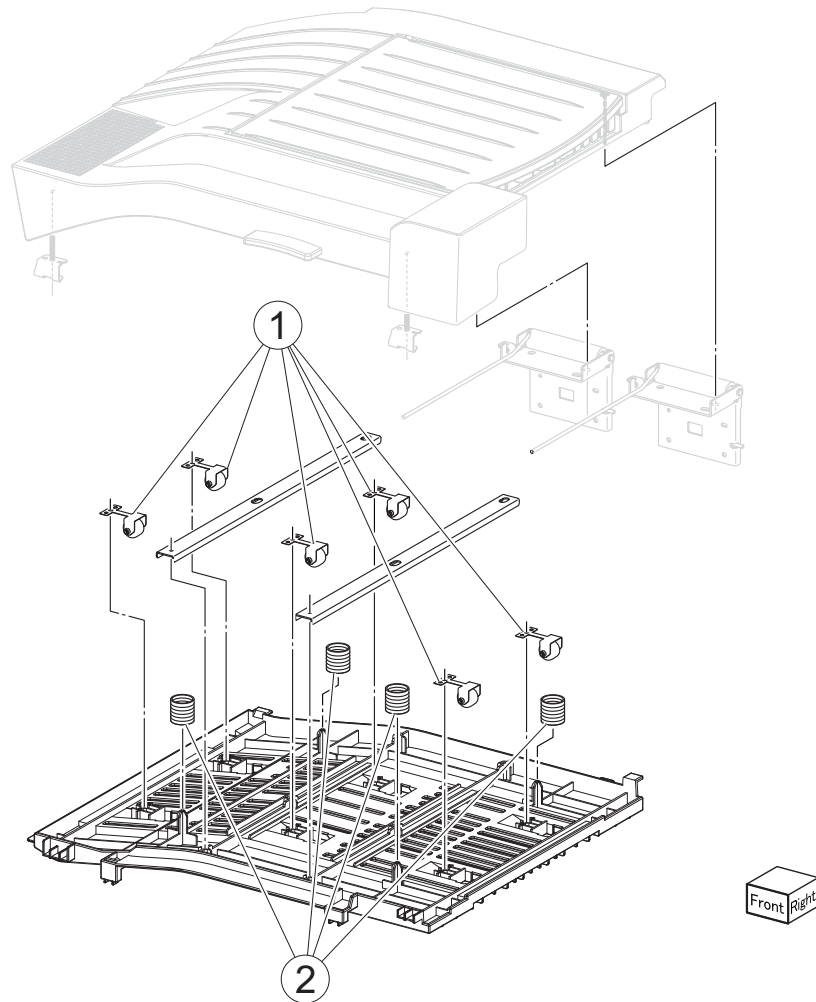


Go Back



Asm-index	Part number	Units/mach	Units/FRU	Description
12	40X7404	1	1	Bridge unit base assembly
13	40X6828	1	1	Bridge entry guide
14	40X6832	1	1	Bridge rear cover

Assembly 64: Finisher—bridge top door assembly



Previous



Next



Go Back

Asm-index	Part number	Units/mach	Units/FRU	Description
64-1	40X0918	6	1	Upper media exit pinch roll
2	40X6839	4	1	Bridge unit top door spring

Assembly 65: Finisher—media drive 1

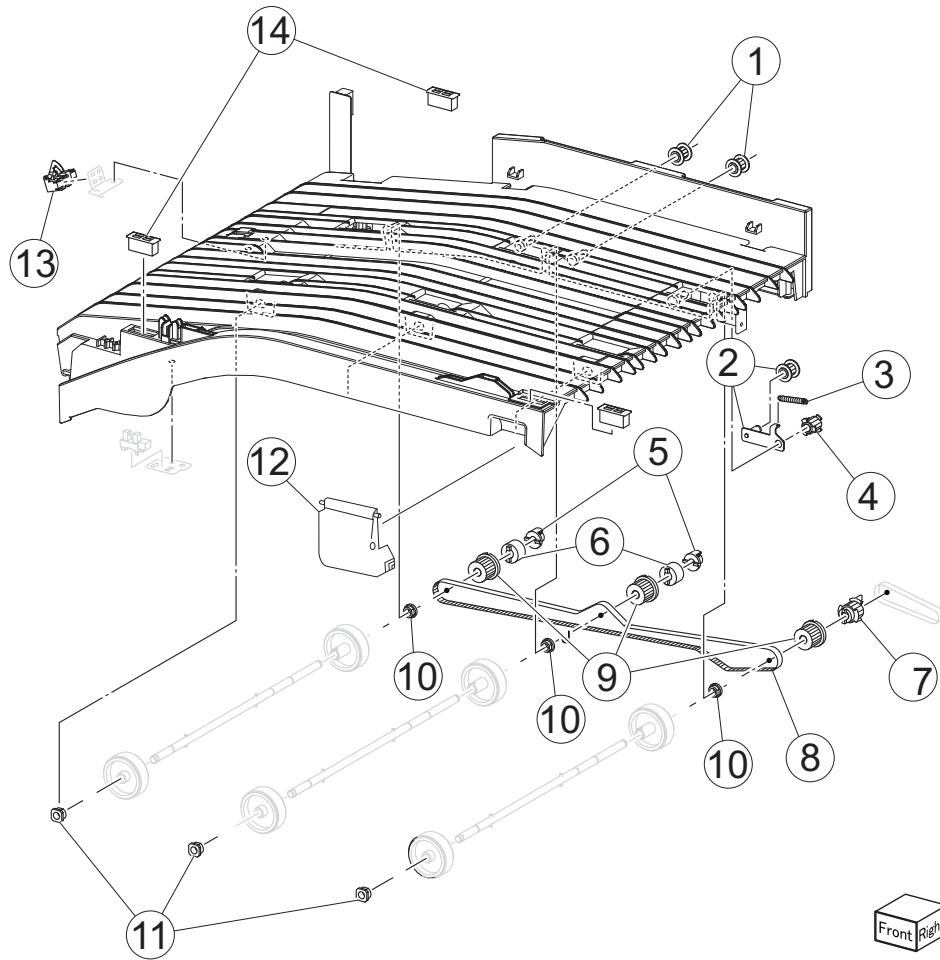
Previous



Next



Go Back



Asm-index	Part number	Units/mach	Units/FRU	Description
65-1	40X4128	2	1	Belt idler pulley
2	40X6844	1	1	Bridge tension bracket
3	40X6845	1	1	Recoil spring
4	40X6840	1	1	Bridge idler pulley
5	40X3963	2	1	Retainer
6	40X3962	2	1	Torque limiter
7	40X6841	1	1	Bridge drive pulley
8	40X7408	1	1	Bridge large drive belt
9	40X6842	3	1	Bridge drive pulley
10	40X7406	3	1	Bushing
11	40X0880	3	1	Plastic bushing
12	40X7409	1	1	Power switch cover
13	40X6843	1	1	Sensor (bridge media entrance)
14	40X0824	2	1	Magnetic catch

Assembly 66: Finisher—media drive 2

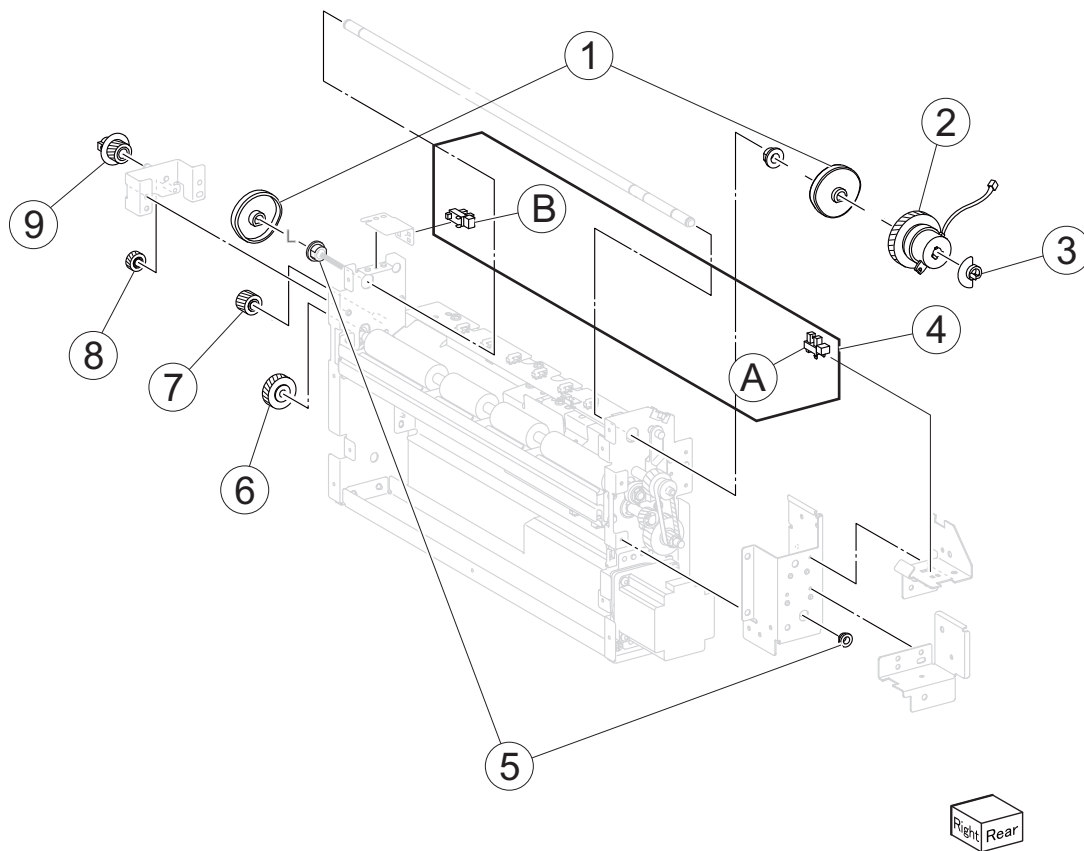
Previous



Next

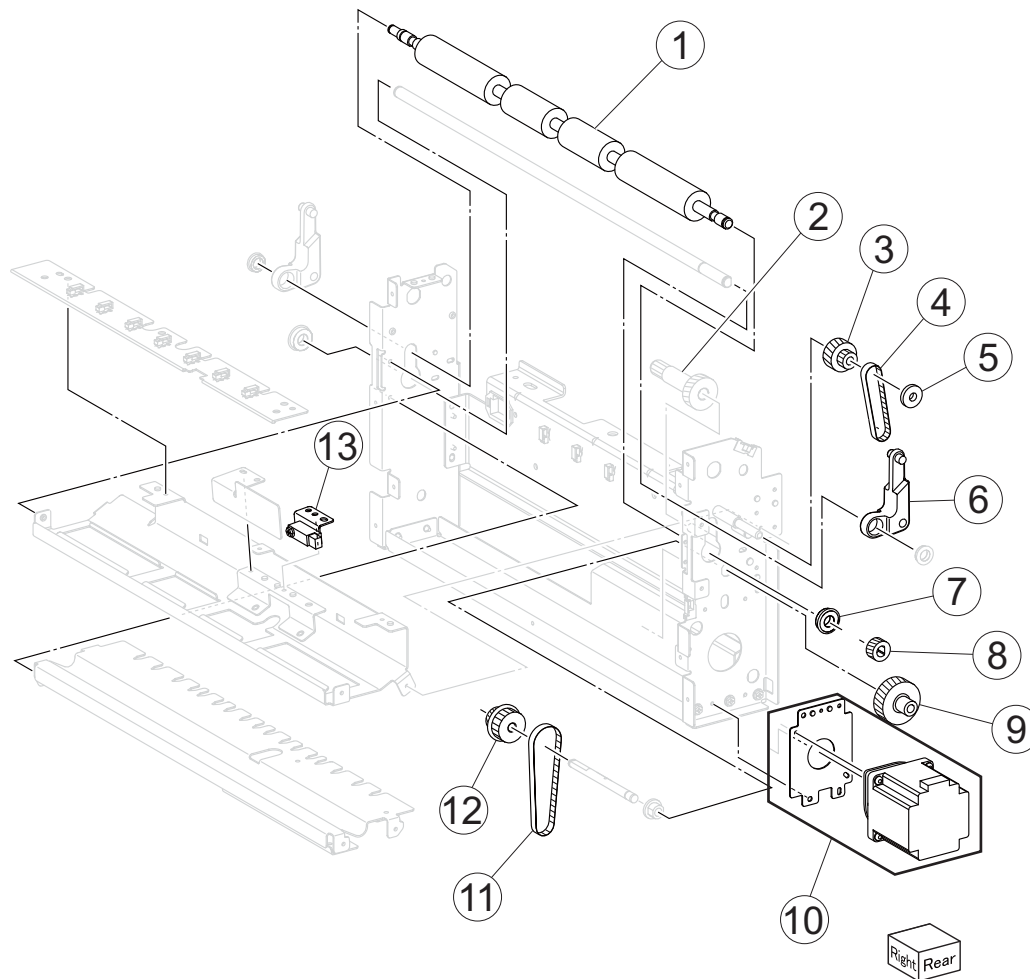


Go Back



Asm-index	Part number	Units/mach	Units/FRU	Description
1	40X6847	1	1	Bridge decurler cam
2	40X6848	1	1	Bridge decurler cam clutch
3	40X3917	1	1	Sensor flag
4	40X0825	3	1	A) Sensor (decurler cam HP) B) Sensor (decurler cover interlock)
5	40X1388	1	1	Bearing
6	40X6111	1	1	Bridge one way gear
7	40X6850	1	1	Bridge gear 18T
8	40X6851	1	1	Bridge gear 16T
9	40X6849	1	1	Bridge knob gear 18T

Assembly 67: Finisher—media drive 3



Previous



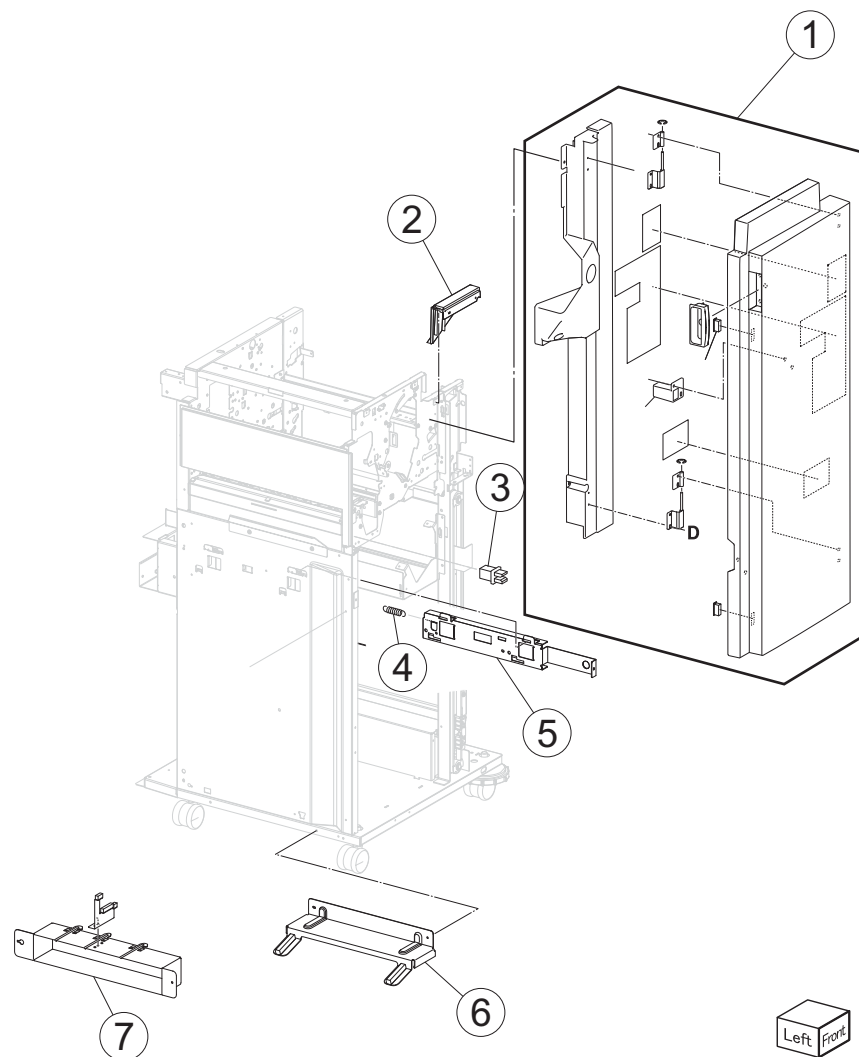
Next



Go Back

Asm-index	Part number	Units/mach	Units/FRU	Description
67-1	40X6854	1	1	Bridge decurler roll
2	40X6859	1	1	Bridge gear 27T/18T
3	40X6858	1	1	Bridge gear 24T/20T
4	40X7413	1	1	Bridge upper drive belt
5	40X7410	1	1	Bridge drive retainer
6	40X6853	2	1	Bridge decurler arm
7	40X1388	2	1	Bushing
8	40X6856	1	1	Bridge gear 16T
9	40X6852	1	1	Bridge gear 36T/18T
10	40X6860	1	1	Bridge drive motor
11	40X7412	1	1	Bridge lower drive belt
12	40X6857	1	1	Bridge gear 18T/36T
13	40X6855	1	1	Sensor (bridge media exit)

Assembly 68: Finisher—covers and front door



Previous



Next



Go Back

Asm-index	Part number	Units/mach	Units/FRU	Description
68-1	40X7415	1	1	Finisher front door assembly
2	40X7414	1	1	Upper media bin front cover
3	40X0840	1	1	Sensor (finisher front door interlock)
4	40X7470	1	1	Spring
5	40X3932	1	1	Finisher dock plate
6	40X7475	1	1	Finisher grounding plate
7	40X7474	2	1	Finisher docking bracket

Assembly 69: Finisher—covers

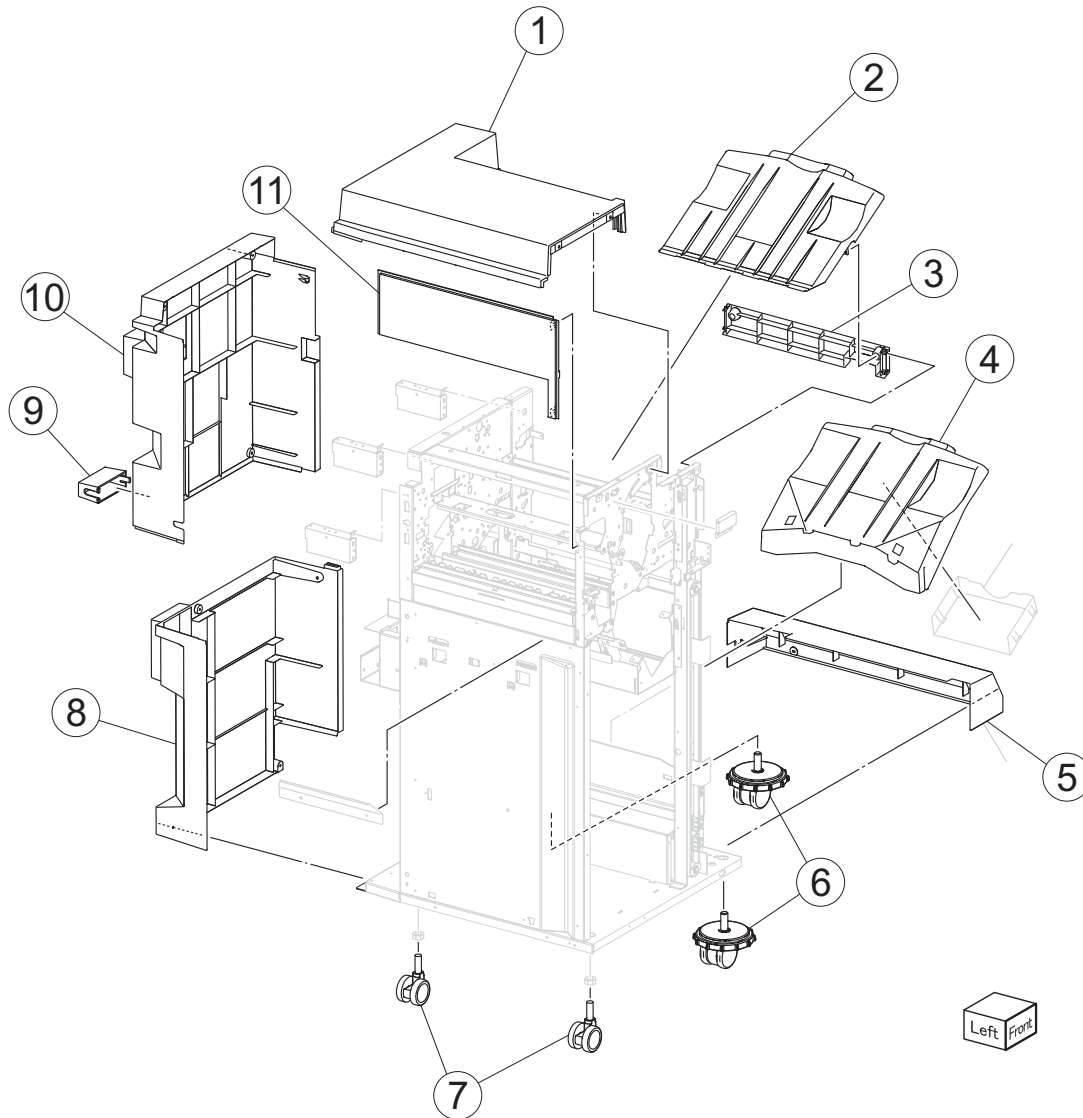
Previous



Next

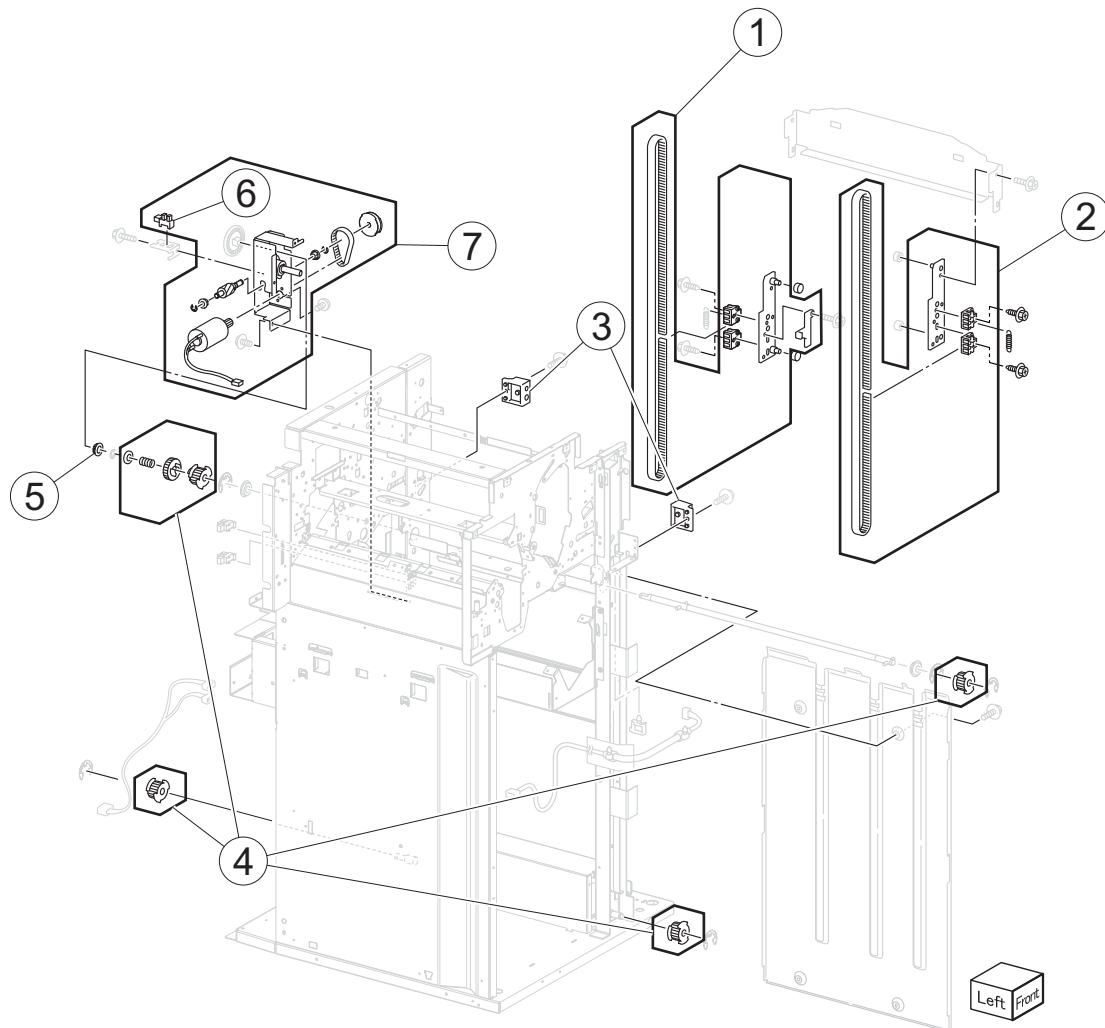


Go Back



Asm-index	Part number	Units/mach	Units/FRU	Description
69-1	40X6862	1	1	Finisher top cover
2	40X7476	1	1	Upper media bin
3	40X7416	1	1	Right eject cover
4	40X7465	1	1	Stacker media bin
5	40X7417	1	1	Finisher bottom cover
6	40X4405	1	1	Adjustable caster
7	40X6664	1	1	Non-adjusting caster
8	40X7418	1	1	Finisher rear lower cover
9	40X7405	1	1	Connector cover
10	40X6864	1	1	Finisher rear upper cover
11	40X7420	1	1	Finisher left upper cover

Assembly 70: Finisher—stacker bin lift



Previous



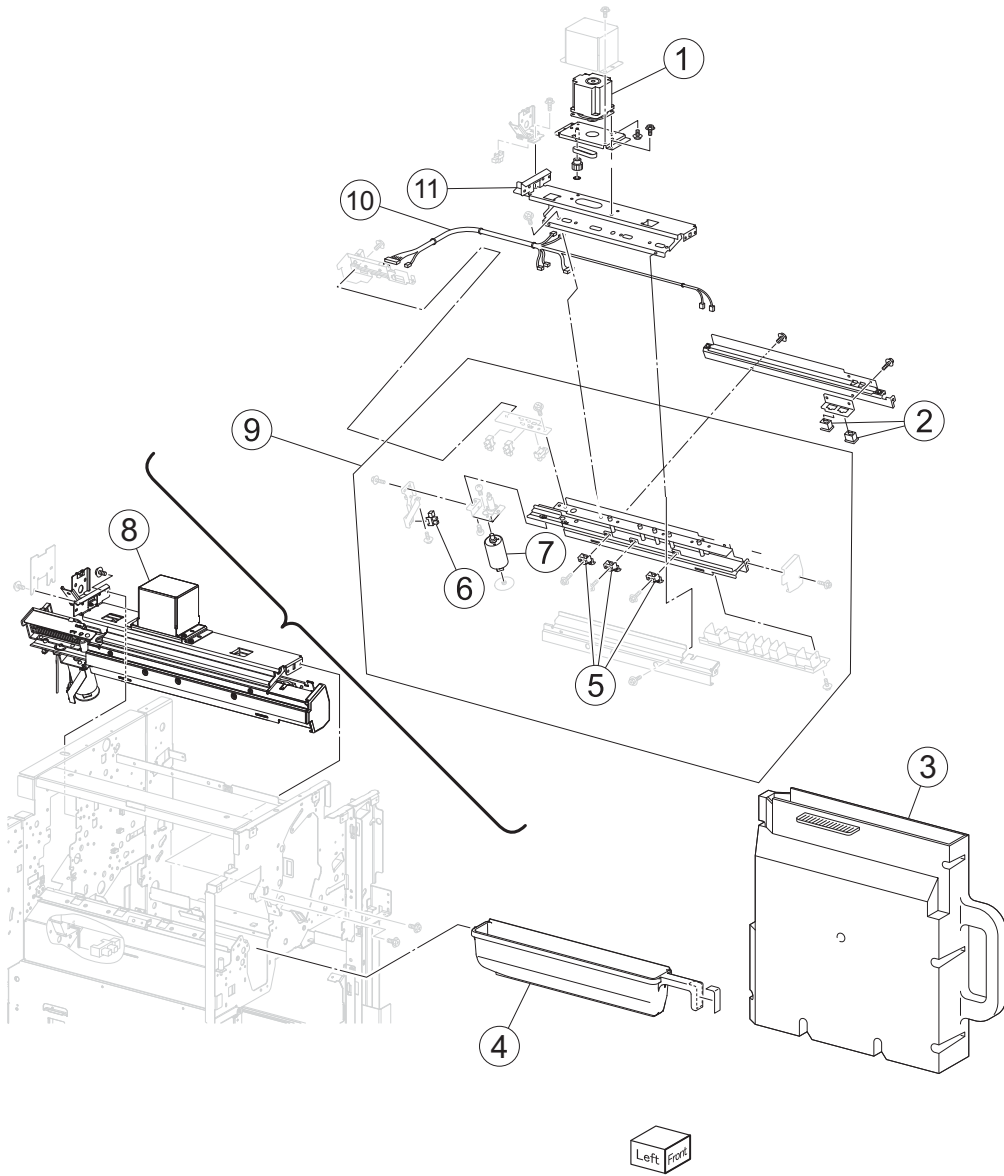
Next



Go Back

Asm-index	Part number	Units/mach	Units/FRU	Description
1	40X4043	1	1	Finisher right lift carriage assembly
2	40X4040	1	1	Finisher left lift carriage assembly
3	40X7421	2	1	Sensor (stacker bin level F)
3	40X7421	2	1	Sensor (stacker bin level R)
4	40X0849	5	1	Stacker slip clutch pulley kit includes: <ul style="list-style-type: none"> • Pulley 18T (3) • Slip clutch pulley 18T • Slip clutch gear 24T • Spring • Washer
5	40X0852	1	1	Bearing
6	40X0850	3	1	Sensor (stacker bin level encoder)
7	40X7477	1	1	Stacker bin lift motor

Assembly 71: Finisher—punch



Previous



Next



Go Back

Assembly 71: Finisher—punch

Asm-index	Part number	Units/mach	Units/FRU	Description
71-1	40X0854	1	1	Punch carriage shift motor
2	40X3905	2	1	Sensor (punch unit side reg 1)
2	40X3905	2	1	Sensor (punch unit side reg 2)
3	40X0862	1	1	Punch waste box
4	40X7537	1	1	Punch waste box bottle
5	40X0859	1	1	Punch unit stopper
6	40X7438	1	1	Sensor (punch unit motor encoder)
7	40X3943	1	1	Punch unit motor
8	40X6865	1	1	3-hole punch unit assembly
8	40X3937	1	1	2-hole punch unit assembly
8	40X7536	1	1	4-hole punch unit assembly
9	40X0857	1	1	2/3 punch hammer sub-assembly
9	40X0858	1	1	2/4 punch hammer sub-assembly
10	40X7422	1	1	Punch unit main cable
11	40X0855	1	1	Punch carriage

Previous

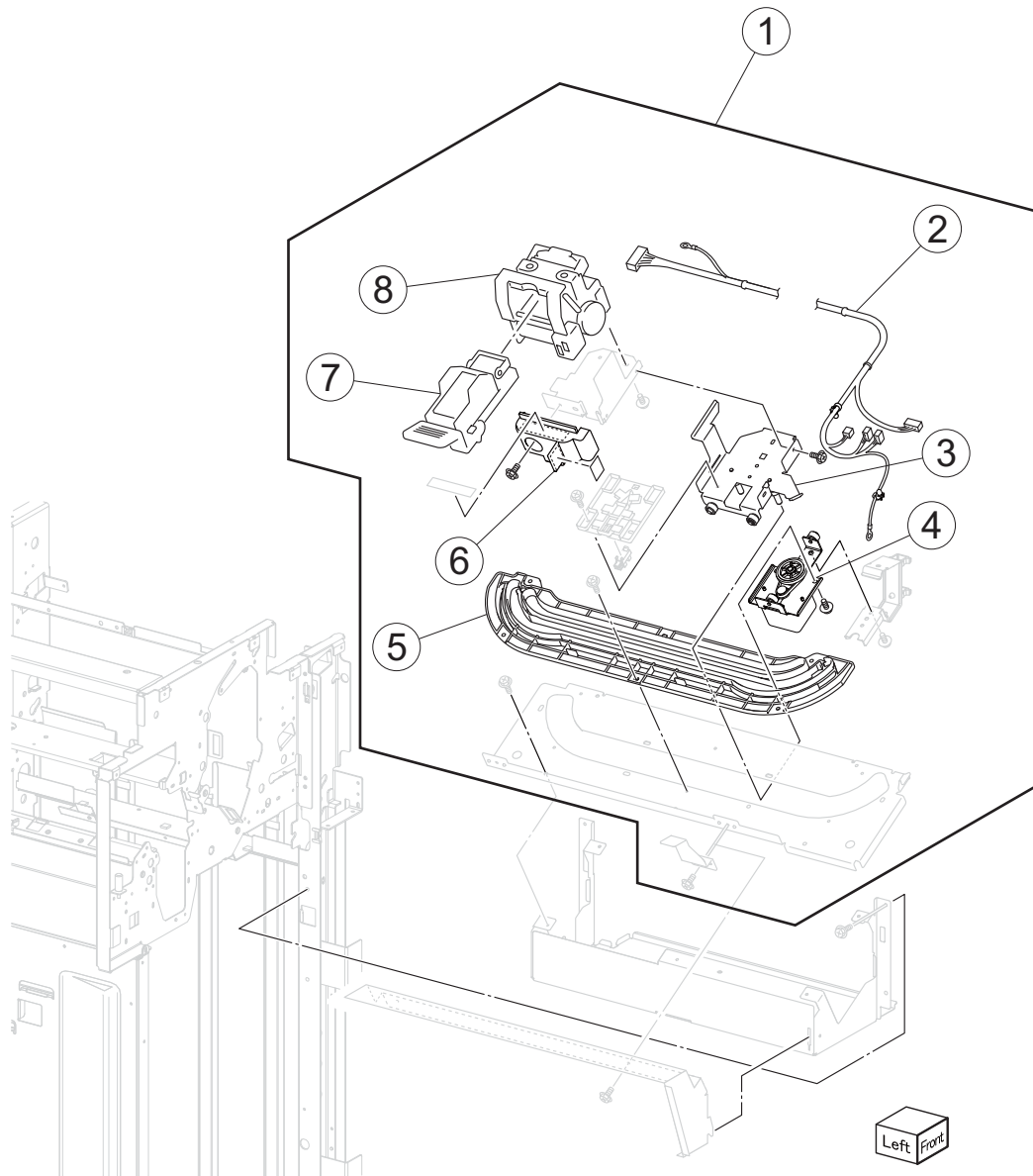


Next



Go Back

Assembly 72: Finisher—stapler



Previous



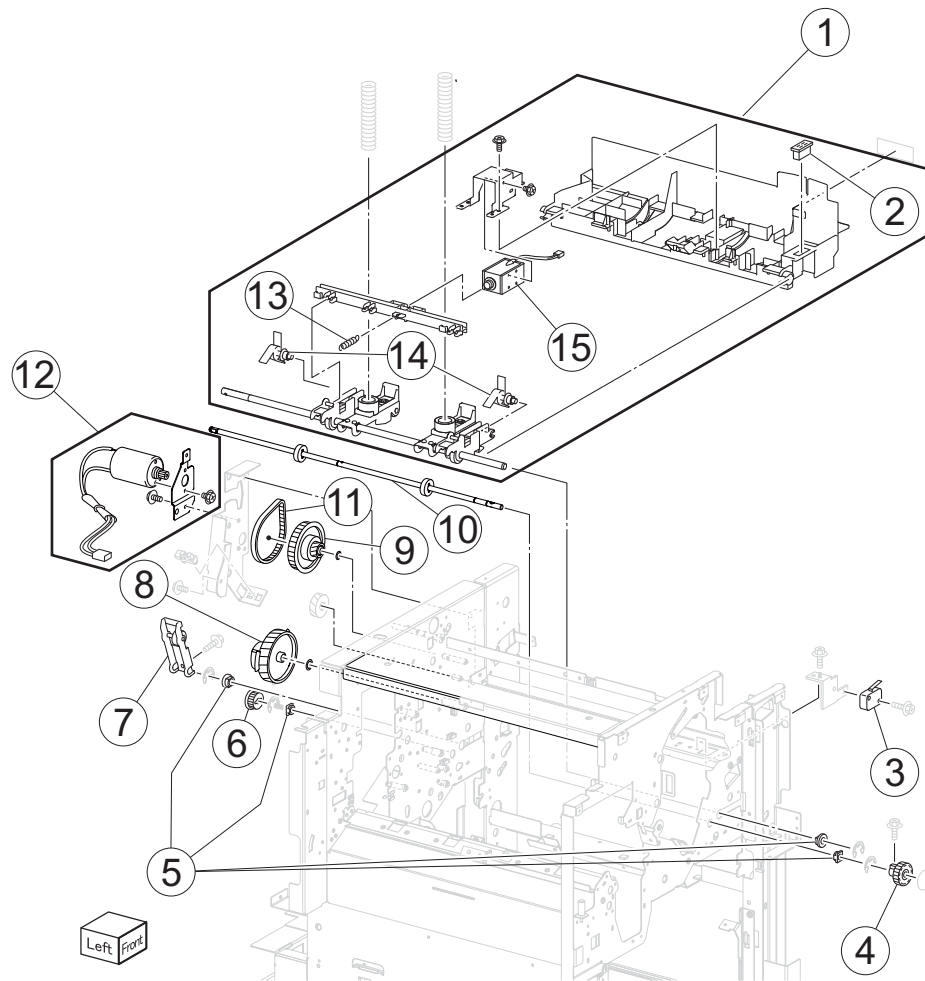
Next



Go Back

Asm-index	Part number	Units/mach	Units/FRU	Description
72-1	40X7561	1	1	Complete stapler
2	40X6867	1	1	Stapler harness
3	40X4050	1	1	Stapler carriage
4	40X7339	1	1	Stapler transport motor
5	40X0872	1	1	Stapler carriage rack gear
6	40X7423	1	1	Stapler unit cover
7	40X0866	1	1	Staple cartridge
8	40X0867	1	1	Stapler unit assembly

Assembly 73: Finisher—media eject



Previous



Next



Go Back

Asm-index	Part number	Units/mach	Units/FRU	Description
73-1	40X7424	1	1	Media eject unit frame
2	40X0824	1	1	Magnetic catch
3	40X0882	1	1	Eject cover interlock switch
4	40X7746	1	1	Knob
5	40X0888	5	1	Bushing
6	40X6868	2	1	Gear 23T
7	40X0877	1	1	Eject clamp lever assembly
8	40X6869	1	1	Cam pulley
9	40X6870	1	1	Drive pulley
10	40X7362	1	1	Paddle shaft
11	40X7425	1	1	Clamp drive belt
12	40X7426	1	1	Clamp drive motor
13	40X4147	1	1	Spring
14	40X0874	1	1	Sub paddle
15	40X4120	1	1	Sub paddle solenoid

Assembly 74: Finisher—eject and compiler unit

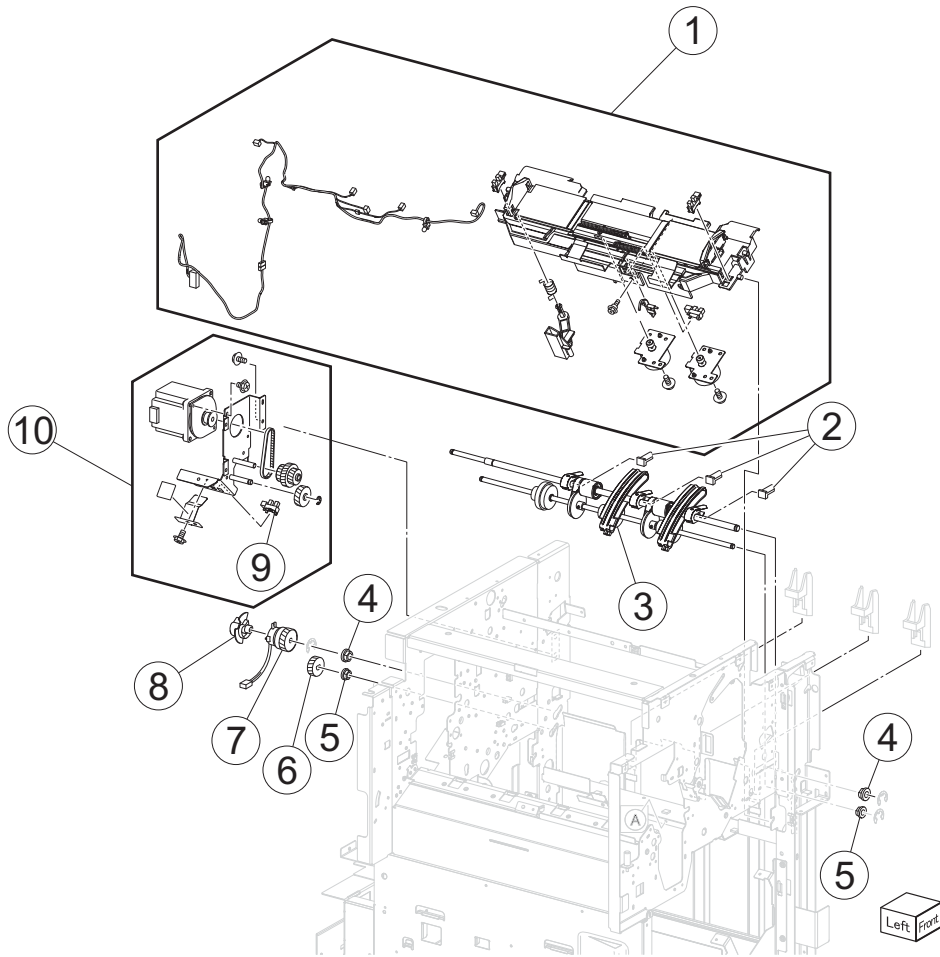
Previous



Next

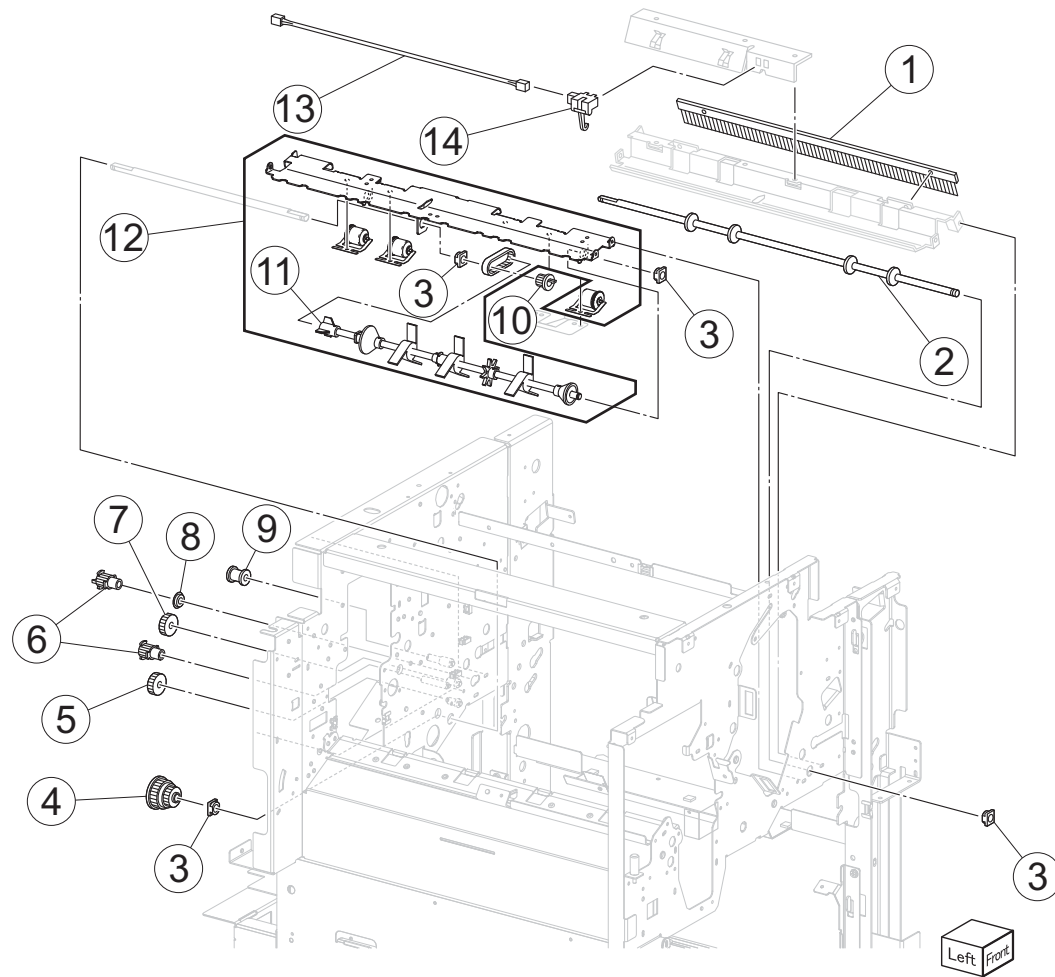


Go Back



Asm-index	Part number	Units/mach	Units/FRU	Description
74-1	40X6886	1	1	Media compiler guide
2	40X6881	1	1	Eject shaft paddle
3	40X6880	1	1	Eject shaft roll
4	40X1388	1	1	Bearing
5	40X0888	5	1	Bushing
6	40X0889	1	1	Media eject gear
7	40X4062	2	1	Media eject clamp clutch
8	40X6884	1	1	Eject shaft actuator
9	40X0825	3	1	Sensor (media eject shaft HP)
9	40X0825	3	1	Sensor (media eject clamp HP)
10	40X6885	1	1	Eject shaft roll motor

Assembly 75: Finisher—lower exit drive



Previous



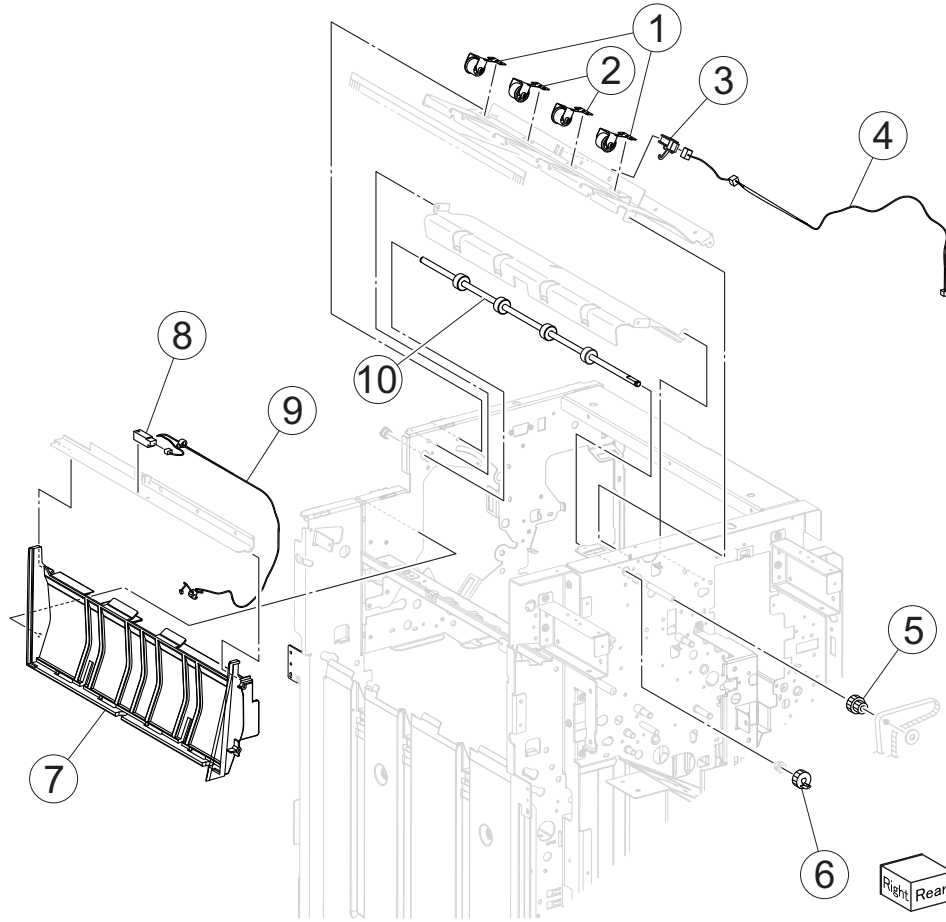
Next



Go Back

Asm-index	Part number	Units/mach	Units/FRU	Description
75-1	40X0894	1	1	Static eliminator brush
2	40X0895	1	1	Lower media exit roll
3	40X0888	5	1	Bushing
4	40X0900	1	1	Main paddle drive pulley/gear 44/20T
5	40X3959	1	1	Gear (23T)
6	40X0898	2	1	Lower exit roll drive pulley kit includes: <ul style="list-style-type: none"> lower exit roll drive pulley 20T idler pulley 20T
7	40X4066	1	1	Gear (23T)
8	40X0913	2	1	Ball bearing 6mm
9	40X4128	1	1	Idler pulley
10	40X4106	1	1	Main paddle shaft drive pulley 17T
11	40X6887	1	1	Main paddle shaft
12	40X6890	1	1	Lower exit pinch roll
13	40X7427	1	1	Lower exit sensor cable
14	40X0893	2	1	Sensor (lower media exit)

Assembly 76: Finisher—upper drive



Previous



Next



Go Back

Asm-index	Part number	Units/mach	Units/FRU	Description
76-1	40X6893	1	1	Left upper exit nip roll
2	40X6894	1	1	Right upper exit nip roll
3	40X0893	2	1	Sensor (upper media exit)
4	40X6892	1	1	Upper exit sensor cable
5	40X0926	1	1	Upper media transport roll drive pulley/gear 20/20T
6	40X0927	1	1	Upper media exit roll drive gear 20T
7	40X7429	1	1	Finisher upper bin vertical cover
8	40X0908	1	1	Sensor (upper media bin full)
9	40X7428	1	1	Upper bin full sensor cable
10	40X6891	1	1	Upper media exit roll

Assembly 77: Finisher—buffer and entrance drive

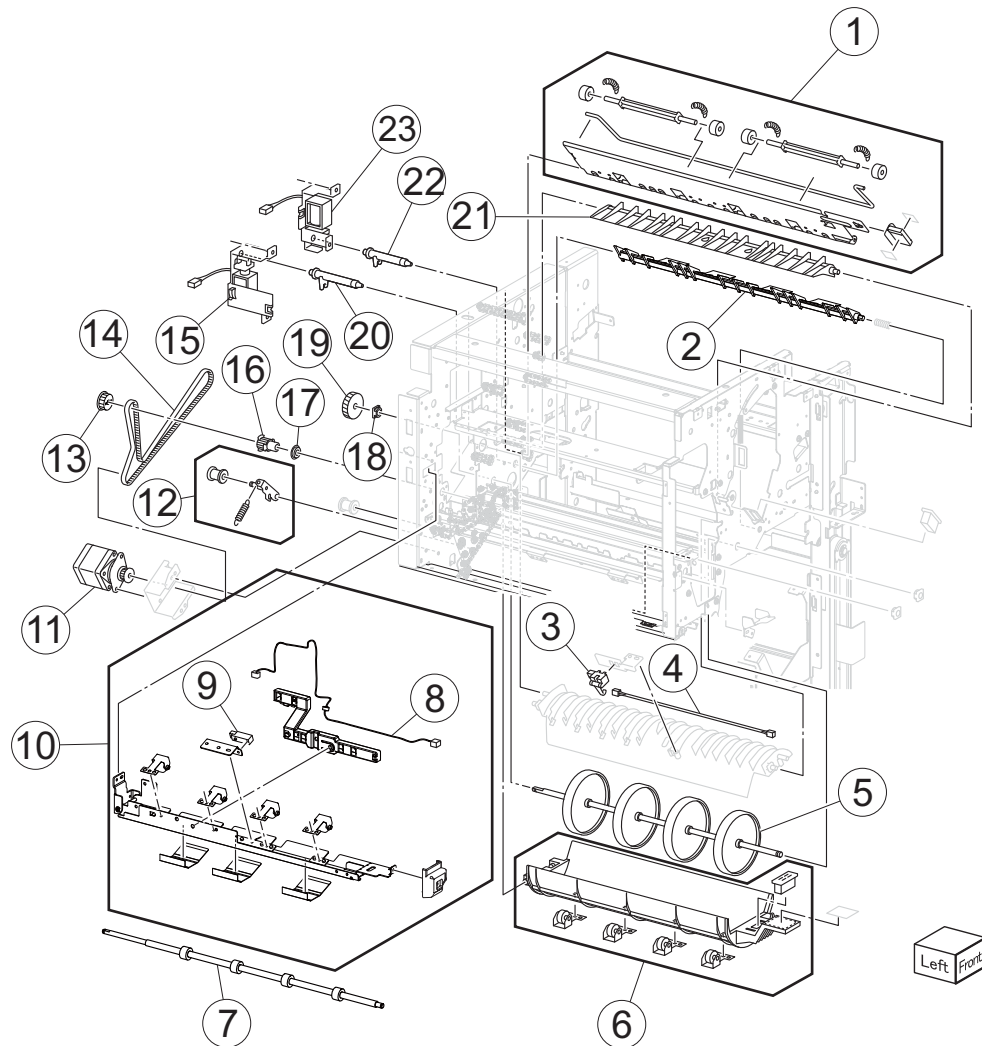
Previous



Next



Go Back



Asm-index	Part number	Units/mach	Units/FRU	Description
77-1	40X7538	1	1	Lower pinch guide roller
2	40X4149	1	1	Buffer diverter gate
3	40X0893	2	1	Sensor (buffer path)
4	40X7430	1	1	Buffer path sensor cable
5	40X0905	1	1	Buffer roll
6	40X6875	1	1	Buffer pinch guide assembly
7	40X0909	1	1	Finisher media entrance roll
8	40X7478	1	1	Finisher entrance sensor cable
9	40X0908	1	1	Sensor (finisher media entrance)
10	40X6895	1	1	Media entrance pinch guide
11	40X0910	1	1	Stepper motor

Assembly 77 (continued): Finisher—buffer and entrance drive

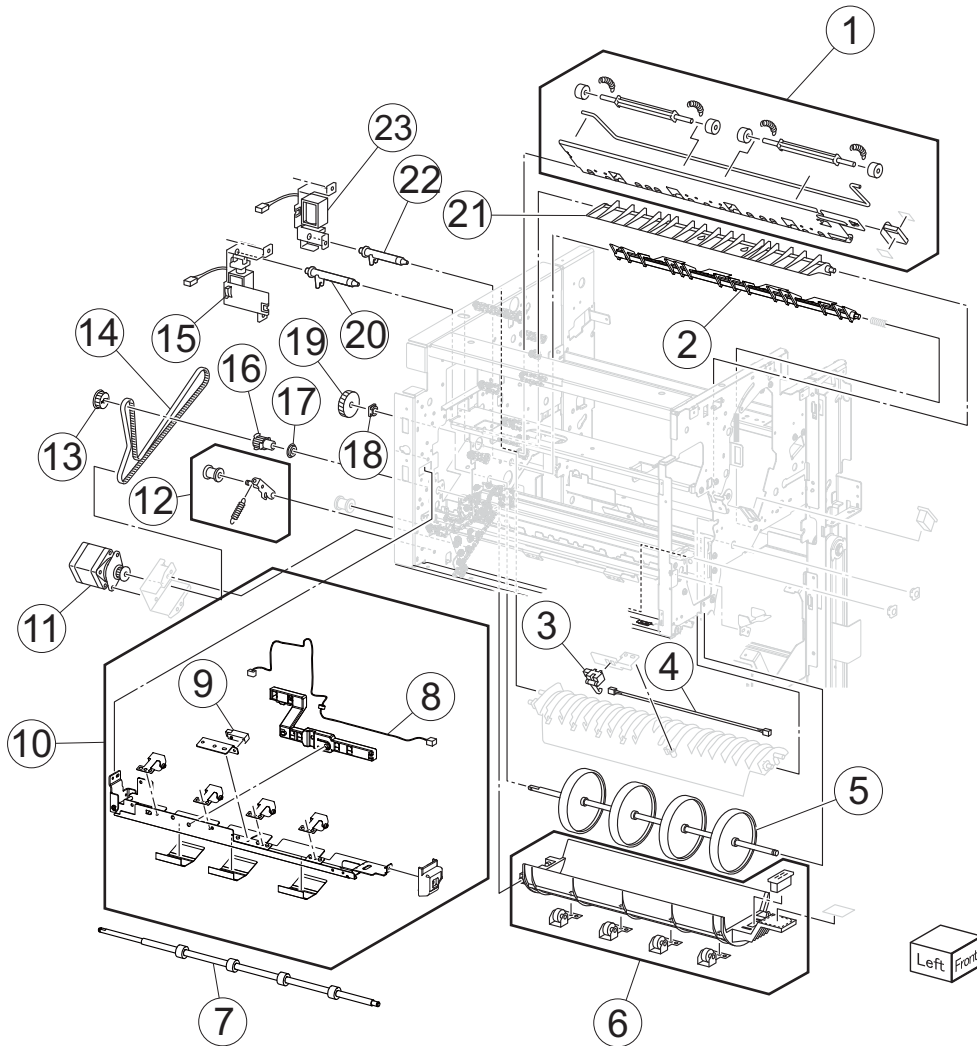
Previous



Next

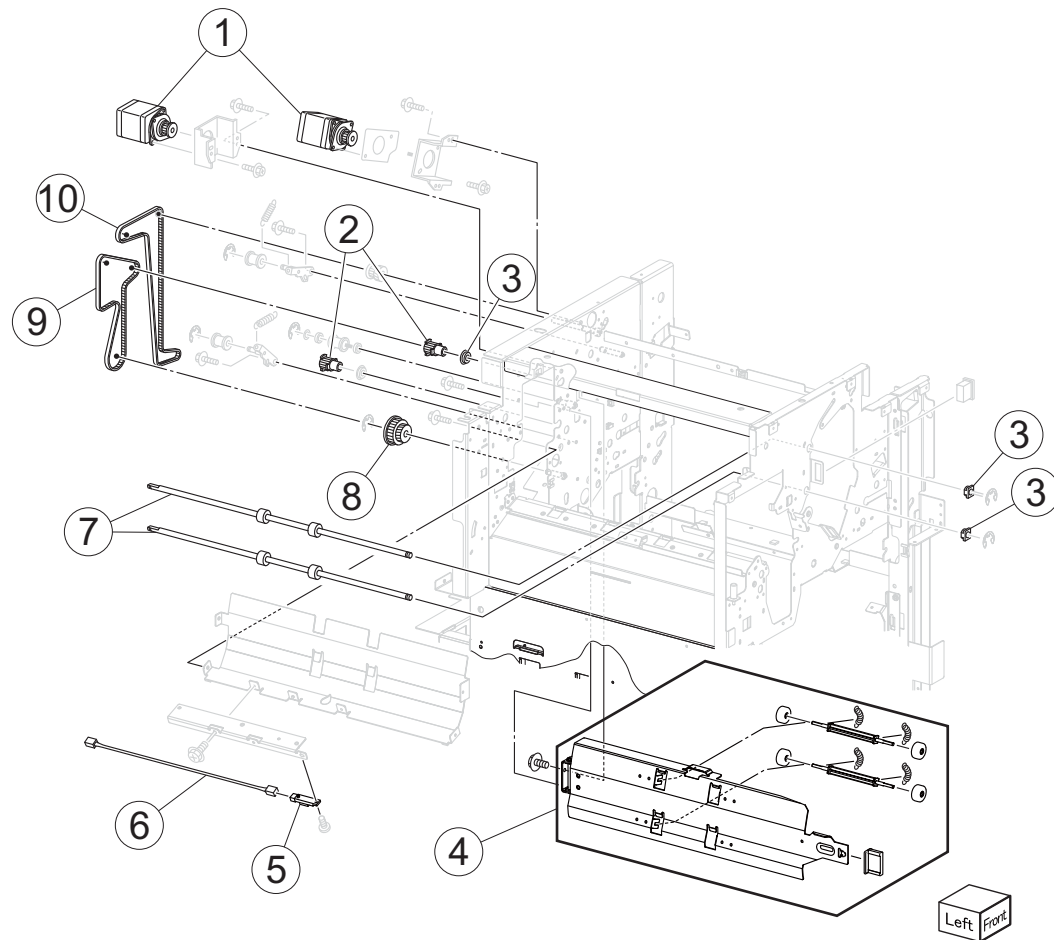


Go Back



Asm-index	Part number	Units/mach	Units/FRU	Description
12	40X0912	3	1	Belt idler pulley <ul style="list-style-type: none"> • Spring • Belt tensioner bracket
13	40X0888	5	1	Bushing
14	40X0911	1	1	Belt entrance/paddle 31.6 cm
15	40X6897	1	1	Diverter solenoid
16	40X0914	1	1	Media entrance roll drive pulley 20T
17	40X0913	2	1	Ball bearing 6 mm
18	40X0888	5	1	Bushing
19	40X0915	1	1	Buffer roll drive gear 46T
20	40X4083	1	1	Diverter solenoid link
21	40X7522	1	1	Finisher diverter gate
22	40X4070	1	1	Buffer solenoid link
23	40X6898	1	1	Buffer solenoid

Assembly 78: Finisher—buffer, transport, and upper drive



Previous



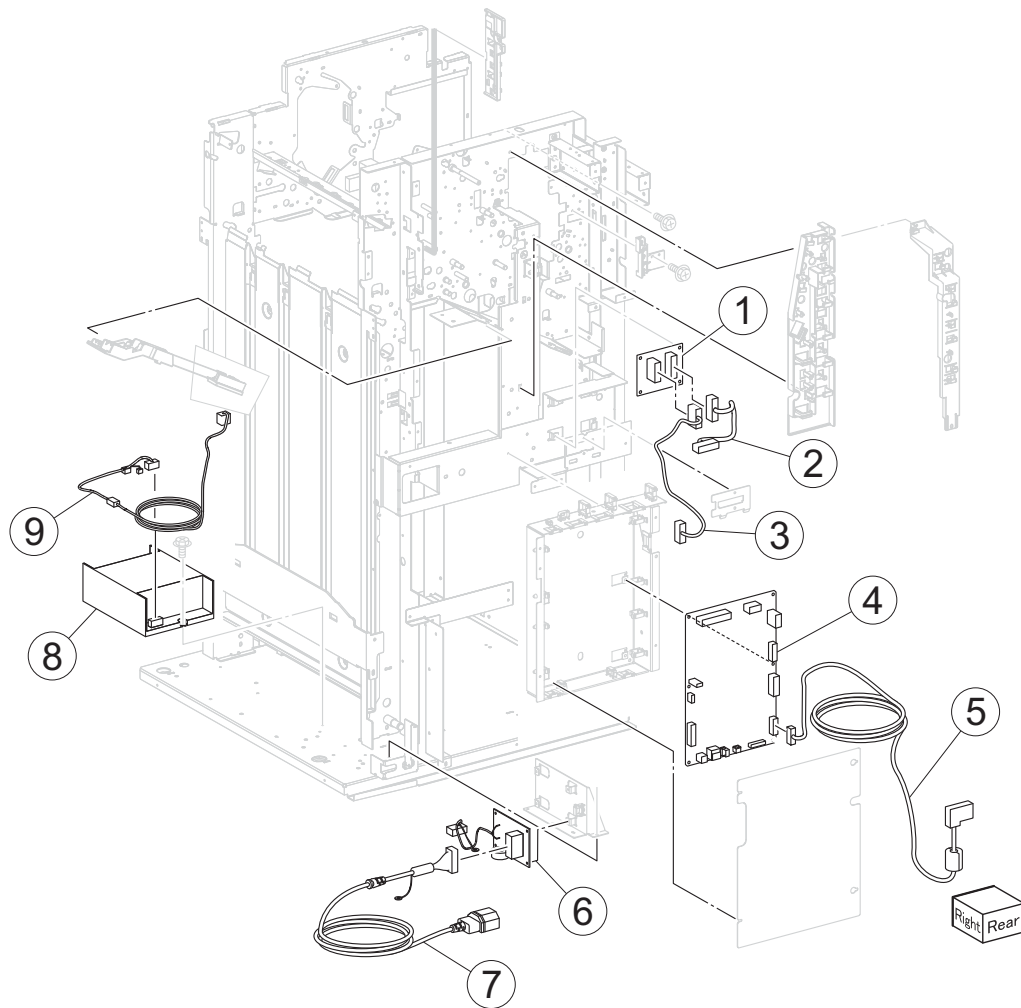
Next



Go Back

Asm-index	Part number	Units/mach	Units/FRU	Description
78-1	40X0910	1	1	Stepper motor
2	40X0925	1	1	Upper media transport roll drive pulley 20T
3	40X0888	5	1	Bushing
4	40X6900	1	1	Upper pinch guide
5	40X0921	1	1	Sensor (diverter gate)
6	40X7480	1	1	Diverter gate sensor cable
7	40X6901	1	1	Upper transport roll
8	40X0924	1	1	Buffer roll drive pulley/gear 53/23T
9	40X0928	1	1	Belt (buffer/transport) 19.8 cm
10	40X0929	1	1	Belt (exit) 27.7 cm

Assembly 79: Finisher—electronics



Previous



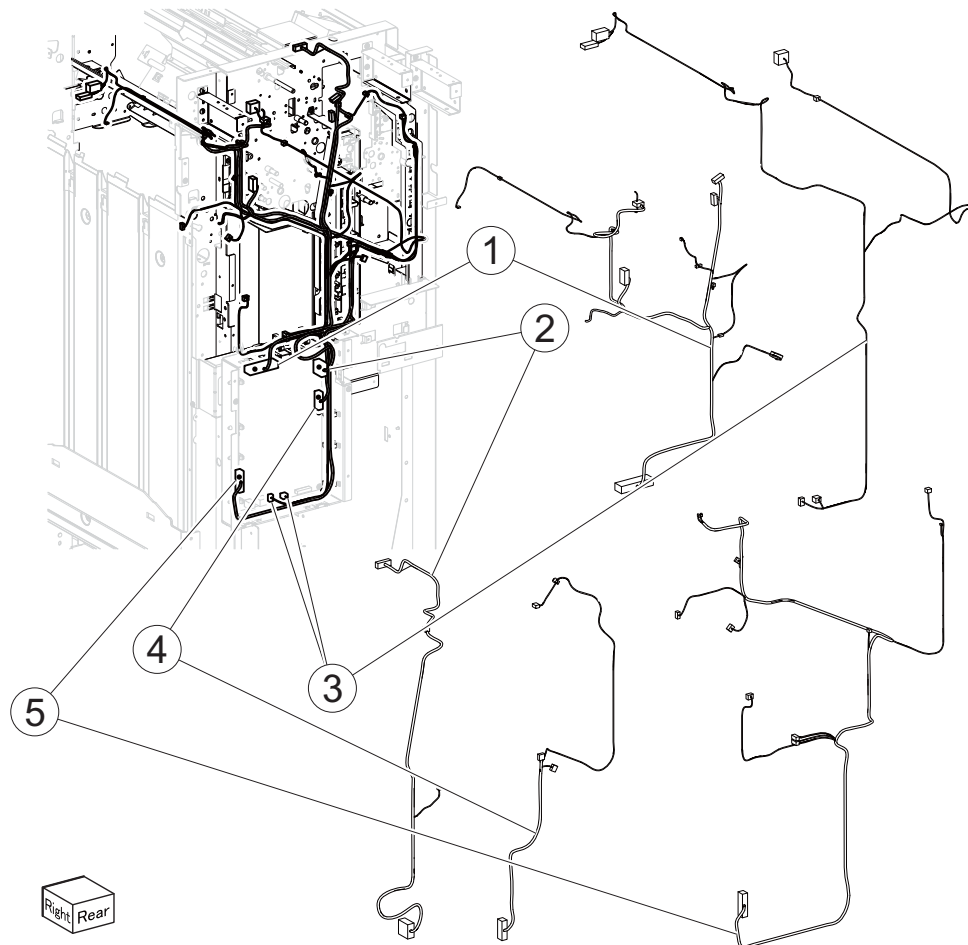
Next



Go Back

Asm-index	Part number	Units/mach	Units/FRU	Description
79-1	40X3969	1	1	Bridge PCBA
2	40X3970	1	1	Bridge unit connect cable assembly
3	40X0933	1	1	Bridge interface card cable
4	40X6902	1	1	Finisher controller PCBA
5	40X4412	1	1	Finisher interface cable
6	40X6904	1	1	Finisher AC filter PCBA
7	40X0935	1	1	Finisher power cable
8	40X7521	1	1	Finisher LVPS PCBA
9	40X7431	1	1	Finisher LVPS cable

Assembly 80: Finisher—cables



Previous



Next



Go Back

Asm-index	Part number	Units/mach	Units/FRU	Description
80-1	40X6906	1	1	Finisher motor cable
2	40X6907	1	1	Punch drive motor
3	40X6909	1	1	Interlock cable
4	40X6908	1	1	Punch sensor cable
5	40X6905	1	1	Finisher sensor cable

Assembly 81: Booklet maker 1

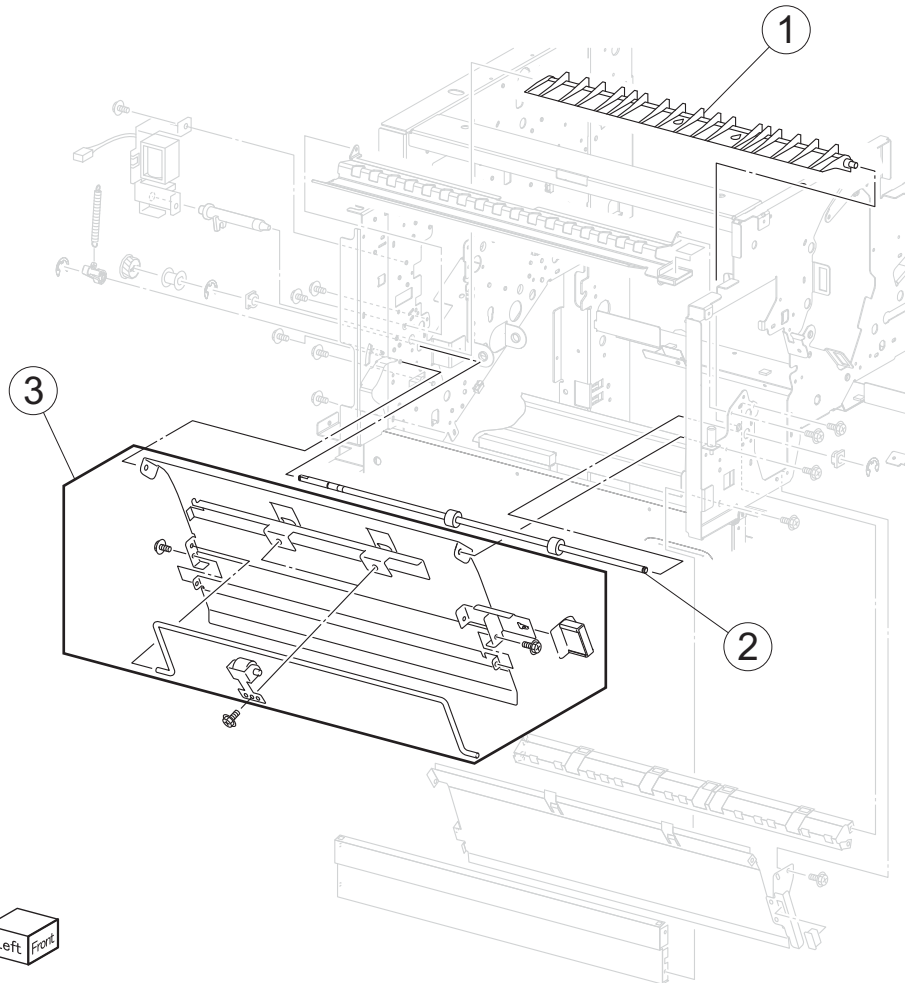
Previous



Next

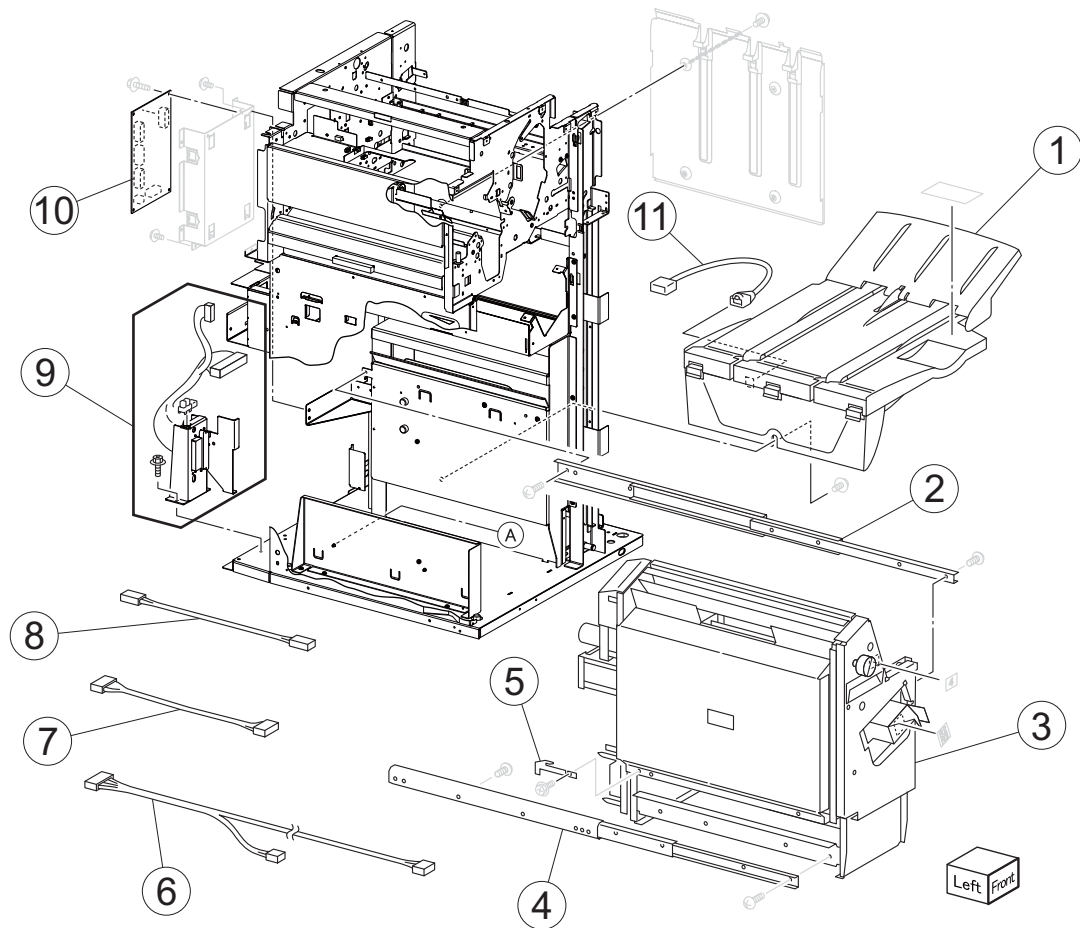


Go Back



Asm-index	Part number	Units/mach	Units/FRU	Description
81-1	40X7479	1	1	Booklet diverter gate
2	40X6899	1	1	Booklet path roll
3	40X7519	1	1	Booklet pinch guide

Assembly 82: Booklet maker 2



Asm-index	Part number	Units/mach	Units/FRU	Description
82-1	40X6910	1	1	Booklet output tray
2	40X7482	1	1	Booklet right glide
3	40X6915	1	1	Booklet unit chassis
4	40X7483	1	1	Booklet left glide
5	40X3988	1	1	Booklet unit catch
6	40X6913	1	1	Booklet unit cable
7	40X6912	1	1	Booklet diverter cable
8	40X6911	1	1	Booklet controller power cable
9	40X6914	1	1	Booklet unit interface contact
10	40X7481	1	1	Booklet controller card assembly
11	40X3987	1	1	Booklet bin hookup cable assembly

Assembly 83: Booklet maker 3

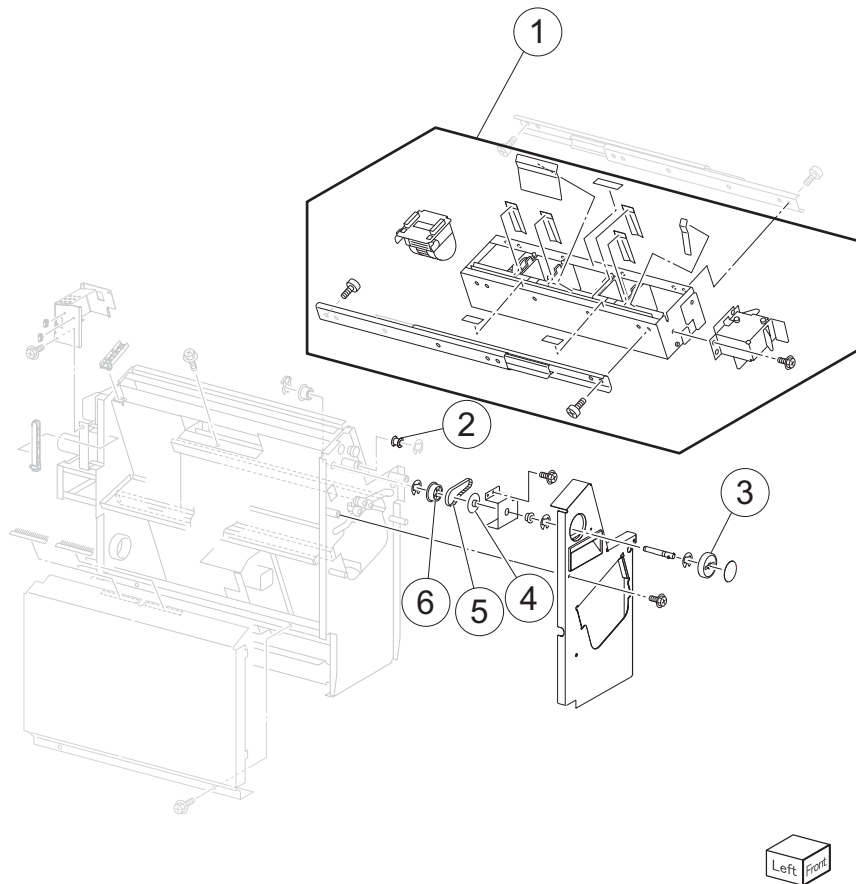
Previous



Next

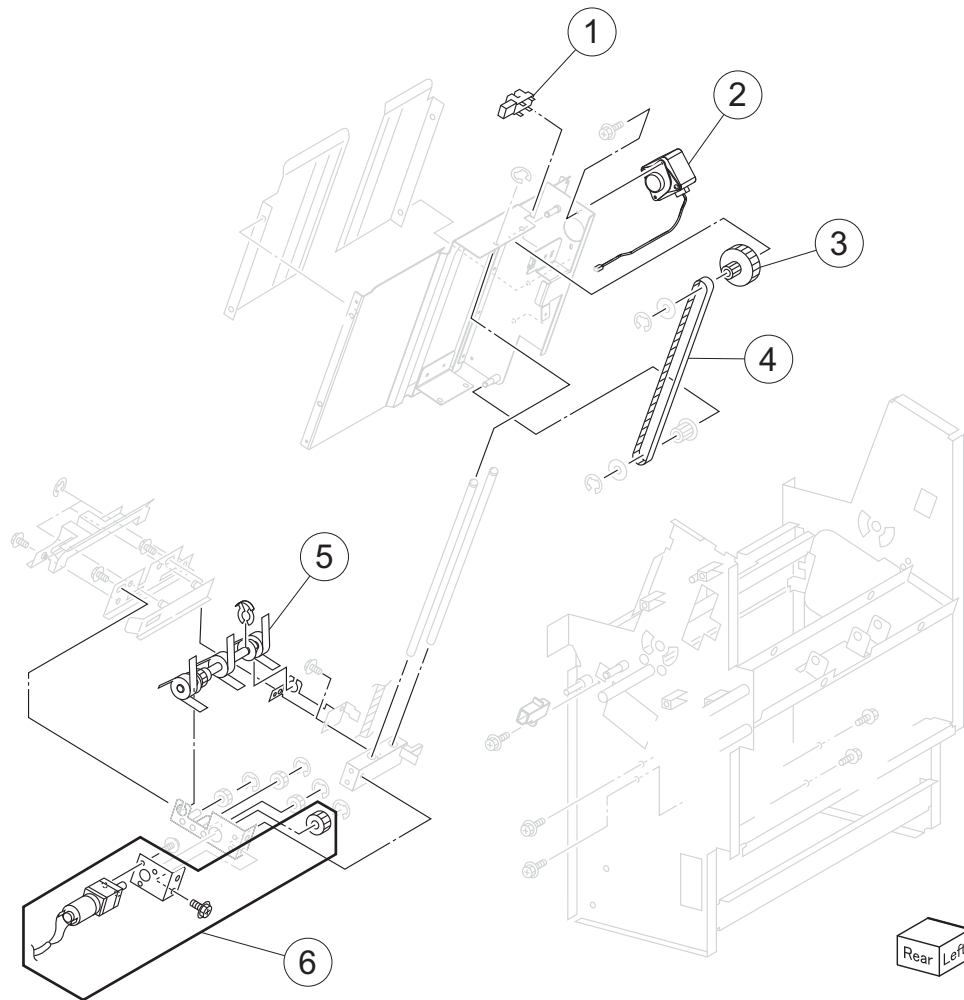


Go Back



Asm-index	Part number	Units/mach	Units/FRU	Description
83-1	40X7486	1	1	Booklet stapler unit assembly
2	40X7488	1	1	Pulley
3	40X7485	1	1	Booklet knob
4	40X7484	1	1	Belt flange
5	40X7432	1	1	Booklet front drive belt
6	40X6916	1	1	Booklet gear 31T

Assembly 84: Booklet maker 4



Previous



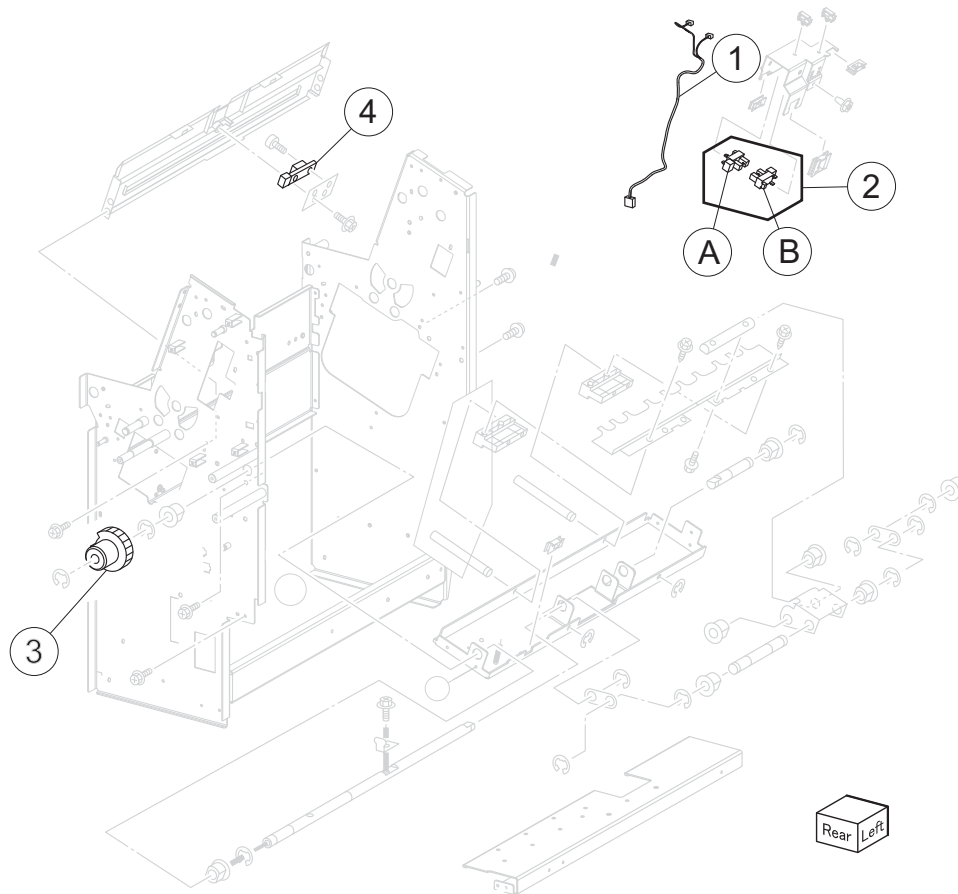
Next



Go Back

Asm-index	Part number	Units/mach	Units/FRU	Description
84-1	40X0825	3	1	Sensor (booklet end guide HP)
2	40X7489	1	1	Booklet end guide drive motor
3	40X3993	1	1	Gear pulley 40/20T
4	40X3994	1	1	Booklet end guide drive belt
5	40X6917	1	1	Booklet paddle roll
6	40X7490	1	1	Booklet paddle drive motor assembly

Assembly 85: Booklet maker 5



Previous



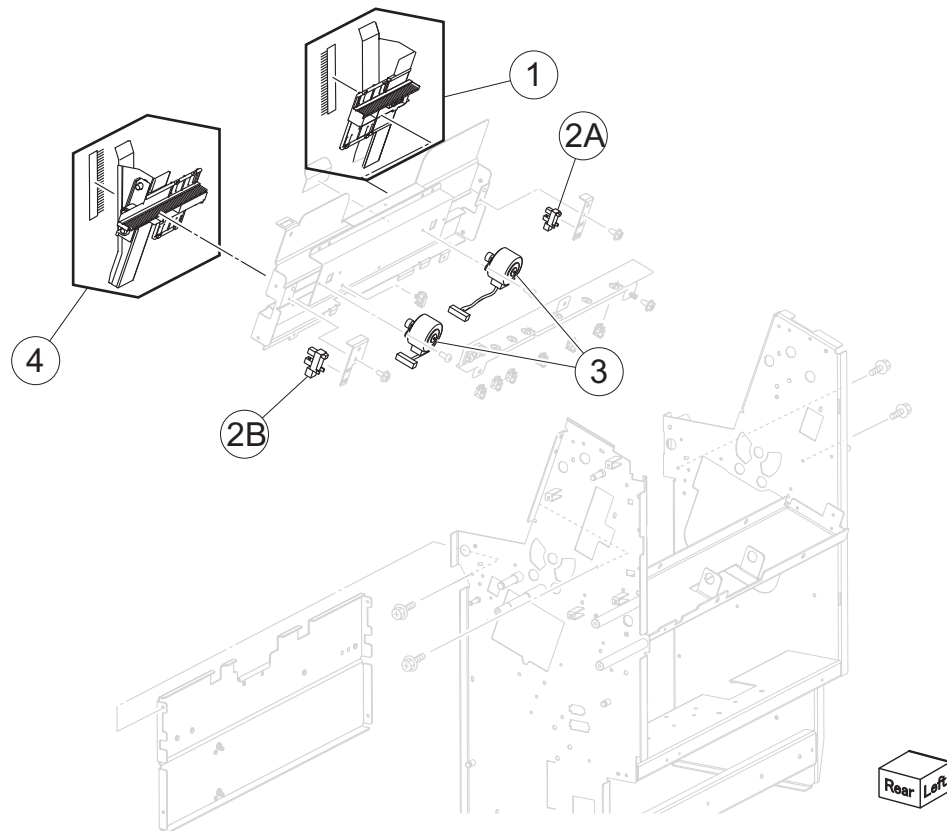
Next



Go Back

Asm-index	Part number	Units/mach	Units/FRU	Description
85-1	40X7491	1	1	Booklet knife HP sensor cable assembly
2	40X0825	3	1	A) Sensor (booklet knife folding) B) Sensor (booklet knife HP)
3	40X3999	1	1	Booklet knife sector drive gear 42T
4	40X0921	1	1	Sensor (booklet media entrance)

Assembly 86: Booklet maker 6



Previous



Next



Go Back

Asm-index	Part number	Units/mach	Units/FRU	Description
1	40X7433	1	1	Booklet front tamper guide
2	40X0825	3	1	A) Sensor (booklet front tamper HP) B) Sensor (booklet rear tamper HP)
3	40X7492	1	1	Booklet rear tamper motor
3	40X7492	1	1	Booklet front tamper motor
4	40X7434	1	1	Booklet rear tamper guide

Assembly 87: Booklet maker 7

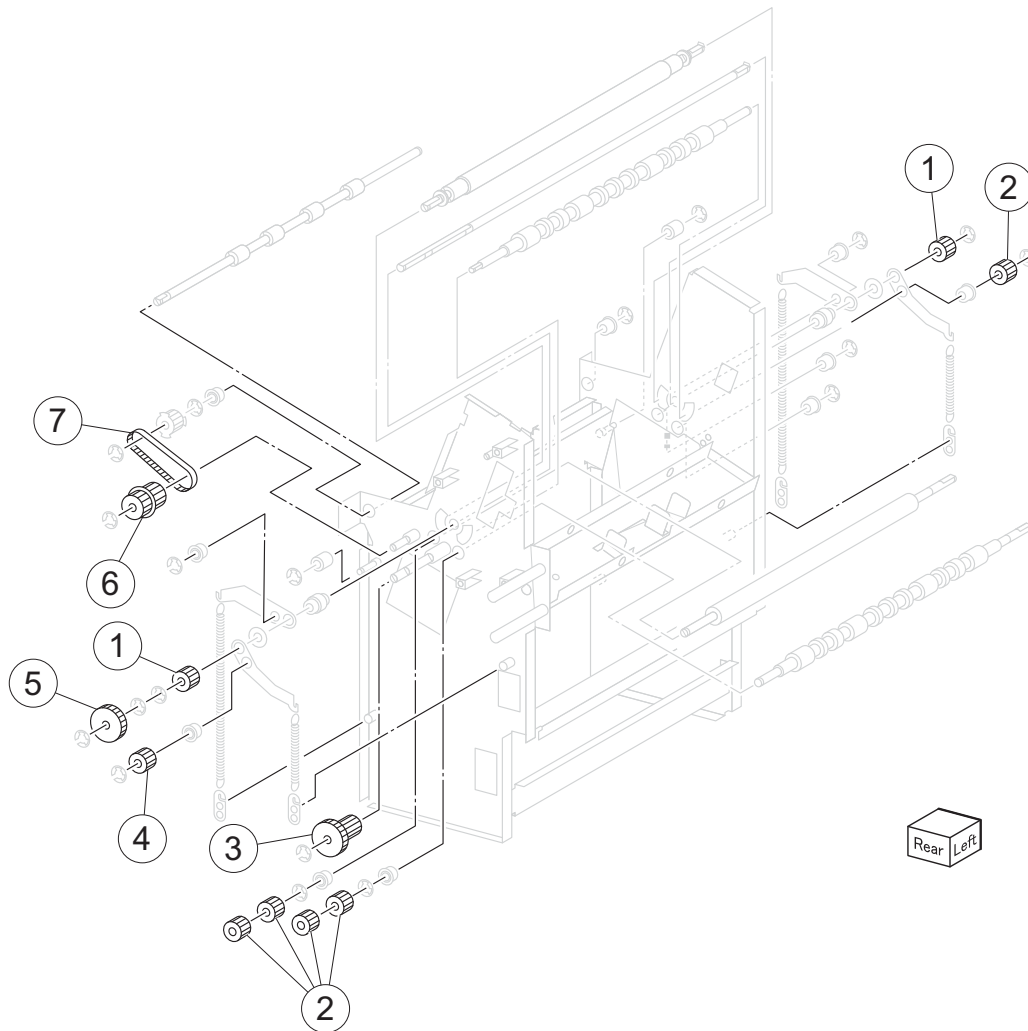
Previous



Next

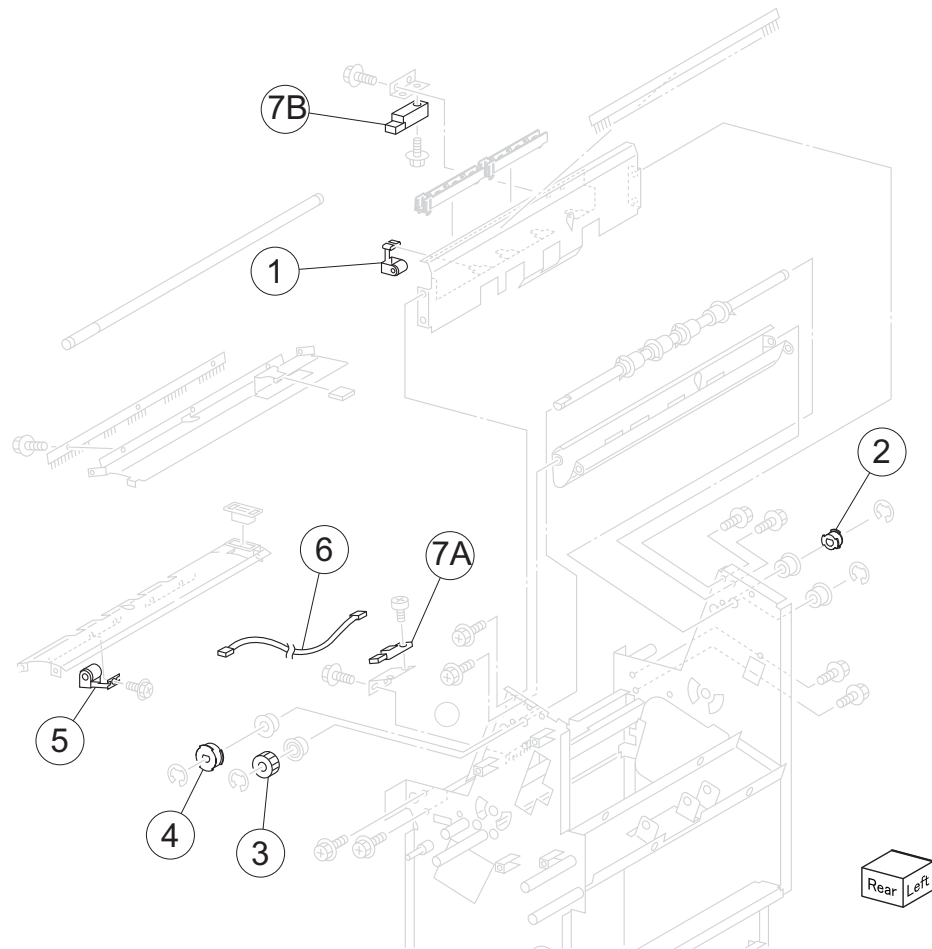


Go Back



Asm-index	Part number	Units/mach	Units/FRU	Description
87-1	40X4008	1	1	Gear 18T
2	40X4006	1	1	Gear 16T
3	40X4007	1	1	Booklet folding roll drive gear 38/18T
4	40X7523	1	1	Gear 16T
5	40X4010	1	1	Gear 37T
6	40X4004	1	1	Gear pulley 20/25T
7	40X4005	1	1	Booklet exit roll drive belt

Assembly 88: Booklet maker 8



Previous



Next



Go Back

Asm-index	Part number	Units/mach	Units/FRU	Description
88-1	40X7565	1	1	Booklet media pinch roll assembly
2	40X7436	1	1	Booklet front pulley
3	40X7523	1	1	Gear (16T)
4	40X7435	1	1	Booklet entrance drive pulley
5	40X4011			Booklet media exit pinch roller
6	40X7494	1	1	Media exit sensor cable assembly
7	40X0921	1	1	A) Sensor (booklet media entrance) B) Sensor (booklet media exit)

Assembly 89: Booklet maker 9

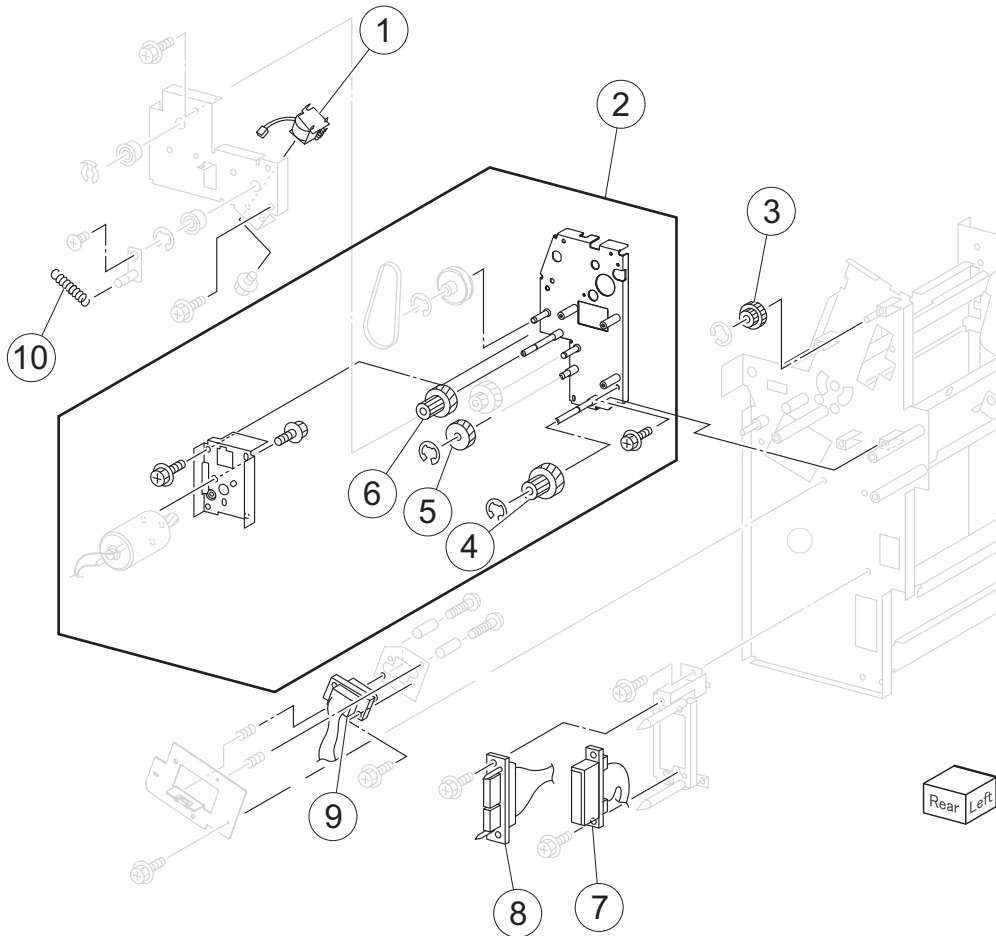
Previous



Next

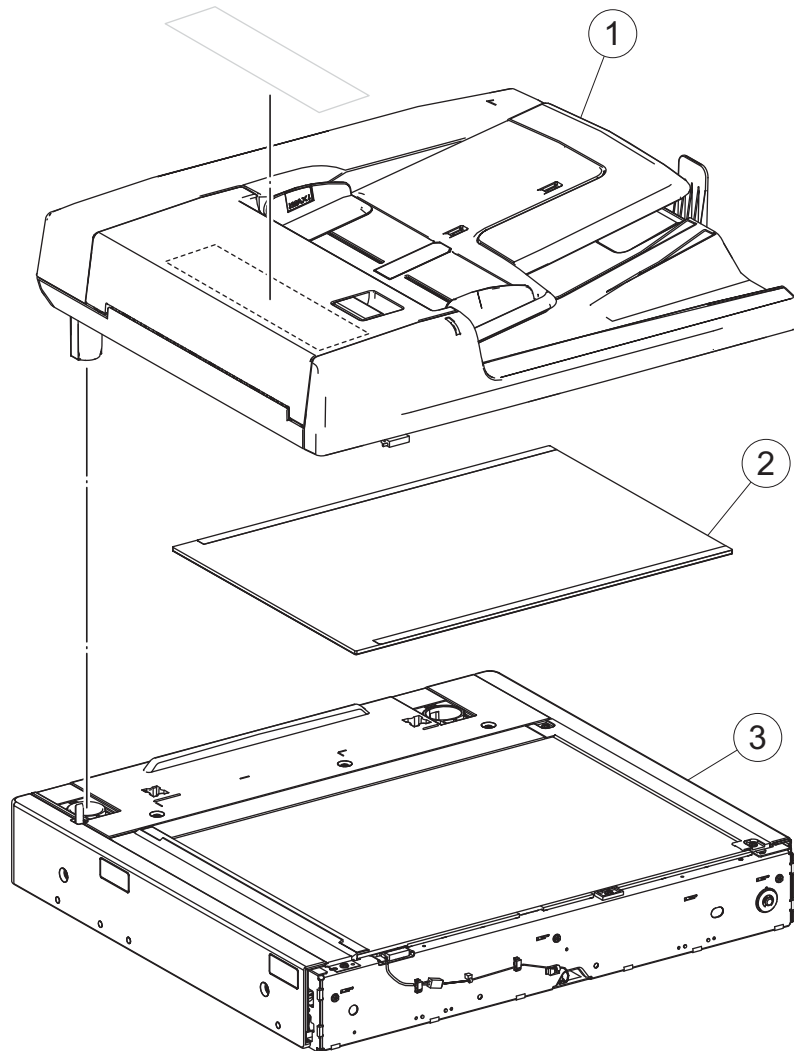


Go Back



Asm-index	Part number	Units/mach	Units/FRU	Description
89-1	40X7497	1	1	Booklet fold solenoid
2	40X7524	1	1	Booklet rear gear bracket
3	40X4019	1	1	Booklet gear 27/34T
4	40X4024	1	1	Gear 18/39T
5	40X4015	1	1	Booklet gear 45T
6	40X4017	1	1	Booklet gear 16/44T
7	40X7501	1	1	Booklet sensor interface cable assembly
8	40X7499	1	1	Booklet motor interface cable assembly
9	40X7498	1	1	Booklet stapler interface cable assembly
10	40X4020	1	1	Spring

Assembly 90: ADF assembly



Previous



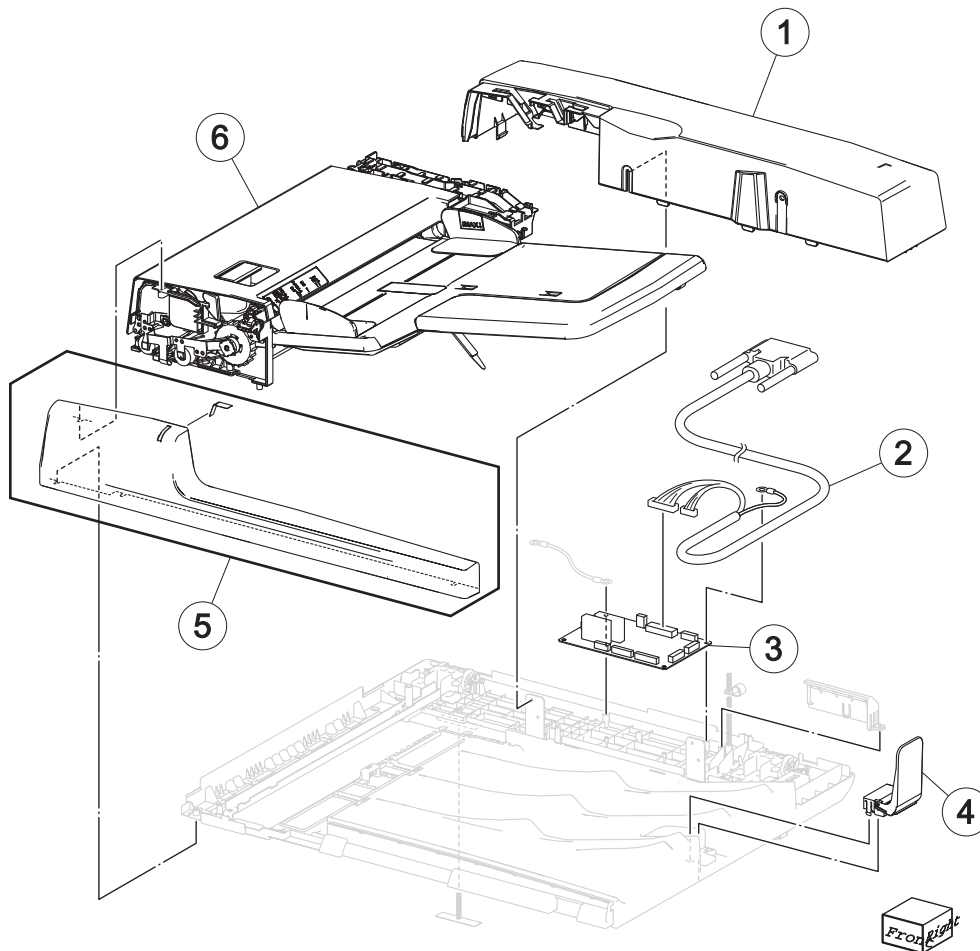
Next



Go Back

Asm-index	Part number	Units/mach	Units/FRU	Description
90-1	40X6795	1	1	Automatic document feeder assembly
2	40X6794	1	1	ADF platen pad
3	40X6554	1	1	Flatbed scanner assembly

Assembly 91: ADF covers and components 1



Previous



Next



Go Back

Asm-index	Part number	Units/mach	Units/FRU	Description
91-1	40X6797	1	1	ADF rear cover
2	40X6799	1	1	ADF interface cable
3	40X6800	1	1	ADF controller PCBA
4	40X6801	1	1	ADF media stop
5	40X6798	1	1	ADF front cover
6	40X6796	1	1	ADF main drive sub assembly

Assembly 92: ADF covers and components 2

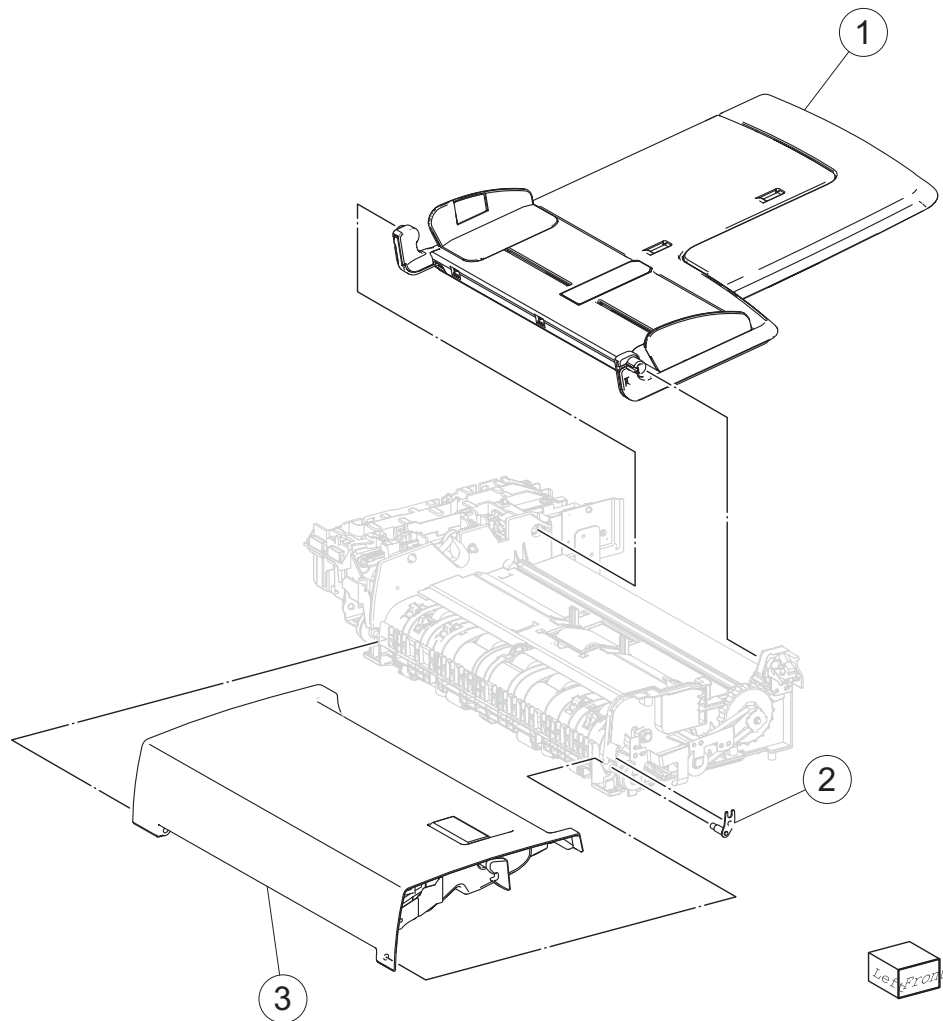
Previous



Next

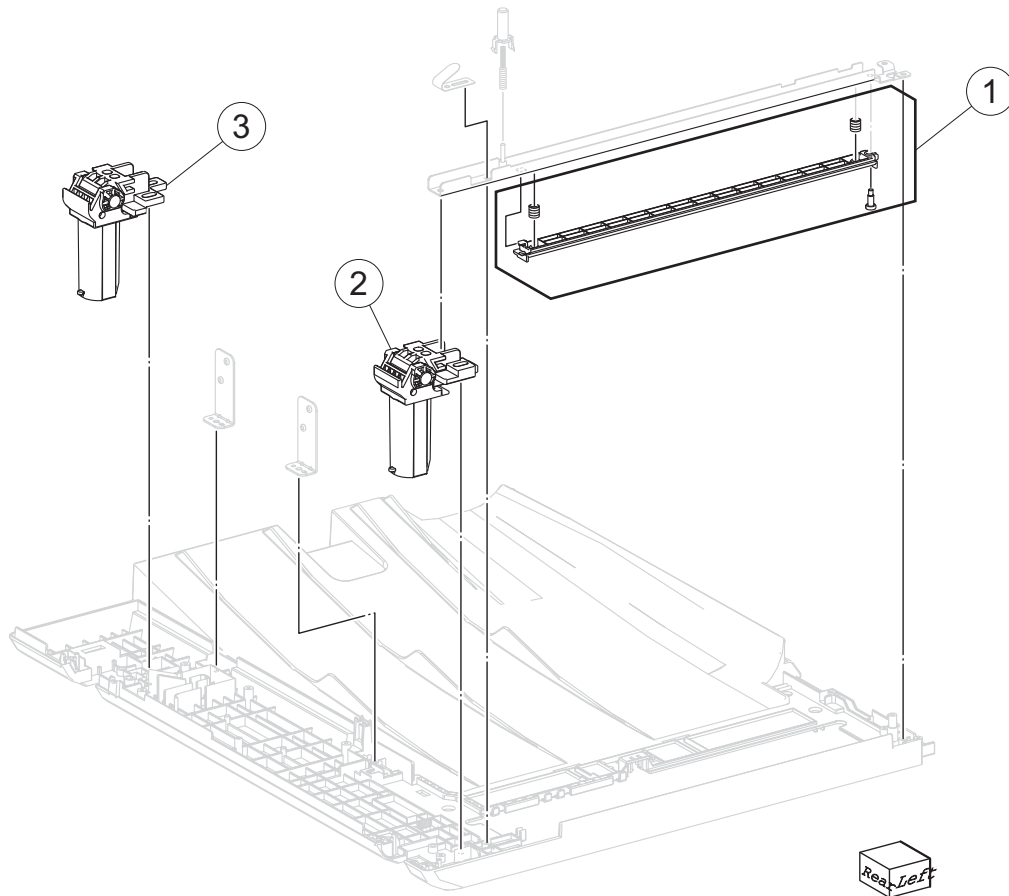


Go Back



Asm-index	Part number	Units/mach	Units/FRU	Description
92-1	40X6806	1	1	ADF document tray
2	40X6808	1	1	ADF left door retainer
3	40X6807	1	1	ADF top door

Assembly 93: ADF base



Previous



Next



Go Back

Asm-index	Part number	Units/mach	Units/FRU	Description
93-1	40X6804	1	1	ADF scan pad
2	40X6802	1	1	ADF left hinge
3	40X6803	1	1	ADF right hinge

Assembly 94: ADF drive

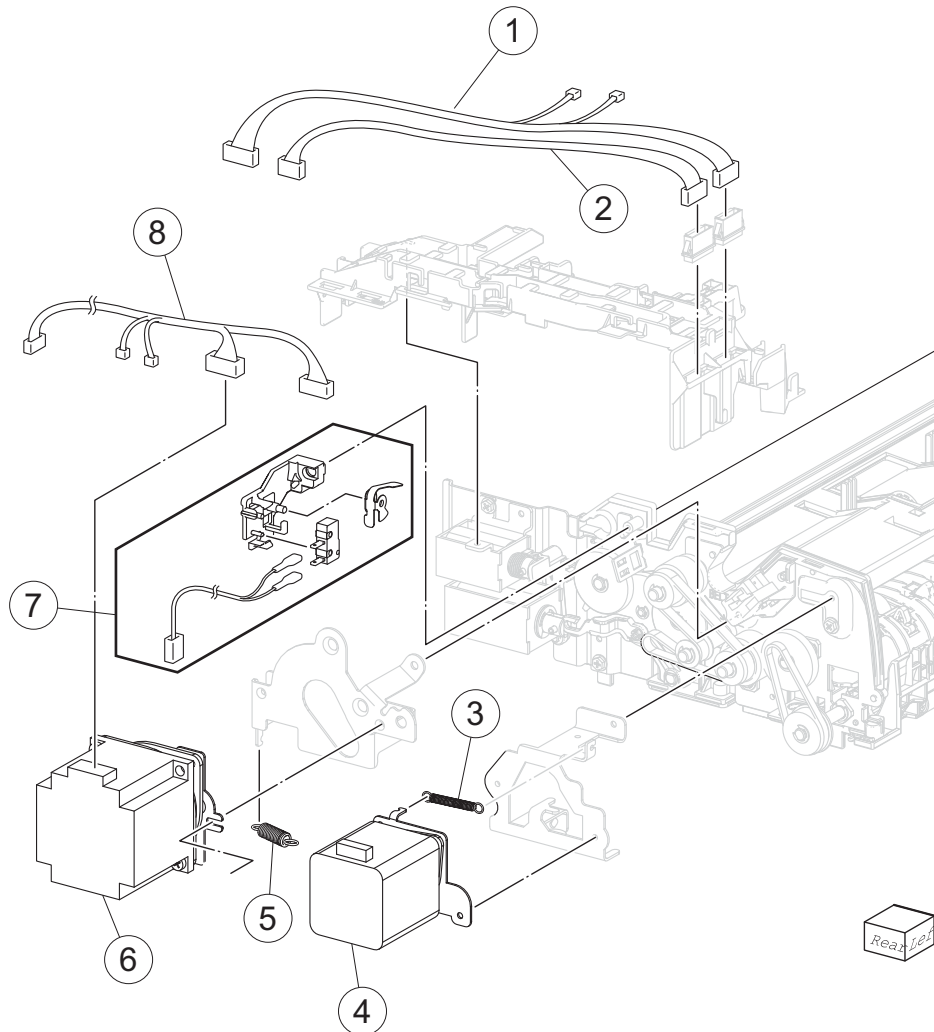
Previous



Next



Go Back



Asm-index	Part number	Units/mach	Units/FRU	Description
94-1	40X6813	1	1	ADF sensor 1 cable
2	40X6815	1	1	ADF sensor 2 cable
3	40X2348	1	1	Spring
4	40X6811	1	1	ADF registration motor
5	40X6812	1	1	ADF feed motor spring
6	40X6810	1	1	ADF feed motor
7	40X6809	1	1	Sensor (ADF top door interlock)
8	40X6814	1	1	ADF motor cable

Assembly 95: ADF sensors 1

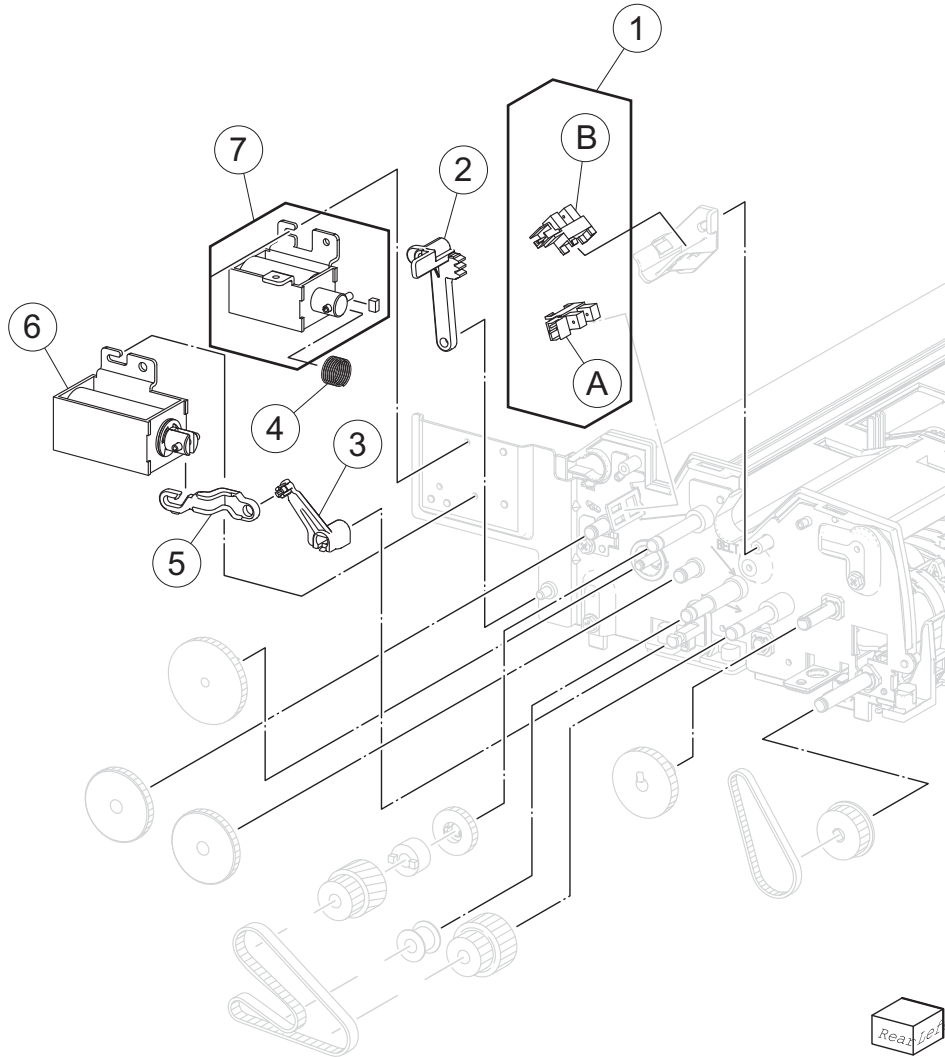
Previous



Next



Go Back



Asm-index	Part number	Units/mach	Units/FRU	Description
95-1	40X7403	1	1	A) Sensor (ADF document set) B) Sensor (ADF feed out)
2	40X7401	1	1	ADF document set solenoid
3	40X7400	1	1	ADF nip release lever
4	40X6818	1	1	Spring
5	40X7402	1	1	ADF nip release link
6	40X6817	1	1	ADF nip release solenoid
7	40X6816	1	1	ADF diverter gate solenoid

Assembly 96: ADF sensors 2

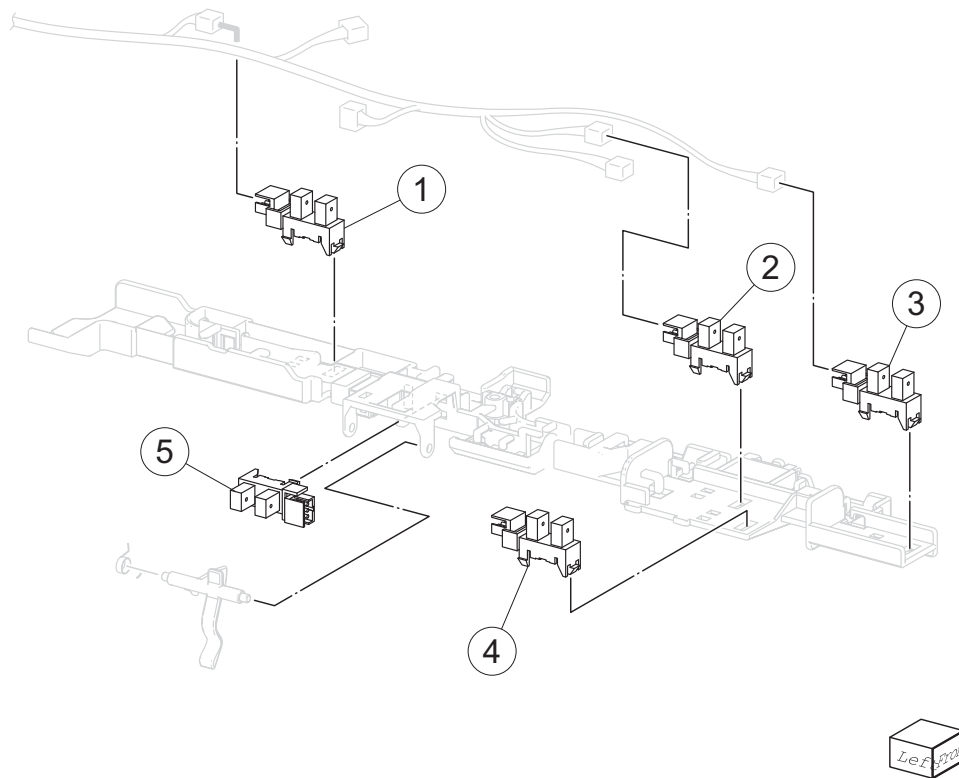
Previous



Next

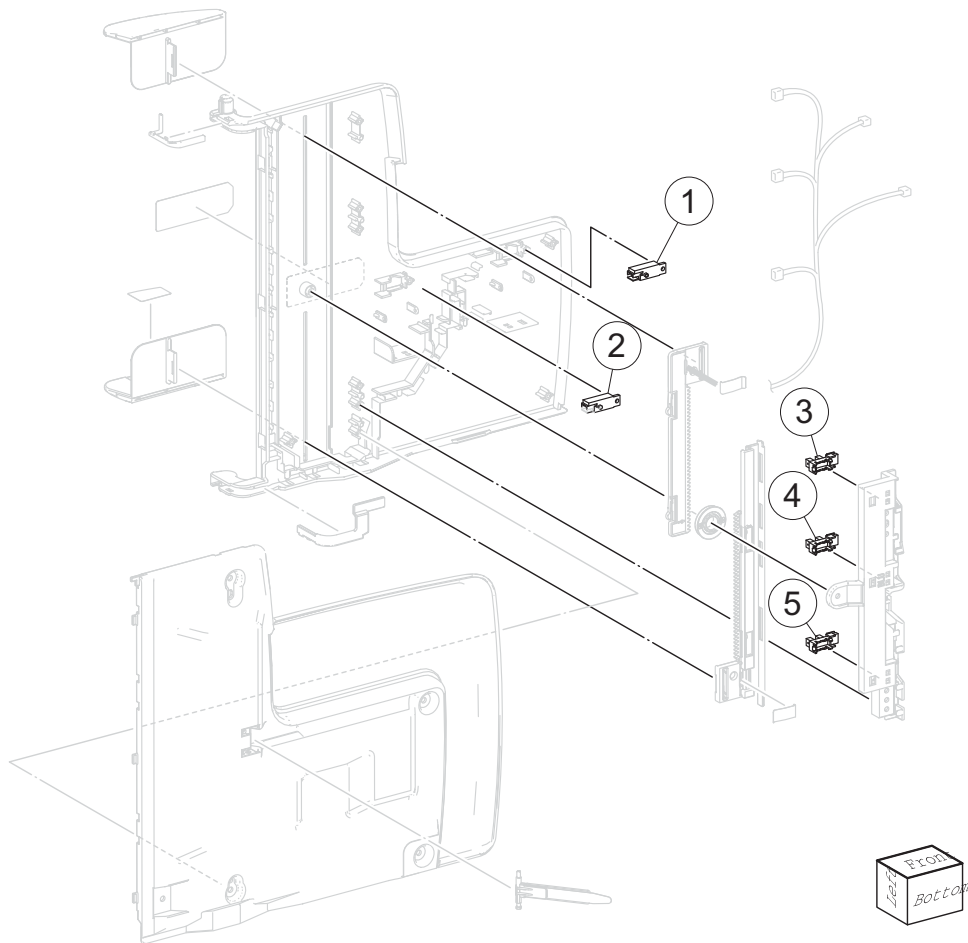


Go Back



Asm-index	Part number	Units/mach	Units/FRU	Description
96-1	40X7403		1	Sensor (ADF pre registration)
2	40X7403		1	Sensor (ADF scan width 2)
3	40X7403		1	Sensor (ADF scan width 3)
4	40X7403		1	Sensor (ADF scan width 1)
5	40X7403		1	Sensor (ADF registration)

Assembly 97: ADF sensors 3



Previous



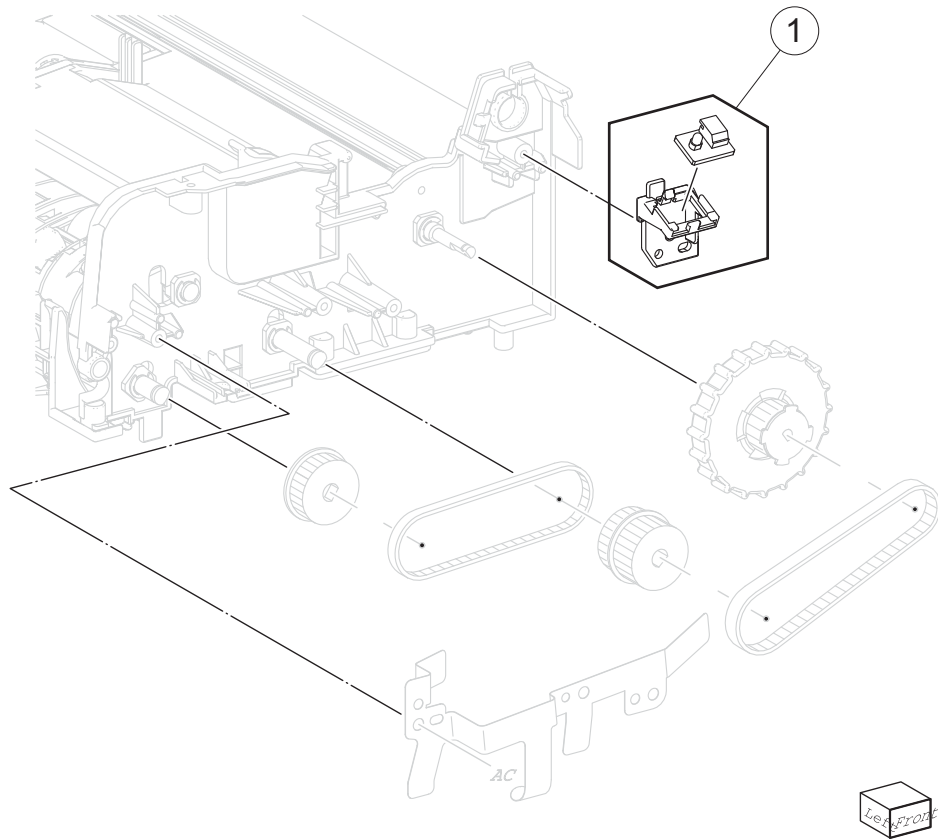
Next



Go Back

Asm-index	Part number	Units/mach	Units/FRU	Description
97-1	40X3892			Sensor (document tray length 2)
2	40X3892			Sensor (document tray length 1)
3	40X7403		1	Sensor (ADF document tray width 1)
4	40X7403		1	Sensor (ADF document tray width 2)
5	40X7403		1	Sensor (ADF document tray width 3)

Assembly 98: ADF LED PCB



Previous



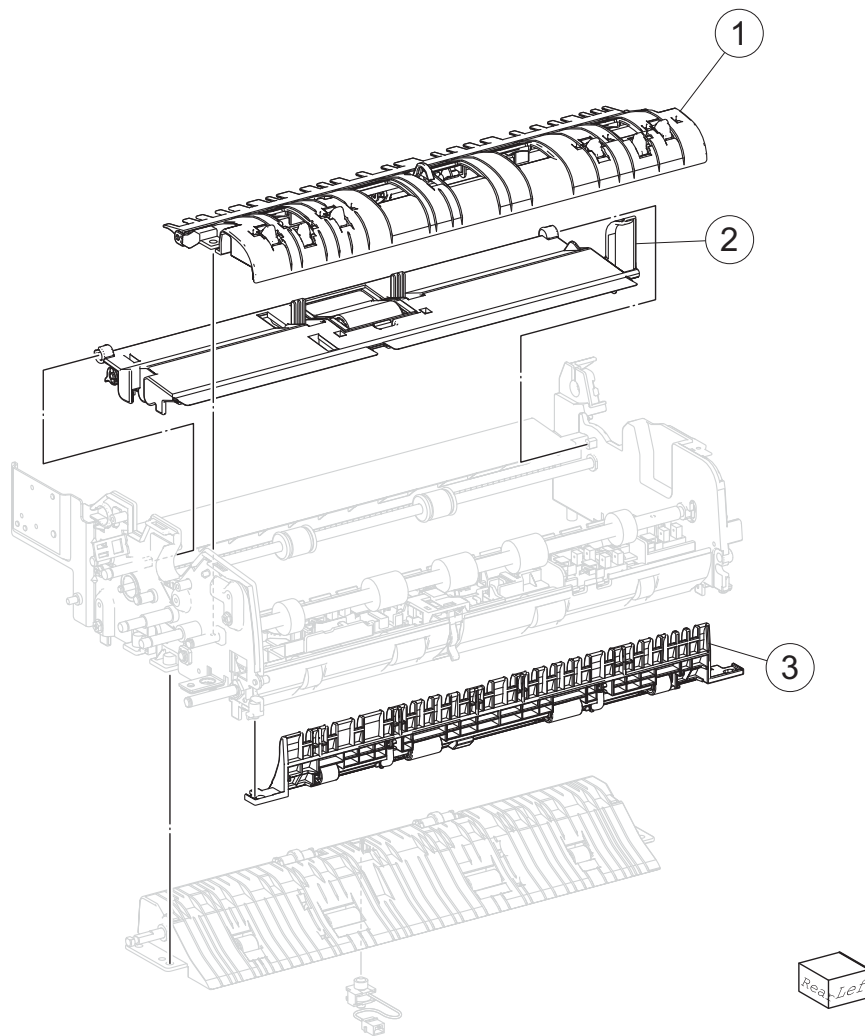
Next



Go Back

Asm-index	Part number	Units/mach	Units/FRU	Description
98-1	40X6819	1	1	ADF LED PCB

Assembly 99: ADF media guide



Previous



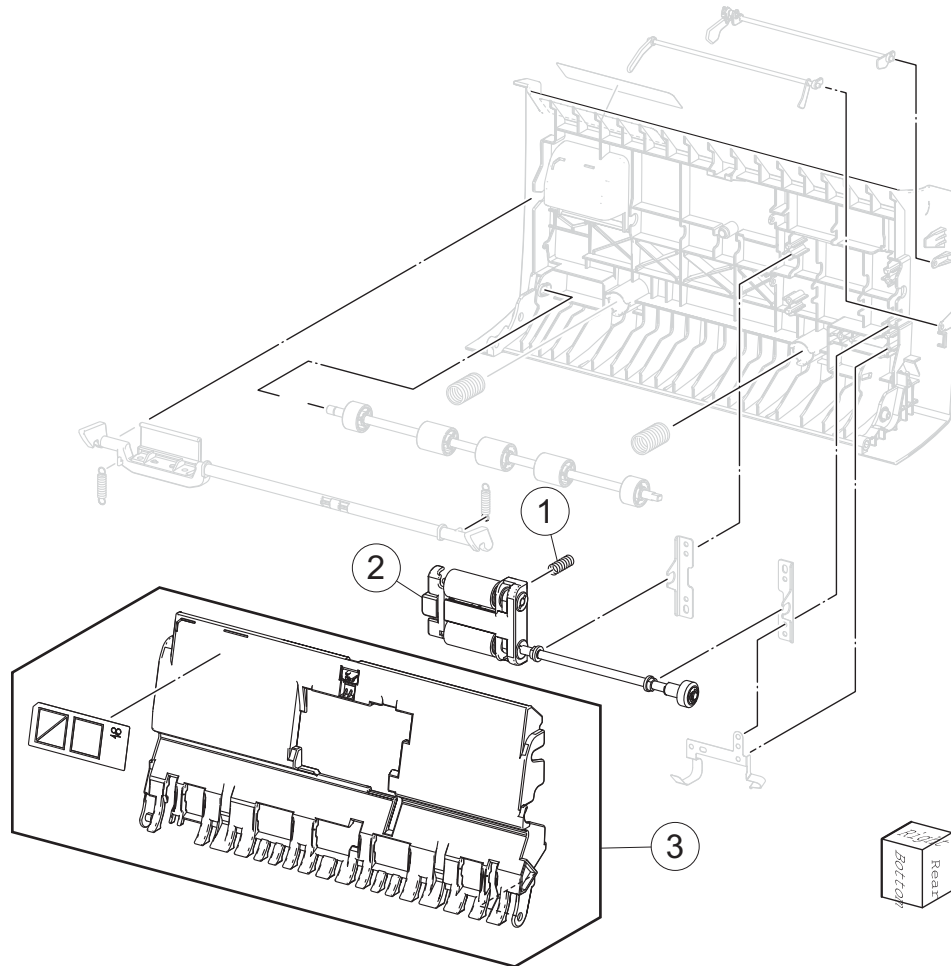
Next



Go Back

Asm-index	Part number	Units/mach	Units/FRU	Description
99-1	40X6822	1	1	ADF sensor actuator guide
2	40X6821	1	1	ADF separation roller guide
3	40X6820	1	1	ADF registration turn guide

Assembly 100: ADF left door



Previous



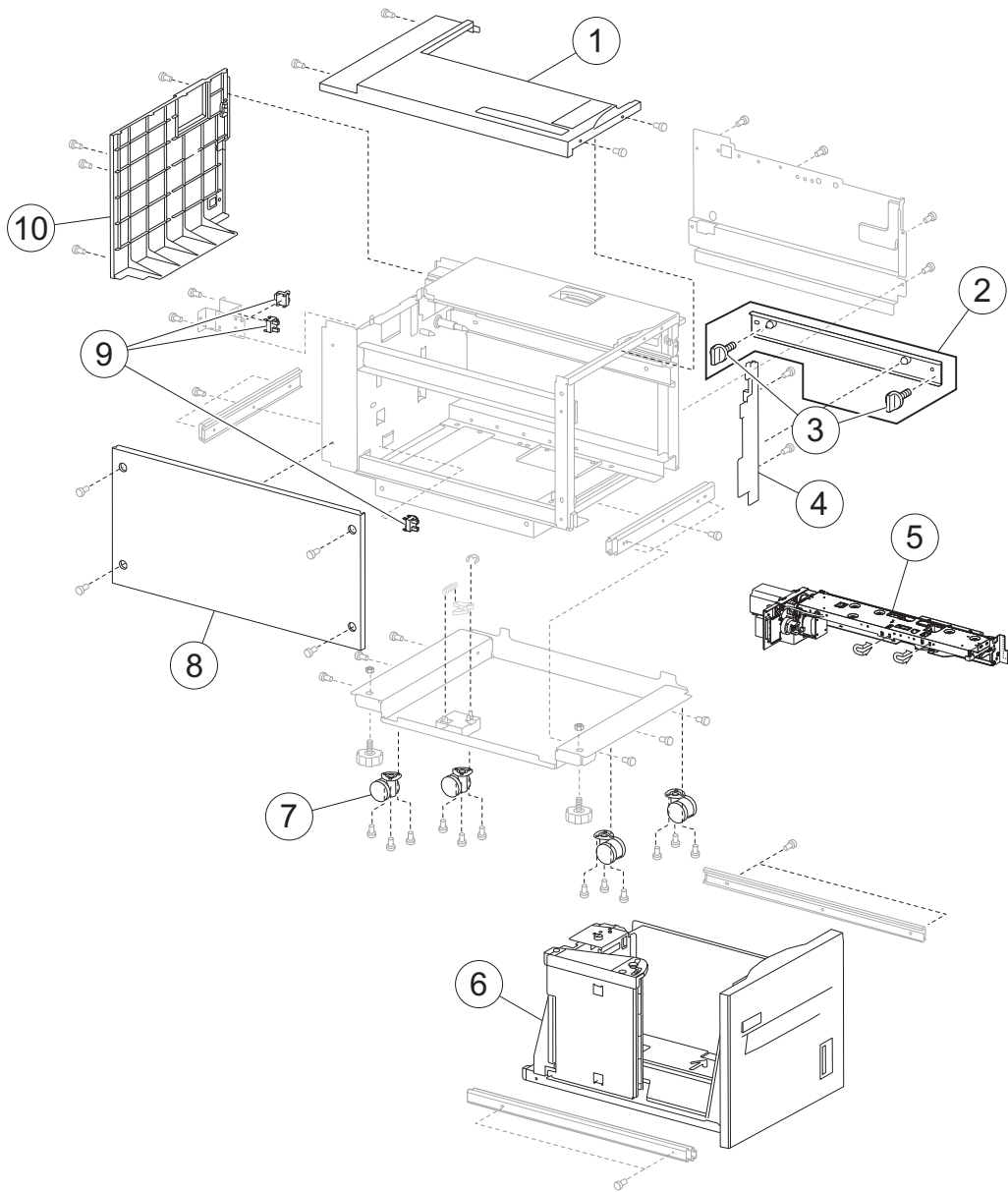
Next



Go Back

Asm-index	Part number	Units/mach	Units/FRU	Description
100-1	40X6825	1	1	Spring
2	40X6824	1	1	ADF feed/pick roller assembly
3	40X6823	1	1	ADF left door inner cover

Assembly 101: High capacity feed (HCF)—covers and media tray



Previous



Next



Go Back

Assembly 101: High capacity feed (HCF)—covers and media tray

Asm-index	Part number	Units/mach	Units/FRU	Description
101-1	40X7394	1	1	HCF top cover
2	40X0745	1	3	HCF docking bracket kit includes: <ul style="list-style-type: none"> • HCF docking bracket • HCF docking bracket screw (2)
3	40X2238	1	1	Mounting screw
4	40X7395	1	1	HCF inner front cover
5	40X7398	1	1	HCF tray 5 feeder assembly
6	40X6789	1	1	HCF media tray assembly
7	40X0741	4	1	Caster
8	40X7396	1	1	HCF left cover
9	40X0739	1	1	Sensor (HCF media tray set) <ul style="list-style-type: none"> • Sensor (HCF media size L) • Sensor (HCF media size R)
10	40X7397	1	1	HCF rear cover

Previous



Next



Go Back

Assembly 102: High capacity feed (HCF)—media tray

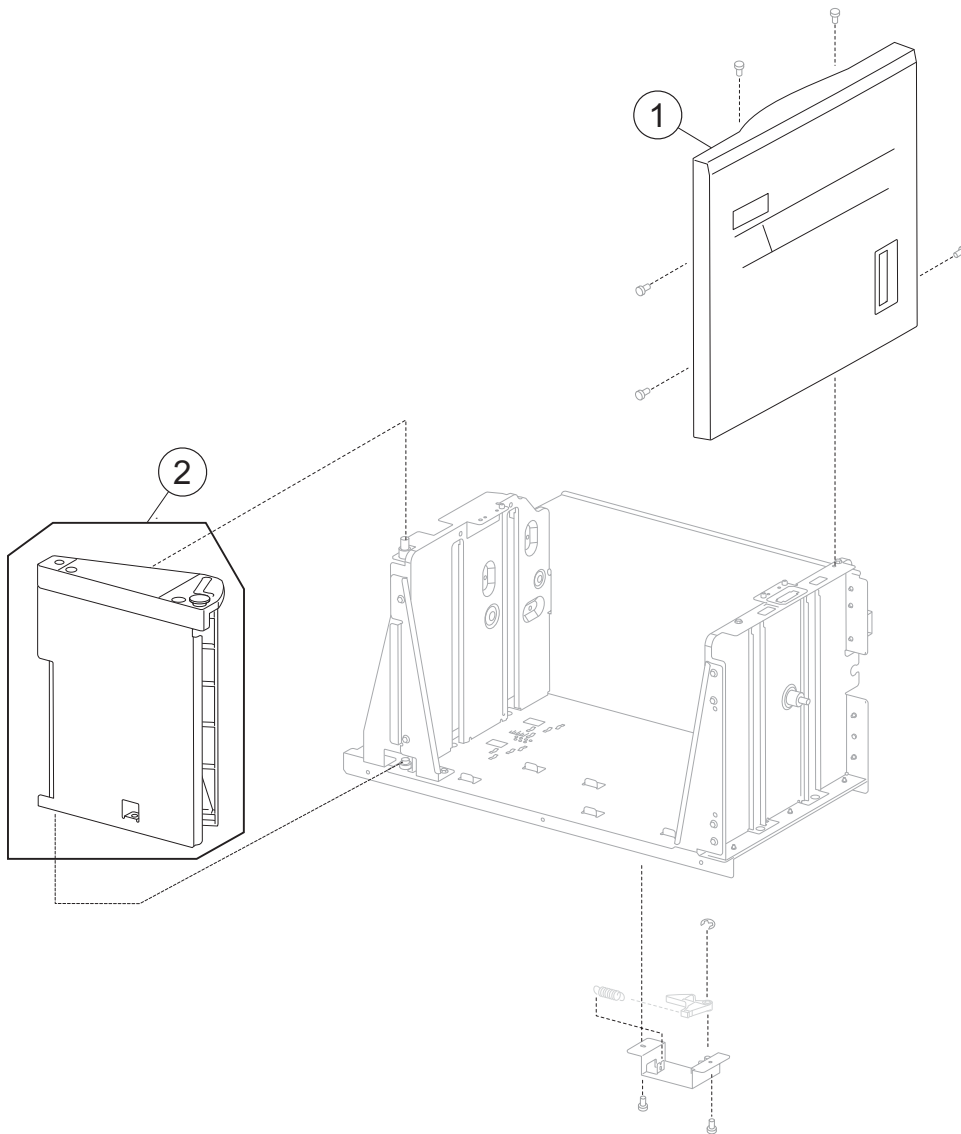
Previous



Next



Go Back



Asm-index	Part number	Units/mach	Units/FRU	Description
102-1	40X7399	1	1	HCF media tray front cover
2	40X0749	1	2	HCF media long-edge guide kit includes: <ul style="list-style-type: none"> • Media long-edge guide • Wave washer

Assembly 103: High capacity feed (HCF)—media tray lift

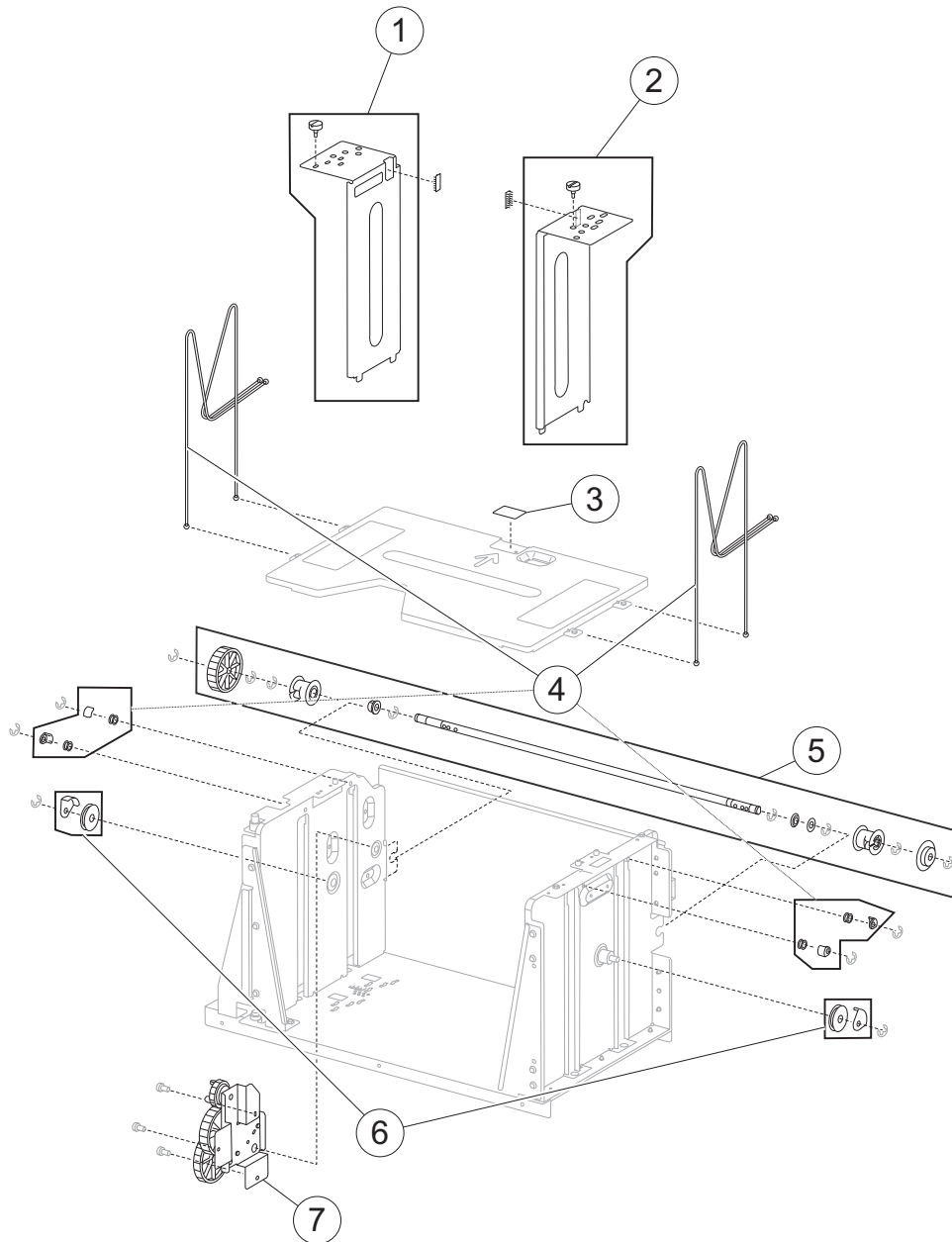
Previous



Next



Go Back



Asm-index	Part number	Units/mach	Units/FRU	Description
103-1	40X0750	1	2	HCF rear media guide kit includes: <ul style="list-style-type: none"> • HCF rear media guide • Screw
2	40X0751	1	2	HCF front media guide kit includes: <ul style="list-style-type: none"> • HCF front media guide • Screw
3	40X0752	1	1	HCF separation pad

Assembly 103 (continued): High capacity feed (HCF)—media tray lift

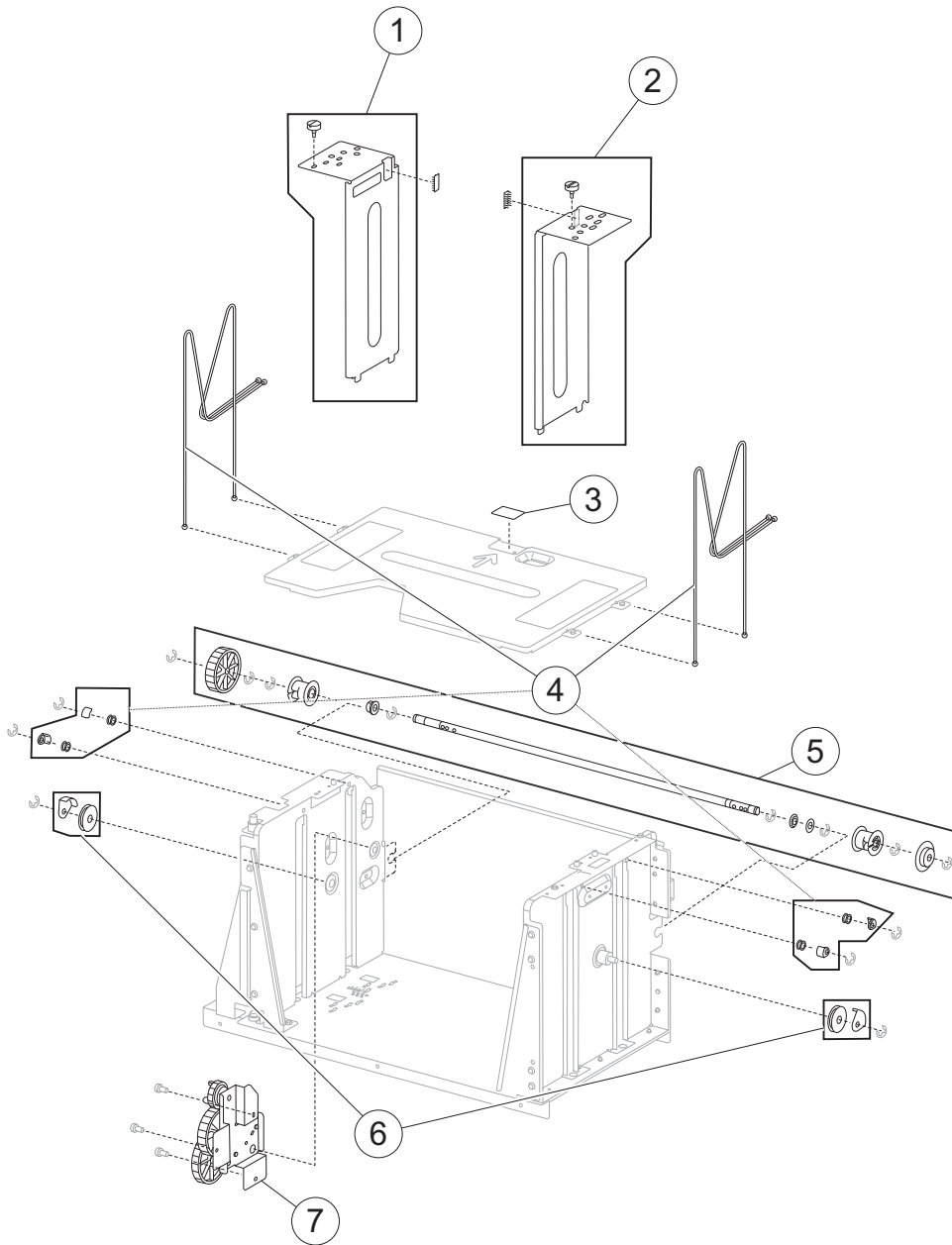
Previous



Next



Go Back



Assembly 103 (continued): High capacity feed (HCF)—media tray lift

Asm-index	Part number	Units/mach	Units/FRU	Description
4	40X0757	1	12	HCF lift cable kit includes: <ul style="list-style-type: none"> • Lift cable (4) • Lift cable pulley (4) • Lift cable guide (4)
5	40X0754	1	7	HCF media tray lift shaft kit includes: <ul style="list-style-type: none"> • Bushing 8 mm front • HCF media tray lift shaft • Bushing 8 mm rear • Washer • HCF media tray lift shaft cable pulley • HCF media tray lift shaft gear 10T • HCF media tray lift shaft gear 51T
6	40X0756	2	2	HCF lift cable large pulley kit includes: <ul style="list-style-type: none"> • HCF lift cable large pulley • HCF lift cable large guide
7	40X0753	1	1	HCF media tray lift gear bracket

Previous

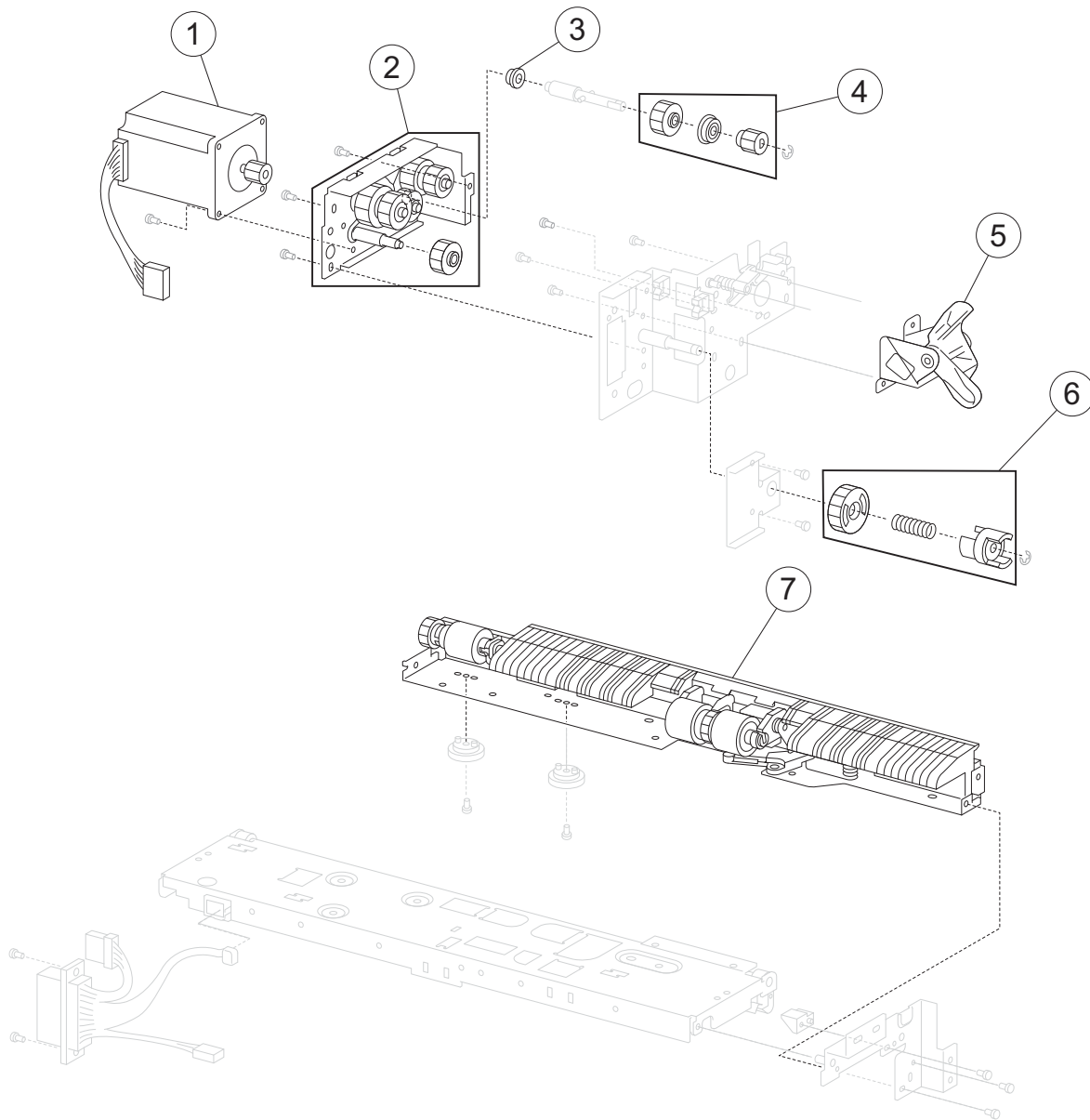


Next



Go Back

Assembly 104: High capacity feed (HCF)—media feed unit 1



Previous



Next



Go Back

Assembly 104: High capacity feed (HCF)—media feed unit 1

Asm-index	Part number	Units/mach	Units/FRU	Description
104-1	40X0759	1	1	HCF feed lift motor
2	40X0760	1	1	HCF feed lift gear bracket
3	40X0913	1	1	Ball bearing 6 mm
4	40X0761	1	3	HCF separation drive gear kit includes: <ul style="list-style-type: none"> • HCF separation drive gear 25T • Bushing 6 mm • HCF separation drive gear 19T
5	40X6790			HCF pick roller raise lever
6	40X0763	1	3	HCF media tray lift coupling kit includes: <ul style="list-style-type: none"> • HCF media tray lift coupling gear 40T • Spring • HCF media tray lift coupling
7	40X0771	1	1	HCF separation roller shaft assembly

Previous



Next



Go Back

Assembly 105: High capacity feed (HCF)—media feed unit 2

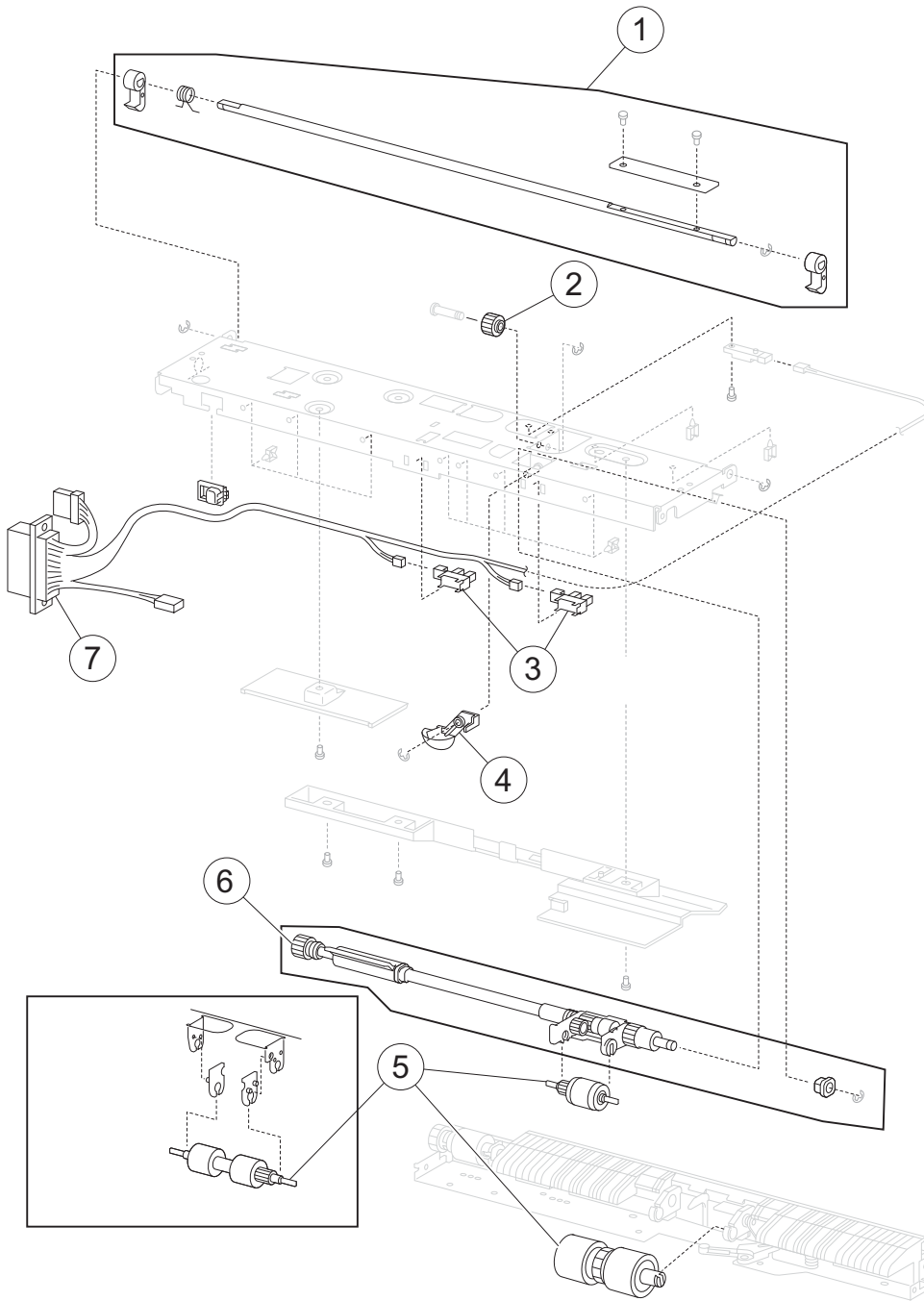
Previous



Next



Go Back



Assembly 105: High capacity feed (HCF)—media feed unit 2

Asm-index	Part number	Units/mach	Units/FRU	Description
105-1	40X0764	1	5	HCF feed unit latch kit includes: <ul style="list-style-type: none"> • HCF feed unit latch • Spring • HCF feed unit latch shaft • HCF feed unit latch cover
2	40X0765	1	1	HCF pick roller idler gear
3	40X0768	1	1	Sensor (tray 5 media out)
3	40X0768	1	1	Sensor (tray 5 media level)
4	40X0767	1	1	HCF media out actuator
5	40X0770	1	3	HCF feed unit roller kit includes: <ul style="list-style-type: none"> • Feed roller • Pick roller • Separation roller
6	40X0769	1	2	HCF pick roller shaft kit includes: <ul style="list-style-type: none"> • HCF pick roller shaft assembly • Bushing 6mm
7	40X0766	1	1	HCF feed unit cable assembly

Previous



Next



Go Back

Assembly 106: High capacity feed (HCF)—top door and transport

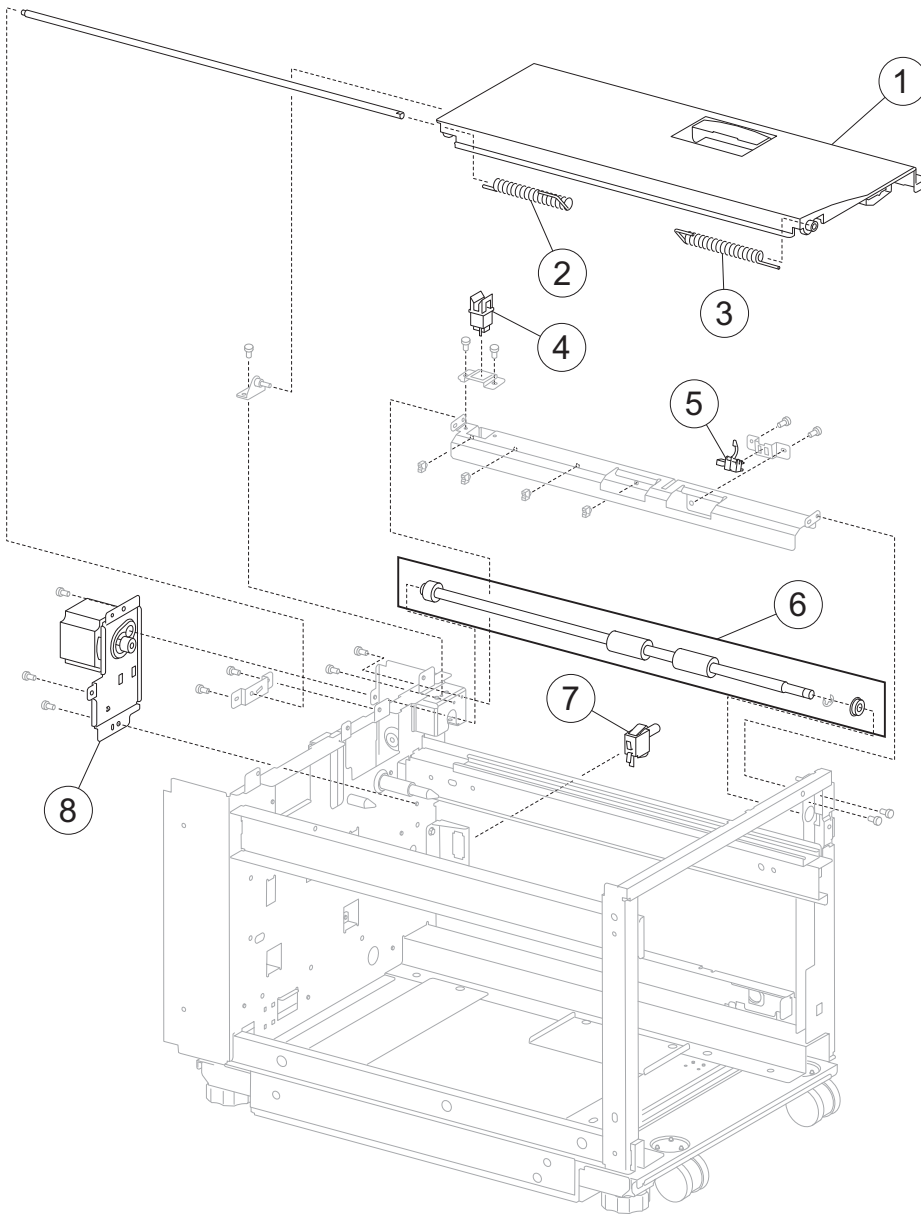
Previous



Next

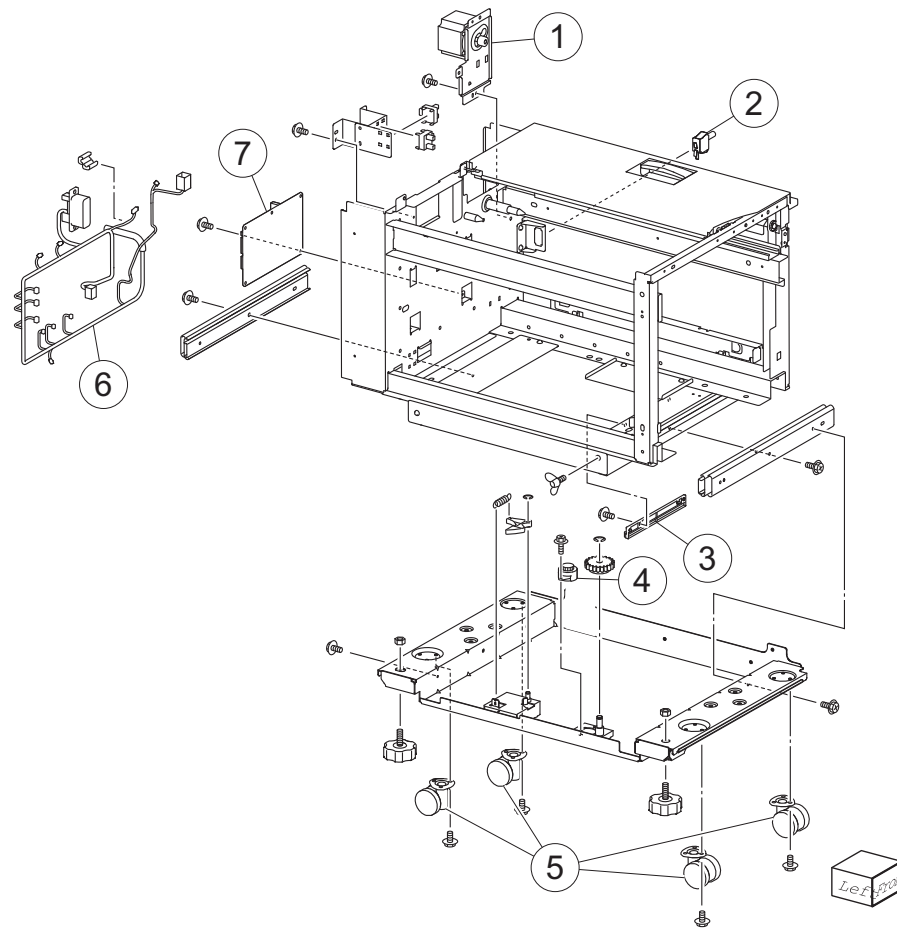


Go Back



Asm-index	Part number	Units/mach	Units/FRU	Description
106-1	40X7471			HCF top door
2	40X7440			HCF top door rear spring
3	40X7450			HCF top door front spring
4	40X0553	1	1	Sensor (HCF top door interlock)
5	40X0774	1	1	Sensor (tray 5 feed out)
6	40X0775	1	2	HCF media transport roller kit includes: <ul style="list-style-type: none"> • HCF media transport roller assembly • 8mm ball bearing
7	40X0777	1	1	Sensor (HCF unit docking interlock)
8	40X0776	1	1	HCF transport motor

Assembly 107: High capacity feed (HCF)—drive and electrical



Previous



Next



Go Back

Asm-index	Part number	Units/mach	Units/FRU	Description
107-1	40X0776	1	1	HCF transport motor
2	40X0777	1	1	Sensor (HCF unit docking interlock)
3	40X6792	1	1	HCF rack gear
4	40X6793	1	1	HCF sliding damper
5	40X0741	1	1	HCF caster
6	40X0779	1	1	HCF main cable
7	40X6791	1	1	HCF controller card PCBA

Assembly 108: Miscellaneous

Asm-index	Part number	Units/FRU	Description
NS	40X5301	1	256MB memory option
NS	40X5302	1	512MB memory option
NS	40X5303	1	1GB memory option
NS	40X7058	1	160GB hard drive
NS	40X5704	1	256MB flash memory
NS	40X7515	1	Bar code card assembly (Lexmark X95x)
NS	40X7509	1	PRESCRIBE card assembly (Lexmark X95x)
NS	40X7051	1	PrintCryption card assembly
NS	40X5969	1	Korean font card
NS	40X5970	1	Simplified Chinese font card
NS	40X5971	1	Traditional Chinese font card
NS	40X5972	1	Japanese font card
NS	40X6337	1	Arabic font card
NS	40X4826	1	MarkNet N8120 gigabit ethernet print server
NS	40X4827	1	MarkNet N8130 fiber ethernet print server
NS	40X7062	1	MarkNet N8250 802.11b/g/n wireless print server (US/Americas)
NS	40X7063	1	MarkNet N8250 802.11b/g/n wireless print server (rest of the world)
NS	40X4819	1	RS-232C serial interface card
NS	40X4823	1	Parallel 1284-B interface card
NS	40X7055	1	Fax card
NS	40X1367	1	10-Foot parallel printer cable
NS	40X1368	1	2-meter USB printer cable
NS	40X7530	1	200K maintenance ADF kit
NS	40X7540	1	160K maintenance kit
NS	40X7550	1	320K maintenance kit (110V)
NS	40X7568	1	320K maintenance kit (100V)
NS	40X7569	1	320K maintenance kit (220V)
NS	40X7560	1	480K maintenance kit
NS	40X0271	1	UK straight power cord
NS	40X0301	1	Australia 8ft straight power cord
NS	40X3609	1	Japan power cord
NS	40X1792	1	Korea power cord
NS	40X0303	1	PRC power cord
NS	40X1791	1	Taiwan power cord
NS	40X7104	1	USA power cord
NS	40X0288	1	Argentina power cord

Previous



Next



Go Back

Assembly 108 (continued): Miscellaneous

Asm-index	Part number	Units/FRU	Description
NS	40X3141	1	Spain 8ft straight power cord
NS	40X4596	1	Brazil power cord
NS	40X0273	1	Chile Uruguay power cord
NS	40X0275	1	Israel power cord
NS	40X1773	1	South Africa power cord
NS	40X1772	1	Switzerland power cord
NS	40X6306	1	UICC to display cable
NS	40X6963	1	CAC card reader
NS	40X6964	1	Small CAC card reader case
NS	40X6965	1	Large CAC card reader case

Previous



Next



Go Back

Previous



Next



Go Back

Index

Numerics

111.01–191.25 service checks **2-43**
 1st transfer conductor housing **4-24**
 1st transfer retract clutch assembly **4-26**
 1TM main components **3-126**
 1TM paper path **3-124**
 1TM theory **3-123**
 1TM media feed units **3-125**
 media transport **3-124**
 media tray assembly **3-124**
 1xx service error codes **2-12**
 200.01–295.04 service checks **2-89**
 2nd transfer roller **4-28**
 2xx service error codes **2-21**
 381.01–381.41 service checks **2-169**
 3TM left door **4-269**
 3TM paper path **3-118**
 3TM theory **3-117**
 3TM media feed units **3-119**
 main components **3-120**
 media transport **3-118**
 media tray assembly **3-118**
 3xx service error codes **2-27**
 401.01–493.05 service checks **2-210**
 4xx service error codes **2-31**
 650-sheet duo drawer **1-1**
 841.00–849.00 service checks **2-240**
 8xx service error codes **2-34**
 910.02–999.00 service checks **2-255**
 9xx service error codes **2-37**

A

acronyms **1-16**
 ADF angle actuator **4-202**
 ADF controller PCBA **4-203**
 ADF document tray **4-205**
 ADF feed roller **4-210**
 ADF feed/pick roller assembly **4-210**
 ADF front cover **4-213**
 ADF left hinge **4-213**
 ADF main drive sub assembly **4-215**
 ADF nip release solenoid **4-216**
 ADF paper path **3-74**
 ADF rear cover **4-218**
 ADF right hinge **4-219**
 ADF scan pad **4-221**
 ADF sensor actuator guide **4-222**
 ADF separation roller guide **4-223**
 ADF top door **4-225**
 ATC sensor PCB **4-30**
 ATC sensor PCB bracket **4-29**
 authentication PCBA **4-226**
 automatic document feeder assembly **4-227**

B

booklet bin **4-321**
 booklet bin hookup cable assembly **4-321**
 booklet controller card assembly **4-322**
 booklet diverter gate **4-323**
 booklet fold solenoid **4-325**
 booklet front tamper guide **4-326**
 booklet knife sector drive gear 42T **4-328**
 booklet media pinch roll assembly **4-330**
 booklet paddle drive motor assembly **4-330**
 booklet rear tamper guide **4-331**
 booklet stapler unit assembly **4-333**
 booklet unit chassis **4-335**
 bridge decurler rear cover **4-301**
 bridge decurler right cover **4-302**
 bridge decurler top cover **4-302**
 bridge error codes **2-31**
 bridge PCBA **4-32**
 bridge service checks **2-210**
 bridge top door **4-306**
 bridge unit **4-305**
 bridge unit paper path **3-78**
 bridge unit top door spring **4-307**
 buffer diverter gate **4-337**
 buffer diverter solenoid **4-338**
 buffer pinch guide assembly **4-339**
 buffer roll **4-344**

C

C developer carrier **4-46**
 C toner drop auger **4-35**
 charge roll HVPS cooling fan **4-38**
 charge roll HVPS PCBA **4-40**
 clearance specifications **1-5**
 CMYK toner dispense auger assembly **4-41**
 color theory **3-74**
 Configuration Menu
 Action for prompts **3-7**
 ADF Edge Erase **3-8**
 Automatic Alignment Adjust Calibration **3-8**
 Automatically Display Error Screens **3-8**
 available settings **3-6**
 Black Only Mode **3-8**
 Booklet Adjustments **3-8**
 Clear Custom Status **3-8**
 Color Trapping **3-9**
 Disable Scanner **3-9**
 Disk Encryption **3-9**
 Energy Conserve **3-9**
 entering **3-6**
 Envelope Prompts **3-9**
 Erase all Information on Disk **3-10**
 Exit Tray 2 **3-10**
 Factory Defaults **3-10**

Previous



Next



Go Back

- Fax Low Power Support [3-10](#)
- Fax Storage Location [3-11](#)
- FB Edge Erase [3-11](#)
- Font Sharpening [3-11](#)
- Format Fax Storage [3-11](#)
- Jobs on Disk [3-11](#)
- Key Repeat Initial Delay [3-12](#)
- Key Repeat Rate [3-12](#)
- Min Copy Memory [3-12](#)
- NumPad Job Assist [3-12](#)
- Panel Menus [3-13](#)
- Paper Prompts [3-13](#)
- PPDS Emulation [3-13](#)
- Print Quality Pages [3-13](#)
- REGISTRATION [3-13](#)
- Reports [3-14](#)
- Require Standby [3-14](#)
- Reset Maintenance Counter Value [3-14](#)
- Reset Separator Roll and Pick Assembly Counter [3-14](#)
- Short-edge Printing [3-14](#)
- Size Sensing [3-15](#)
- Tray Insert Message Delay [3-15](#)
- UI Automation [3-15](#)
- USB Scan to Local [3-16](#)
- USB Speed [3-16](#)
- Wipe All Settings [3-16](#)
- configuration menu [3-6](#)
- connectivity specifications [1-3](#)
- connector locations [5-1](#)
 - ADF/scanner [5-24](#)
 - finisher [5-38](#)
 - HCF [5-55](#)
 - printer [5-4](#)
 - tray module [5-30](#)
- controller cooling fan [4-44](#)
- conventions [ii-xxxix](#)

D

- data streams specifications [1-5](#)
- decurler clutch [4-310](#)
- developer housing [4-49](#), [4-55](#), [4-61](#), [4-67](#)
- developer housing rear plunger [4-73](#)
- developer HVPS PCBA [4-75](#)
- diagnostic information
 - error codes and messages [2-3](#)
 - image quality checks [2-263](#)
 - POR [2-2](#)
 - service checks [2-40](#)
- Diagnostics Menu
 - available tests [3-17](#)
 - DEVICE TESTS [3-19](#)
 - DUPLEX TESTS [3-20](#)
 - entering [3-17](#)
 - EVENT LOG (Diagnostics Menu) [3-20](#)
 - FINISHER TESTS [3-21](#)
 - HARDWARE TESTS [3-22](#)
 - INPUT TRAY TESTS [3-23](#)
 - MOTOR TESTS [3-23](#)
 - OUTPUT BIN TESTS [3-25](#)
 - PRINT TESTS [3-25](#)

- PRINTER SETUP [3-26](#)
- REPORTS [3-27](#)
- SCANNER TESTS [3-27](#)
- SENSOR TESTS [3-29](#)
- dimensions specifications [1-5](#)
- diverter solenoid [4-347](#)
- duplex texts [3-20](#)

E

- eject shaft roll [4-342](#)
- electronics specifications [1-2](#)
- environment specifications [1-6](#)
- error codes
 - 1xx service error codes [2-12](#)
 - 2xx service error codes [2-21](#)
 - 3xx service error codes [2-27](#)
 - 4xx service error codes [2-31](#)
 - 8xx service error codes [2-34](#)
 - 9xx service error codes [2-37](#)
 - user status messages [2-3](#)
- ESD-sensitive parts [4-1](#)
- eSF solutions backup [4-152](#)
- event log [3-20](#)

F

- FB CCD sensor assembly [4-227](#)
- features [1-1](#)
- feeder slide guide [4-77](#)
- finisher bottom cover [4-344](#)
- finisher diverter gate [4-347](#)
- finisher error codes [2-27](#)
- finisher front door assembly [4-348](#)
- finisher left lift carriage assembly [4-349](#)
- finisher left upper cover [4-360](#)
- finisher LVPS PCBA [4-351](#)
- finisher media entrance roll [4-352](#)
- finisher media input types specifications [1-9](#)
- finisher media path [3-79](#)
- finisher motors [3-82](#)
- finisher PCBA [4-353](#)
- finisher rear lower cover [4-380](#)
- finisher rear upper cover [4-380](#)
- finisher right lift carriage assembly [4-357](#)
- finisher rolls [3-80](#)
- finisher sensors [3-81](#)
- finisher service checks [2-169](#)
- finisher theory [3-78](#)
- finisher top cover [4-421](#)
- finishing features [1-10](#)
- flatbed scanner assembly [4-230](#)
- front left cooling fan [4-78](#)
- front right cooling fan [4-80](#)
- front upper cooling fan [4-82](#)
- fuser assembly [4-84](#)
- fuser cooling fan [4-84](#)
- fuser driver PCBA [4-90](#)
- fuser driver PCBA cooling fan [4-87](#)

Previous



Next



Go Back

G

- general information [1-1](#)
- acronyms [1-16](#)
- media handling specifications [1-7](#)
- models [1-1](#)
- options and features [1-1](#)
- printer specifications [1-2](#)
- tools required for service [1-15](#)

H

- HCF caster [4-429](#)
- HCF controller card PCBA [4-429](#)
- HCF feed unit roller kit [4-431](#)
- HCF left cover [4-432](#)
- HCF lift cable kit [4-433](#)
- HCF Media long edge guide kit [4-434](#)
- HCF media out actuator [4-435](#)
- HCF media transport roller kit [4-449](#)
- HCF media tray assembly [4-436](#)
- HCF media tray front cover [4-437](#)
- HCF media tray lift coupling kit [4-438](#)
- HCF pick roll shaft kit [4-439](#)
- HCF rear cover [4-441](#)
- HCF separation drive gear kit [4-444](#)
- HCF separation roller shaft assembly [4-446](#)
- HCF top cover [4-446](#)
- HCF top door [4-447](#)
- home screen, understanding [3-2](#)

I

- image quality checks
 - after image (ghosting) [2-278](#)
 - background fog [2-279](#)
 - blank print (no print) [2-266](#)
 - color misregistration [2-285](#)
 - deletions [2-286](#)
 - diagonal banding [2-288](#)
 - faint print (low contrast) [2-264](#)
 - high frequency bands [2-287](#)
 - horizontal stripes (side to side direction) [2-273](#)
 - horizontal white stripes or bands (side-to-side direction) [2-270](#)
 - media damage [2-282](#)
 - no fuse [2-284](#)
 - paper skew [2-281](#)
 - partial lack [2-275](#)
 - solid black [2-268](#)
 - spots [2-276](#)
 - vertical lines and bands (process direction) [2-269](#)
 - vertical stripes (process direction) [2-272](#)
- image quality troubles
 - after image [2-278](#)
 - background (fog) [2-279](#)
 - blank print (no print) [2-266](#)
 - color misregistration [2-285](#)
 - deletions [2-286](#)
 - faint print (low contrast) [2-264](#)
 - high frequency bands [2-287](#)
 - horizontal stripes (side to side) [2-273](#)
 - horizontal white stripes or bands (side to side) [2-270](#)

- image quality [2-264](#)
- media damage [2-282](#)
- no fuse [2-284](#)
- partial lack [2-275](#)
- skew [2-281](#)
- solid black [2-268](#)
- spots [2-276](#)
- troubleshooting [2-263](#)
- vertical lines and bands [2-269](#)
- vertical stripes [2-272](#)

- inner cover [4-4](#)
- inner plate [4-98](#)
- input source specifications [1-7](#)
- internal rear cover [4-6](#)

J

- jam numbers and locations, understanding [3-33](#)
- jams, avoiding [3-32](#)

K

- K developer carrier [4-46](#)
- K toner drop auger [4-100](#)

L

- large platen glass [4-234](#)
- LED exposure bar [4-235](#)
- LED printhead [4-102](#)
- left rear lower cover [4-7](#)
- left upper cover [4-7](#)
- lithium battery [ii-xxvii](#)
- lower engine PCBA [4-104](#)
- lower media exit roll [4-360](#)
- lubrication specifications [6-3](#)
- LVPS front fan guide [4-111](#)
- LVPS PCBA [4-112](#)
- LVPS sub cooling fan [4-115](#)

M

- M developer carrier [4-46](#)
- M toner drop auger [4-116](#)
- main power GFI interface [4-119](#)
- main power switch [4-121](#)
- maintenance counter value, resetting [3-14](#)
- maintenance scheduled [6-4](#)
- media eject clamp clutch [4-368](#)
- media eject motor assembly [4-369](#)
- media entrance pinch guide [4-373](#)
- media feed lift motor [4-121](#)
- media guidelines [1-12](#)
 - paper, selecting [1-13](#)
 - paper, storing [1-15](#)
 - preprinted forms and letterhead, selecting [1-13](#)
 - recycled paper and other office papers, using [1-14](#)
 - unacceptable paper [1-13](#)
- media handling
 - input sources [1-7](#)
 - output [1-7](#)
- media input size specifications [1-7](#)

Previous



Next



Go Back

media input type specifications
 finisher **1-9**
 printer **1-9**
 media out actuator **4-123**
 media size switch PCB **4-123**
 menu map **3-3**
 MFP operator panel PCBA **4-131**
 MFP paper path **3-66**
 MFP paper path rolls **3-66**
 MFP RIP PCBA **4-150**
 MFP sensors **3-67**
 MFP specifications **1-2**
 MFP standard bin LED **4-164**
 models **1-1**
 motor
 1st BTR retract **4-97**
 ADF feed **4-209**
 ADF registration **4-218**
 booklet end guide drive **4-324**
 booklet front tamper **4-327**
 booklet rear tamper **4-332**
 bridge drive **4-303**
 clamp drive **4-340**
 developer drive **4-138**
 fuser **4-97**
 fuser pressure roll retract **4-94**
 HCF feed lift **4-430**
 HCF transport **4-449**
 lower redrive **4-97**
 lower redrive shift **4-105**
 media transport **4-124**
 MPF drive **4-124**
 PC drive **4-138**
 punch carriage shift **4-377**
 punch unit **4-378**
 registration drive **4-147**
 stacker bin lift **4-407**
 stepper **4-414, 4-416, 4-417**
 tray module lower transport **4-280**
 TTM lower transport **4-280, 4-289**
 TTM upper transport **4-299**
 waste toner agitator **4-191**
 motor tests **3-23**
 ADF/scanner **3-24**
 finisher **3-24**
 printer **3-23**
 MPF roller **4-127**
 MPF top cover **4-8**
 MPF tray feeder **4-128**

N

navigation buttons **ii-xxx**
 notices and safety information **1-xxiii**

O

operating modes **1-4**
 operator panel (MFP) **4-129**
 operator panel front cover **4-8**
 operator panel front cover w/ slot **4-8**
 operator panel left cover **4-10**

operator panel right cover **4-11**
 operator panel speaker **4-132**
 operator panel top cover (MFP) **4-11**
 operator panel, understanding **3-1**
 options **1-1**
 options and features
 finisher
 stapler **3-96**
 upper media bin **3-103**
 high capacity feed **3-129**
 HCF media feed unit assembly operation **3-131**
 HCF media feed unit assembly sensor/motor functions **3-133**
 HCF media transport roll assembly operation **3-132**
 media feeding **3-130**
 status monitoring **3-134**
 output source specifications **1-7**

P

paddle shaft **4-374**
 paper jam error codes **2-12, 2-21**
 paper jam service checks **2-89**
 paper jams **3-32**
 paper, selecting **1-13**
 paper, storing **1-15**
 parts catalog
 ADF **7-95**
 finisher **7-65**
 HCF **7-106**
 miscellaneous **7-118**
 printer **7-2**
 PC smart chip socket **4-134**
 PC/developer drive motor cooling fan **4-136**
 PCBA
 ADF controller **4-203**
 authentication **4-226**
 bridge **4-32**
 charge roll HVPS **4-40**
 developer HVPS **4-75**
 finisher **4-353**
 finisher LVPS **4-351**
 fuser driver **4-90**
 HCF controller card **4-429**
 lower engine **4-104**
 LVPS **4-112**
 MFP operator panel **4-131**
 MFP RIP **4-150**
 scanner controller **4-238**
 sub LVPS **4-165**
 transfer roll HVPS **4-181**
 tray module controller **4-279**
 upper printer engine **4-187**
 pick roller **4-141**
 POR sequence **2-2**
 power off **4-2**
 power-on sequence (POR) **2-2**
 preprinted forms and letterhead, selecting **1-13**
 print engine error codes **2-12**
 print engine service checks **2-43**
 print engine theory **3-58**



print quality page **3-13**
 print tests **3-25**
 printer front door **4-13**
 printer left duplex door assembly **4-142**
 printer media input types specifications **1-9**
 printer media turn guide **4-143**
 printer removals **4-4**
 printer right cover **4-14**
 printer top cover **4-15**
 printer tray 1 media feeder **4-144**
 printhead retract door **4-145**
 printing process **3-58**
 punch carriage **4-375**

R

rear lower cover **4-17**
 rear upper cover **4-19**
 recycled paper, using **1-14**
 registration/transport roller assembly **4-149**
 removals, bridge unit
 bridge decurler rear cover **4-301**
 bridge decurler right cover **4-302**
 bridge decurler top cover **4-302**
 bridge drive motor **4-303**
 bridge unit assembly **4-305**
 bridge unit rear cover **4-306**
 bridge unit top door **4-306**
 bridge unit top door spring **4-307**
 decurler clutch **4-310**
 sensor (bridge media entrance) **4-312**
 sensor (bridge media exit) **4-314**
 sensor (bridge top door interlock) **4-316**
 sensor (decurler cam HP) **4-318**
 sensor (decurler cover interlock) **4-319**
 removals, finisher
 booklet bin assembly **4-321**
 booklet bin hookup cable assembly **4-321**
 booklet controller card assembly **4-322**
 booklet diverter gate **4-323**
 booklet end guide drive motor **4-324**
 booklet fold solenoid **4-325**
 booklet fold solenoid frame **4-325**
 booklet folding/exit drive motor assembly **4-326**
 booklet front tamper guide **4-326**
 booklet front tamper motor **4-327**
 booklet knife sector drive gear 42T **4-328**
 booklet media entrance drive motor **4-329**
 booklet media pinch roll assembly **4-330**
 booklet paddle drive motor assembly **4-330**
 booklet rear tamper guide **4-331**
 booklet rear tamper motor **4-332**
 booklet stapler unit assembly **4-333**
 booklet unit assembly left cover **4-334**
 booklet unit chassis **4-335**
 booklet unit gear train frame **4-336**
 buffer diverter gate **4-337**
 buffer diverter gate solenoid **4-338**
 buffer pinch guide assembly **4-339**
 clamp drive motor **4-340**
 clamp paddle **4-341**

eject roll shaft **4-342**
 finisher **4-355**
 finisher bottom cover **4-344**
 finisher buffer roll assembly **4-344**
 finisher diverter gate **4-347**
 finisher diverter gate solenoid **4-347**
 finisher front door assembly **4-348**
 finisher left carriage belt assembly **4-349**
 finisher LVPS PCBA **4-351**
 finisher media entrance roll assembly **4-352**
 finisher PCBA **4-353**
 finisher right carriage belt **4-357**
 left lower cover **4-359**
 left upper cover **4-360**
 lower media exit roll assembly **4-360**
 lower pinch guide assembly **4-364**
 media compiler unit assembly **4-365**
 media eject clamp clutch **4-368**
 media eject motor assembly **4-369**
 media eject unit assembly **4-370**
 media entrance pinch guide assembly **4-373**
 paddle shaft **4-374**
 punch carriage assembly **4-375**
 punch carriage shift motor assembly **4-377**
 punch unit motor assembly **4-378**
 rear lower cover **4-380**
 rear upper cover **4-380**
 right eject cover **4-381**
 sensor (booklet compiler media entrance) **4-382**
 sensor (booklet end guide HP) **4-383**
 sensor (booklet front tamper HP) **4-383**
 sensor (booklet knife folding) **4-384**
 sensor (booklet knife HP) **4-385**
 sensor (booklet media entrance) **4-386**
 sensor (booklet rear tamper HP) **4-387**
 sensor (booklet unit interlock) **4-387**
 sensor (booklet unit media exit) **4-388**
 sensor (buffer path) **4-389**
 sensor (compiler media present) **4-390**
 sensor (diverter gate) **4-390**
 sensor (finisher media entrance) **4-391**
 sensor (front tamper HP) **4-392**
 sensor (lower media exit) **4-393**
 sensor (media eject clamp HP) **4-394**
 sensor (media eject shaft HP) **4-395**
 sensor (punch cam front) **4-397**
 sensor (punch carriage shift HP) **4-396**
 sensor (punch unit HP) **4-397**
 sensor (punch unit motor encoder) **4-398**
 sensor (punch unit side registration pair) with bracket
 4-399
 sensor (punch waste box set) **4-400**
 sensor (rear tamper HP) **4-392**
 sensor (stacker bin level encoder) **4-402**
 sensor (stacker bin level F) **4-401**
 sensor (stacker bin level R) **4-402**
 sensor (stacker bin upper limit) or sensor (stacker bin no
 media) **4-403**
 sensor (stapler carriage HP) **4-404**

Previous



Next



Go Back

- sensor (upper media bin full) [4-405](#)
- sensor (upper media exit) [4-406](#)
- stacker bin lift motor assembly [4-407](#)
- stacker media bin assembly [4-410](#)
- stapler unit assembly [4-410](#)
- stapler unit frame [4-412](#)
- stepper motor and belt (buffer/transport) [4-414](#)
- stepper motor and belt (entrance/paddle) [4-416](#)
- stepper motor and belt (exit) [4-417](#)
- sub paddle [4-419](#)
- switch (eject cover interlock) [4-419](#)
- switch (finisher front door interlock) [4-420](#)
- top cover [4-421](#)
- upper media bin assembly [4-422](#)
- upper media bin front cover [4-423](#)
- upper media exit pinch roll assembly [4-423](#)
- upper media exit roll assembly [4-424](#)
- upper pinch guide assembly [4-426](#)
- upper transport roll [4-427](#)
- removals, HCF
 - HCF caster [4-429](#)
 - HCF controller card PCBA [4-429](#)
 - HCF feed lift gear bracket [4-430](#)
 - HCF feed lift motor [4-430](#)
 - HCF feed roll assembly [4-431](#)
 - HCF feed unit [4-432](#)
 - HCF left cover [4-432](#)
 - HCF lift cables [4-433](#)
 - HCF media long edge guide assembly [4-434](#)
 - HCF media out actuator [4-435](#)
 - HCF media tray assembly [4-436](#)
 - HCF media tray front cover [4-437](#)
 - HCF media tray lift coupling assembly [4-438](#)
 - HCF pick roll assembly [4-439](#)
 - HCF pick roll shaft assembly [4-439](#)
 - HCF rear cover [4-441](#)
 - HCF sensor (HCF media size) [4-441](#)
 - HCF sensor (HCF media tray set) [4-442](#)
 - HCF sensor (tray 5 feedout) [4-443](#)
 - HCF separation drive gear kit [4-444](#)
 - HCF separation roll assembly [4-445](#)
 - HCF separation roll shaft assembly [4-446](#)
 - HCF top cover [4-446](#)
 - HCF top door assembly [4-447](#)
 - HCF transport motor [4-449](#)
 - HCF transport roller kit [4-449](#)
 - HCF tray lift gear bracket [4-450](#)
 - sensor (HCF docking interlock) [4-451](#)
 - sensor (HCF top door interlock) [4-452](#)
 - sensor (tray 5 media level) [4-453](#)
 - sensor (tray 5 media out) [4-454](#)
 - sensor (tray 5 pre feed) [4-455](#)
- removals, printer
 - 1st transfer conductor housing [4-24](#)
 - 1st transfer retract clutch assembly [4-26](#)
 - 2nd transfer roller [4-28](#)
 - ATC sensor PCB [4-30](#)
 - ATC sensor PCB bracket [4-29](#)
 - bridge PCBA [4-32](#)
 - C toner auger [4-35](#)
 - charge roll HVPS cooling fan [4-38](#)
 - charge roll HVPS PCBA [4-40](#)
 - CMYK toner dispense auger assembly [4-41](#)
 - controller cooling fan [4-44](#)
 - developer carrier [4-46](#)
 - developer housing (C) [4-49](#)
 - developer housing (K) [4-55](#)
 - developer housing (M) [4-61](#)
 - developer housing (Y) [4-67](#)
 - developer housing rear plunger [4-73](#)
 - developer HVPS PCBA [4-75](#)
 - feeder slide guide [4-77](#)
 - front left cooling fan [4-78](#)
 - front right cooling fan [4-80](#)
 - front upper cooling fan [4-82](#)
 - fuser assembly [4-84](#)
 - fuser cooling fan [4-84](#)
 - fuser driver PCBA [4-90](#)
 - fuser driver PCBA cooling fan [4-87](#)
 - fuser pressure roll retract motor [4-94](#)
 - fuser/lower redrive/1st BTR retract motor [4-97](#)
 - inner cover [4-4](#)
 - inner plate [4-98](#)
 - internal rear cover [4-6](#)
 - K toner auger [4-100](#)
 - LED printhead [4-102](#)
 - left rear lower cover [4-7](#)
 - left upper guide cover [4-7](#)
 - lower engine PCBA [4-104](#)
 - lower redrive shift motor assembly [4-105](#)
 - LVPS front fan guide [4-111](#)
 - LVPS PCBA [4-112](#)
 - LVPS sub cooling fan [4-115](#)
 - M toner auger [4-116](#)
 - main power GFI interface [4-119](#)
 - main power switch [4-121](#)
 - media feed lift motor [4-121](#)
 - media out actuator [4-123](#)
 - media size switch PCB [4-123](#)
 - media transport/MPF drive motor [4-124](#)
 - MPF roller [4-127](#)
 - MPF top cover [4-8](#)
 - MPF tray feeder [4-128](#)
 - operator panel assembly [4-129](#)
 - operator panel front cover (MFP) [4-8](#)
 - operator panel left cover [4-10](#)
 - operator panel PCBA (MFP) [4-131](#)
 - operator panel right cover [4-11](#)
 - operator panel speaker (MFP) [4-132](#)
 - operator panel top cover (MFP) [4-11](#)
 - PC smart chip socket (C, M, Y, K) [4-134](#)
 - PC/developer drive motor [4-138](#)
 - PC/developer drive motor cooling fan [4-136](#)
 - pick roller [4-141](#)
 - printer front door [4-13](#)
 - printer left duplex door assembly [4-142](#)
 - printer media turn guide [4-143](#)
 - printer right cover [4-14](#)



- printer top cover [4-15](#)
 - printer tray 1 feeder [4-144](#)
 - printhead retract door [4-145](#)
 - rear lower cover [4-17](#)
 - rear upper cover [4-19](#)
 - registration drive motor [4-147](#)
 - registration/transport roller assembly [4-149](#)
 - RIP PCBA [4-150](#)
 - scanner left cover [4-19](#)
 - scanner rear cover [4-20](#)
 - scanner right cover [4-21](#)
 - scanner top cover [4-22](#)
 - sensor (image calibration) [4-153](#)
 - sensor (media level) [4-154](#)
 - sensor (media on belt) [4-155](#)
 - sensor (media out) [4-156](#)
 - sensor (printer left duplex door interlock) [4-158](#)
 - sensor (printer left front door interlock) [4-160](#)
 - sensor (printer right front door interlock) [4-162](#)
 - sensor (tray 1 pre-feed) [4-163](#)
 - standard bin LED (MFP) [4-164](#)
 - sub LVPS PCBA [4-165](#)
 - suction [4-170](#)
 - suction fan [4-168](#)
 - toner dispense motor [4-170](#)
 - toner smart chip PCB [4-173](#)
 - touch screen (MFP) [4-174](#)
 - transfer belt assembly [4-175](#)
 - transfer belt cleaner [4-178](#)
 - transfer belt lever [4-180](#)
 - transfer roll HVPS PCBA [4-181](#)
 - upper exhaust cooling fan [4-184](#)
 - upper printer engine PCBA [4-187](#)
 - upper redrive assembly [4-189](#)
 - waste toner agitator motor [4-191](#)
 - waste toner auger chute [4-194](#)
 - waste toner sensor guide [4-196](#)
 - waste toner shaft gate [4-197](#)
 - Y toner auger [4-199](#)
 - removals, scanner
 - ADF angle actuator [4-202](#)
 - ADF controller PCBA [4-203](#)
 - ADF diverter gate solenoid [4-204](#)
 - ADF document tray [4-205](#)
 - ADF feed motor [4-209](#)
 - ADF feed/pick roller assembly [4-210](#)
 - ADF front cover [4-213](#)
 - ADF left hinge [4-213](#)
 - ADF main drive sub assembly [4-215](#)
 - ADF nip release solenoid [4-216](#)
 - ADF rear cover [4-218](#)
 - ADF registration motor [4-218](#)
 - ADF right hinge [4-219](#)
 - ADF scan pad [4-221](#)
 - ADF sensor actuator guide [4-222](#)
 - ADF separation roller guide [4-223](#)
 - ADF top door [4-225](#)
 - authentication PCBA [4-226](#)
 - automatic document feeder (ADF) assembly [4-227](#)
 - FB CCD sensor assembly [4-227](#)
 - flatbed scanner assembly [4-230](#)
 - large platen glass [4-234](#)
 - LED exposure bar [4-235](#)
 - scanner carriage motor [4-236](#)
 - scanner controller PCBA [4-238](#)
 - sensor (ADF angle) [4-241](#)
 - sensor (ADF closed interlock) [4-242](#)
 - sensor (ADF document set) [4-242](#)
 - sensor (ADF feedout) [4-243](#)
 - sensor (ADF inverter) [4-244](#)
 - sensor (ADF pre-registration) [4-244](#)
 - sensor (ADF registration) [4-247](#)
 - sensor (ADF scan width 1) [4-251](#)
 - sensor (ADF scan width 2) [4-254](#)
 - sensor (ADF scan width 3) [4-258](#)
 - sensor (ADF top door interlock) [4-262](#)
 - sensor (FB platen length) [4-263](#)
 - sensor (FB scanner HP) [4-265](#)
 - small platen glass [4-265](#)
 - removals, tray module
 - 3TM left door [4-269](#)
 - sensor (media level) [4-270](#)
 - sensor (media out) [4-270](#)
 - sensor (media present) [4-271](#)
 - sensor (tray module feedout) [4-273](#)
 - sensor (tray module left door interlock) [4-274](#)
 - sensor (TTM media size) [4-276](#)
 - sensor (TTM tray 3 feedout) [4-276](#)
 - sensor (TTM tray 4 feedout) [4-277](#)
 - tray module bottom cover [4-278](#)
 - tray module controller pcba [4-279](#)
 - tray module left cover [4-279](#)
 - tray module lower transport motor [4-280](#)
 - tray module media feeder [4-281](#)
 - tray module rear cover [4-284](#)
 - tray module right cover [4-284](#)
 - tray module top cover [4-285](#)
 - tray module transport rollers [4-286](#)
 - tray module tray 2 media turn guide [4-287](#)
 - tray module upper transport motor [4-287](#)
 - TTM left door [4-288](#)
 - TTM lower transport motor [4-289](#)
 - TTM tray 3 feeder [4-290](#)
 - TTM tray 3 media tray [4-293](#)
 - TTM tray 3 media turn guide [4-294](#)
 - TTM tray 4 media feeder [4-294](#)
 - TTM tray 4 media transport [4-297](#)
 - TTM tray 4 media tray [4-298](#)
 - TTM tray 4 media turn guide [4-299](#)
 - TTM upper transport motor [4-299](#)
 - reports [3-27](#)
 - right eject cover [4-381](#)
- ## S
- safety information [ii-xxvii](#)
 - safety inspection guide [6-1](#)
 - scanner carriage motor [4-236](#)
 - scanner controller PCBA [4-238](#)
 - scanner error codes [2-34](#)

Previous



Next



Go Back

- scanner left cover [4-19](#)
- scanner rear cover [4-20](#)
- scanner removals [4-202](#)
- scanner right cover [4-21](#)
- scanner service checks [2-240](#)
- scanner theory [3-73](#)
- scanner top cover [4-22](#)
- scheduled maintenance [6-4](#)
- SE Menus [3-31](#)
- security reset [3-57](#)
- sensor
 - ADF angle [4-241](#)
 - ADF closed interlock [4-242](#)
 - ADF document set [4-242](#)
 - ADF feed out [4-243](#)
 - ADF inverter [4-244](#)
 - ADF top door interlock [4-262](#)
 - booklet end guide HP [4-383](#)
 - booklet front tamper HP [4-383](#)
 - booklet knife folding [4-384](#)
 - booklet knife HP [4-385](#)
 - booklet media entrance [4-386](#)
 - booklet media exit [4-388](#)
 - booklet rear tamper HP [4-387](#)
 - booklet unit interlock [4-387](#)
 - bridge media entrance [4-312](#)
 - bridge media exit [4-314](#)
 - bridge top door interlock [4-316](#)
 - buffer path [4-389](#)
 - compiler media present [4-390](#)
 - decurler cam HP [4-318](#)
 - decurler cover interlock [4-319](#)
 - diverter gate [4-390](#)
 - FB platen length [4-263](#)
 - FB scanner HP [4-265](#)
 - finisher media entrance [4-391](#)
 - HCF media size L [4-441](#)
 - HCF media size R [4-441](#)
 - HCF media tray set [4-442](#)
 - HCF top door interlock [4-452](#)
 - HCF unit docking interlock [4-451](#)
 - image calibration [4-153](#)
 - lower media exit [4-393](#)
 - media eject clamp HP [4-394](#)
 - media eject shaft HP [4-395](#)
 - media on belt [4-155](#)
 - printer left duplex door interlock [4-160](#)
 - printer right front door interlock [4-162](#)
 - punch carriage shift HP [4-396](#)
 - punch unit motor encoder [4-398](#)
 - punch unit side reg 1 [4-399](#)
 - punch unit side reg 2 [4-399](#)
 - punch waste box set [4-400](#)
 - rear tamper HP [4-392](#)
 - stacker bin level encoder [4-402](#)
 - stacker bin level F [4-401](#)
 - stacker bin level R [4-402](#)
 - stacker bin no media [4-403](#)
 - stapler carriage HP [4-404](#)
 - tray 1 media level [4-270](#)
 - tray 1 media out [4-270](#)
 - tray 1 pre-feed [4-163](#)
 - tray 2 media level [4-270](#)
 - tray 2 media out [4-270](#)
 - tray 3 media level [4-270](#)
 - tray 3 media out [4-270](#)
 - tray 4 media level [4-270](#)
 - tray 4 media out [4-270](#)
 - tray 5 feed out [4-443](#)
 - tray 5 media level [4-453](#)
 - tray 5 media out [4-454](#)
 - tray module feedout [4-273](#)
 - TTM media size [4-276](#)
 - TTM tray 2 feed out [4-273](#)
 - TTM tray 3 feed out [4-273](#)
 - TTM tray 3 feedout [4-276](#)
 - TTM tray 4 feedout [4-277](#)
 - upper media bin full [4-405](#)
 - upper media exit [4-406](#)
- sensor (front tamper HP) [4-392](#)
- sensor (punch hole select) [4-397](#)
- sensor (tray module feed out) [4-273](#)
- sensor (tray module left door interlock) [4-274](#)
- sensor tests
 - ADF/scanner [3-29](#)
 - finisher [3-30](#)
 - printer [3-29](#)
- service checks [2-40](#)
 - 1xx service checks [2-43](#)
 - 2xx service checks [2-89](#)
 - 3xx service checks [2-169](#)
 - 4xx service checks [2-210](#)
 - 8xx service checks [2-240](#)
 - 900.xx System software [2-40](#)
 - 9xx service checks [2-255](#)
- service menus, accessing [3-5](#)
- small platen glass [4-265](#)
- software error codes [2-37](#)
- software service checks [2-255](#)
- specifications
 - connectivity (network) [1-3](#)
 - data streams [1-5](#)
 - dimensions [1-5](#)
 - environmental [1-6](#)
- specifications, media
 - input and output sources [1-7](#)
 - media guidelines [1-12](#)
 - media input size specifications [1-7](#)
 - media input type specifications [1-9](#)
 - supported finishing features [1-10](#)
- specifications, printer
 - clearances [1-5](#)
 - connectivity (network support) [1-3](#)
 - data streams [1-5](#)
 - dimensions [1-5](#)
 - electronics [1-2](#)
 - environment specifications [1-6](#)



MFP **1-2**
 operating modes **1-4**
 stacker media bin **4-410**
 staple test **3-21**
 stapler unit assembly **4-410**
 stapler unit frame **4-412**
 sub LVPS PCBA **4-165**
 sub paddle **4-419**
 suction fan **4-168**
 suction filter **4-170**

T

theory of operations
 1TM **3-123**
 3TM **3-117**
 finisher **3-78**
 HCF **3-129**
 printer **3-58**
 TTM **3-110**
 toner dispense motor **4-170**
 toner smart chip PCB **4-173**
 tools required **1-15**
 transfer belt assembly **4-175**
 transfer belt cleaner **4-178**
 transfer belt lever **4-180**
 transfer roll HPVS PCBA **4-181**
 tray module bottom cover **4-278**
 tray module controller PCBA **4-279**
 tray module left cover **4-279**
 tray module media feeder **4-281**
 tray module rear cover **4-284**
 tray module right cover **4-284**
 tray module top cover **4-285**
 tray module transport roller **4-286**
 tray module tray 2 media turn guide **4-287**
 tray module upper transport motor **4-287**
 TTM left door **4-288**
 TTM paper path **3-111**
 TTM theory **3-110**
 main components **3-114**
 media transport **3-111**
 media tray assembly **3-111**
 TTM media feed units **3-113**
 TTM tray 3 feeder **4-290**
 TTM tray 3 media tray **4-293**
 TTM tray 3 media turn guide **4-294**
 TTM tray 4 media feeder **4-294**
 TTM tray 4 media transport **4-297**
 TTM tray 4 media tray **4-298**
 TTM tray 4 media turn guide **4-299**

U

unacceptable paper **1-13**
 upper exhaust fan **4-184**
 upper media bin **4-422**
 upper media exit roll **4-424**
 upper pinch guide **4-426**
 upper printer engine PCBA **4-187**
 upper redrive assembly **4-189**

upper transport roll **4-427**
 user status messages **2-3**

W

waste toner auger chute **4-194**
 waste toner sensor guide **4-196**
 waste toner shaft gate **4-197**

Y

Y developer carrier **4-46**
 Y toner drop auger **4-199**

Previous



Next



Go Back

Previous



Next



Go Back

Part number index

P/N	Description	Page
40X0271	UK straight power cord	7-118
40X0273	Chile Uruguay power cord	7-119
40X0275	Israel power cord	7-119
40X0288	Argentina power cord	7-118
40X0301	Australia 8ft straight power cord	7-118
40X0303	PRC power cord	7-118
40X0553	Sensor (HCF top door interlock)	7-116
40X0587	Media out actuator	7-29
40X0588	Sensor (lower redrive shift HP)	7-54
40X0588	Tray 1 media level sensor	7-29
40X0588	Tray 1 media out sensor	7-29
40X0588	Tray 2 media level sensor	7-29
40X0588	Tray 2 media out sensor	7-29
40X0588	Tray 3 media level sensor	7-29
40X0588	Tray 3 media out sensor	7-29
40X0588	Tray 4 media level sensor	7-29
40X0588	Tray 4 media out sensor	7-29
40X0589	Tray 1 pre-feed sensor	7-29
40X0727	Sensor (TTM tray 4 feedout)	7-37
40X0739	Senser (HCF media tray set)	7-107
40X0741	Caster	7-107
40X0741	HCF caster	7-117
40X0745	HCF docking bracket kit	7-107
40X0749	HCF media long-edge guide kit	7-108
40X0750	HCF rear media guide kit	7-109
40X0751	HCF front media guide kit	7-109
40X0752	HCF separation pad	7-109
40X0753	HCF media tray lift gear bracket	7-111
40X0754	HCF media tray lift shaft kit	7-111
40X0756	HCF lift cable large pulley kit	7-111
40X0757	HCF lift cable kit	7-111
40X0759	HCF feed lift motor	7-113
40X0760	HCF feed lift gear bracket	7-113
40X0761	HCF separation drive gear kit	7-113
40X0763	HCF media tray lift coupling kit	7-113
40X0764	HCF feed unit latch kit	7-115
40X0765	HCF pick roller idler gear	7-115
40X0766	HCF feed unit cable assembly	7-115
40X0767	HCF media out actuator	7-115
40X0768	Sensor (tray 5 media level)	7-115
40X0768	Sensor (tray 5 media out)	7-115
40X0769	HCF pick roll shaft kit	7-115
40X0770	HCF feed unit roller kit	7-115
40X0771	HCF separation roller shaft assembly	7-113
40X0774	Sensor (tray 5 feed out)	7-116
40X0775	HCF media transport roller kit	7-116
40X0776	HCF transport motor	7-116, 7-117
40X0777	Sensor (HCF unit docking interlock)	7-116, 7-117
40X0779	HCF main cable	7-117
40X0824	Magnetic catch	7-68, 7-77
40X0825	Sensor (booklet end guide HP)	7-89
40X0825	Sensor (booklet front tamper HP)	7-91
40X0825	Sensor (booklet knife folding)	7-90
40X0825	Sensor (booklet knife HP)	7-90

Previous



Next



Go Back

40X0825	Sensor (booklet rear tamper HP)	7-91
40X0825	Sensor (decurler cam HP)	7-69
40X0825	Sensor (decurler cover interlock)	7-69
40X0825	Sensor (media eject clamp HP)	7-78
40X0825	Sensor (media eject shaft HP)	7-78
40X0840	Sensor (finisher front door interlock)	7-71
40X0849	Stacker slip clutch pulley kit	7-73
40X0850	Sensor (stacker bin level encoder)	7-73
40X0852	Bearing	7-73
40X0854	Punch carriage shift motor	7-75
40X0855	Punch carriage	7-75
40X0857	2/3 Punch hammer sub-assembly	7-75
40X0858	2/4 Punch hammer sub-assembly	7-75
40X0859	Punch unit stopper	7-75
40X0861	Media bail (standard bin)	7-54
40X0862	Punch waste box	7-75
40X0866	Staple cartridge	7-76
40X0867	Stapler unit assembly	7-76
40X0872	Stapler carriage rack gear	7-76
40X0874	Sub paddle	7-77
40X0877	Eject clamp lever assembly	7-77
40X0880	Bushing	7-68
40X0880	Plastic bushing	7-26, 7-68
40X0882	Eject cover interlock switch	7-77
40X0888	Bushing	7-77, 7-78, 7-79, 7-82, 7-83
40X0889	Media eject gear	7-78
40X0893	Sensor (buffer path)	7-81
40X0893	Sensor (lower media exit)	7-79
40X0893	Sensor (upper media exit)	7-80
40X0894	Static eliminator brush	7-79
40X0895	Lower media exit roll	7-79
40X0898	Lower exit roll drive pulley kit	7-79
40X0900	Main paddle drive pulley/gear 44/20T	7-79
40X0905	Buffer roll	7-81
40X0908	Sensor (finisher media entrance)	7-81
40X0908	Sensor (upper media bin full)	7-80
40X0909	Finisher media entrance roll	7-81
40X0910	Stepper motor	7-81, 7-83
40X0911	Belt entrance/paddle 31.6 cm	7-82
40X0912	Belt idler pulley	7-82
40X0913	Ball bearing 6 mm	7-82, 7-113
40X0913	Ball bearing 6mm	7-79
40X0914	Media entrance roll drive pulley 20T	7-82
40X0915	Buffer roll drive gear 46T	7-82
40X0918	Upper media exit pinch roll	7-67
40X0921	Sensor (booklet media entrance)	7-90, 7-93
40X0921	Sensor (booklet media exit)	7-93
40X0921	Sensor (diverter gate)	7-83
40X0924	Buffer roll drive pulley/gear 53/23T	7-83
40X0925	Upper media transport roll drive pulley 20T	7-83
40X0926	Upper media transport roll drive pulley/gear 20/20T	7-80
40X0927	Upper media exit roll drive gear 20T	7-80
40X0928	Belt (buffer/transport) 19.8 cm	7-83
40X0929	Belt (exit) 27.7 cm	7-83
40X0933	Bridge interface card cable	7-84
40X0935	Finisher power cable	7-84
40X1367	10-Foot parallel printer cable	7-118
40X1368	2-meter USB printer cable	7-118
40X1388	Bearing	7-69, 7-78

Previous



Next



Go Back

40X1388	Bushing	7-70
40X1772	Switzerland power cord	7-119
40X1773	South Africa power cord	7-119
40X1791	Taiwan power cord	7-118
40X1792	Korea power cord	7-118
40X2214	Small platen glass	7-3
40X2217	Screw	7-7
40X2223	Sensor (ADF angle)	7-4
40X2226	Scanner drive belt	7-5
40X2232	Number 2/3 mirror	7-6
40X2234	Number 1 mirror	7-6
40X2238	Mounting screw	7-107
40X2348	Spring	7-99
40X3141	Spain 8ft straight power cord	7-119
40X3609	Japan power cord	7-118
40X3688	Sensor (TTM tray 3 feed out)	7-39
40X3703	Sensor (media on belt)	7-52
40X3820	Waste toner bottle present sensor	7-26
40X3868	Scanner carriage motor	7-5
40X3892	Sensor (document tray length 1)	7-102
40X3892	Sensor (document tray length 2)	7-102
40X3905	Sensor (punch unit side reg 1)	7-75
40X3905	Sensor (punch unit side reg 2)	7-75
40X3915	Bearing	7-33, 7-39
40X3917	Sensor flag	7-69
40X3932	Finisher dock plate	7-71
40X3937	2-hole punch unit frame	7-75
40X3943	Punch unit motor	7-75
40X3959	Gear (23T)	7-79
40X3962	Torque limiter	7-68
40X3963	Retainer	7-68
40X3969	Bridge PCBA	7-84
40X3970	Bridge unit connect cable assembly	7-84
40X3987	Booklet bin hookup cable assembly	7-87
40X3988	Booklet unit catch	7-87
40X3993	Gear pulley 40/20T	7-89
40X3994	Booklet end guide drive belt	7-89
40X3999	Booklet knife sector drive gear 42T	7-90
40X4004	Gear pulley 20/25T	7-92
40X4005	Booklet exit roll drive belt	7-92
40X4006	Gear 16T	7-92
40X4007	Booklet folding roll drive gear 38/18T	7-92
40X4008	Gear 18T	7-92
40X4010	Gear 37T	7-92
40X4011	Booklet media exit pinch roller	7-93
40X4015	Booklet gear 45T	7-94
40X4017	Booklet gear 16/44T	7-94
40X4019	Booklet gear 27/34T	7-94
40X4020	Spring	7-94
40X4024	Gear 18/39T	7-94
40X4040	Finisher front lift carriage assembly	7-73
40X4043	Finisher rear lift carriage assembly	7-73
40X4050	Stapler carriage	7-76
40X4062	Media eject clamp clutch	7-78
40X4066	Gear (23T)	7-79
40X4070	Link	7-82
40X4083	Link	7-82
40X4106	Main paddle shaft drive pulley 17T	7-79
40X4120	Sub paddle solenoid	7-77

Previous



Next



Go Back

40X4128	Belt idler pulley	7-68
40X4128	Idler pulley	7-79
40X4147	Spring	7-77
40X4149	Buffer diverter gate	7-81
40X4405	Adjustable caster	7-72
40X4412	Finisher interface cable	7-84
40X4596	Brazil power cord	7-119
40X4602	Card reader assembly (3121 contact)	7-9
40X4603	Card reader assembly (5121 contact/RFID)	7-9
40X4604	Card reader assembly (5125 contact/HID)	7-9
40X4819	RS-232C serial interface card	7-118
40X4823	Parallel 1284-B interface card	7-118
40X4826	MarkNet N8120 gigabit ethernet print server	7-118
40X4827	MarkNet N8130 fiber ethernet print server	7-118
40X5301	256MB memory option	7-118
40X5302	512MB memory option	7-118
40X5303	1GB memory option	7-118
40X5704	256MB flash memory	7-118
40X5969	Korean font card	7-118
40X5970	Simplified Chinese font card	7-118
40X5971	Traditional Chinese font card	7-118
40X5972	Japanese font card	7-118
40X6092	Scanner left cover	7-2
40X6111	Bridge one way gear	7-69
40X6306	UICC to display cable	7-119
40X6307	MFP touch screen PCBA	7-10
40X6337	Arabic font card	7-118
40X6550	Scanner right cover	7-2
40X6551	Scanner top cover	7-2
40X6552	Scanner rear cover	7-2
40X6553	Scanner blind cover	7-2
40X6554	Flatbed scanner assembly	7-2, 7-95
40X6555	Sensor (FB platen length) assembly	7-4
40X6556	FB CCD sensor assembly	7-4
40X6557	Rear scanner ribbon cable	7-4
40X6558	ADF angle actuator	7-4
40X6559	Spring	7-5
40X6560	Sensor (FB scanner HP)	7-5
40X6561	Mirror retainer clip	7-6
40X6562	Exposure lamp flat cable	7-6
40X6563	LED exposure bar	7-6
40X6564	Authentication PCBA	7-4
40X6565	Printhead rear block	7-11
40X6566	LED printhead	7-11
40X6567	Printhead retract door	7-11
40X6568	Printhead flat data cable	7-12
40X6569	Printhead interface contact	7-12
40X6570	Fuser drive release bracket	7-13
40X6571	Spring	7-13
40X6572	Fuser drive release link	7-13
40X6573	Fuser release link spring	7-13
40X6574	Fuser drive/lower redrive/1st BTR retract motor	7-13
40X6575	Gear 40T/23T & belt	7-13
40X6577	Large platen glass	7-3
40X6583	1TM/TTM/3TM caster screw	7-35, 7-45, 7-49
40X6584	1st transfer retract clutch assembly	7-14
40X6585	Registration drive motor	7-14
40X6586	PC/developer drive motor assembly	7-15
40X6587	Coupler	7-15



40X6588	Fuser cooling fan	7-16
40X6589	LVPS sub cooling fan	7-16
40X6590	Fuser fan duct	7-16
40X6591	Fuser driver PCBA cooling fan	7-16
40X6592	Large platen retainer	7-3
40X6593	Front upper cooling fan	7-17
40X6594	Front left cooling fan	7-17
40X6595	Front right cooling fan	7-17
40X6596	PC/developer drive motor cooling fan	7-18
40X6597	Charge roll HVPS cooling fan	7-18
40X6598	Upper exhaust fan	7-18
40X6599	Suction filter	7-18
40X6600	Center exhaust fan	7-18
40X6601	Toner dispense motor	7-19
40X6602	Toner smart chip PCB	7-19
40X6603	Y toner drop auger	7-19
40X6604	M toner drop auger	7-19
40X6605	C toner drop auger	7-19
40X6606	K toner drop auger	7-19
40X6607	CMYK toner dispense auger assembly	7-19
40X6608	Developer bracket	7-20
40X6609	K developer carrier	7-20
40X6610	C developer carrier	7-20
40X6611	M developer carrier	7-20
40X6612	Y developer carrier	7-20
40X6613	ATC sensor PCB	7-20
40X6614	ATC sensor PCB bracket	7-20
40X6615	Developer housing	7-20
40X6619	Developer HVPS PCBA	7-21
40X6620	Front transfer belt retaining bracket	7-22
40X6621	Rear transfer belt retaining bracket	7-22
40X6622	Transfer belt lever	7-22
40X6623	Transfer belt cleaner	7-22
40X6624	Transfer belt assembly	7-22
40X6625	Front transfer belt guide	7-23
40X6626	Belt removal actuator	7-23
40X6627	Rear transfer belt guide	7-23
40X6628	Transfer roll HVPS PCBA	7-23
40X6629	Fuser assembly 110V	7-24
40X6630	Fuser assembly 220V	7-24
40X6631	Fuser pressure roll retract motor	7-24
40X6632	Fuser pressure roll retract gear	7-24
40X6633	PC smart chip holder	7-25
40X6634	PC smart chip cover	7-25
40X6635	PC smart chip socket	7-25
40X6636	Erase lamp	7-25
40X6637	Inner plate	7-25
40X6638	Belt lever lock	7-25
40X6639	Belt lock bracket	7-25
40X6640	Torsion spring	7-25
40X6641	Plate spring	7-25
40X6642	Waste toner auger chute	7-26
40X6643	Waste toner agitator motor	7-26
40X6644	Waste toner gear bracket	7-26
40X6645	Waste toner gear 29T	7-26
40X6646	Waste toner gear 31T	7-26
40X6647	Waste toner shaft gate	7-26
40X6648	Actuator gear	7-26
40X6649	Motor cover	7-26

Previous



Next



Go Back

40X6650	Waste toner sensor guide	7-26
40X6651	Media tray stop	7-27
40X6652	Media tray left roller	7-27
40X6653	Media tray right roller	7-27
40X6654	Printer media tray # 1	7-27
40X6655	Media tray compartment cover	7-27
40X6656	Printer tray 1 media feeder	7-28
40X6657	Printer media turn guide	7-28
40X6658	Media feed lift motor	7-29
40X6659	Feeder slide guide	7-29
40X6660	Separation limiter clutch	7-30
40X6661	Separation spacer	7-30
40X6662	3TM/TTM media feeder	7-39
40X6662	Tray module media feeder	7-31
40X6663	1TM/3TM/TTM media turn guide	7-39
40X6663	Tray module tray 2 media turn guide	7-31
40X6664	Non-adjusting caster	7-72
40X6665	Tray module media tray	7-31, 7-36
40X6667	1TM/3TM/TTM controller PCBA	7-44, 7-47
40X6667	Tray module controller PCBA	7-32
40X6668	3TM 34T gear	7-32, 7-47
40X6669	3TM/TTM 39T gear	7-32
40X6670	Tray module lower transport motor	7-32
40X6671	3TM sensor cable	7-32
40X6672	3TM motor cable	7-32
40X6673	3TM interface cable	7-32
40X6674	Tray module upper transport motor	7-32, 7-47
40X6675	Sensor tray (module feed out)	7-33
40X6677	Tray module transport roller	7-33, 7-39
40X6678	3TM left door	7-34
40X6680	1TM/TTM/3TM adjuster foot	7-35, 7-45, 7-49
40X6681	1TM/TTM/3TM foot side cover	7-35, 7-45, 7-49
40X6682	1TM/TTM/3TM foot rear cover	7-35, 7-45, 7-49
40X6683	Docking screw	7-35, 7-45, 7-49
40X6684	1TM/TTM/3TM docking bracket	7-35, 7-45, 7-49
40X6685	1TM/TTM/3TM locking caster	7-35, 7-45, 7-49
40X6686	1TM/TTM/3TM non-locking caster	7-35, 7-45, 7-49
40X6687	Tray module rear cover	7-35, 7-45, 7-49
40X6688	Tray module top cover	7-35, 7-45, 7-49
40X6689	Tray module bottom cover	7-35, 7-49
40X6690	Tray module left cover	7-35, 7-45, 7-49
40X6691	Tray module right cover	7-35, 7-45, 7-49
40X6693	TTM tray 4 media tray cover	7-36
40X6694	TTM tray 3 media tray	7-36
40X6695	TTM tray 3 media tray cover	7-36
40X6696	TTM tray 4 media feeder	7-37
40X6697	TTM tray 4 media transport	7-37
40X6698	TTM tray 4 media tray	7-36
40X6699	TTM tray 3 media turn guide	7-39
40X6700	Sensor (tray module left door interlock)	7-34, 7-40
40X6701	Tray module left door sensor cable	7-34, 7-40
40X6702	TTM left door	7-40
40X6703	TTM lower transport motor	7-43
40X6704	TTM upper transport motor	7-43
40X6707	MPF tray feeder	7-50
40X6708	MPF top cover	7-50
40X6709	MPF media present actuator	7-50
40X6710	Sensor (printer left duplex door interlock)	7-51
40X6710	Sensor (printer right front door interlock)	7-59



40X6711	Small platen rear retainer	7-3
40X6712	2nd transfer roller	7-52
40X6713	Registration 40T gear	7-53
40X6714	Front bushing	7-53
40X6715	Registration/transport roller assembly	7-53
40X6716	Media transport/MPF drive motor	7-53
40X6717	Rear bushing	7-53
40X6718	Transport 29T gear	7-53
40X6719	Transport 60T gear	7-53
40X6720	Lower redrive 19T gear	7-54
40X6721	Lower redrive front bushing	7-54
40X6722	Media bail (upper internal bin)	7-54
40X6723	Upper redrive assembly	7-54
40X6724	Lower redrive guard	7-54
40X6725	Lower redrive shift motor assembly	7-55
40X6727	Small platen front retainer	7-3
40X6728	Controller cooling fan	7-57
40X6729	Suction fan	7-57
40X6730	Upper printer engine PCBA	7-57
40X6731	Lower engine PCBA	7-57
40X6732	HCF interface contact	7-57
40X6733	Suction fan duct	7-57
40X6734	Main power GFI interface 110V	7-58
40X6735	Fuser driver PCBA 110V	7-58
40X6736	Fuser power contact 110V	7-58
40X6737	Sub LVPS PCBA	7-58
40X6738	Main power switch	7-59
40X6739	LVPS front fan guide	7-59
40X6740	Sensor (Image calibration)	7-59
40X6761	Front door sensor	7-59
40X6762	LVPS PCBA	7-59
40X6763	Charge roll HVPS PCBA	7-60
40X6764	Base left wiring cable	7-61
40X6765	Base right wiring cable	7-61
40X6766	Base wiring top cable	7-61
40X6767	Base wiring bottom cable	7-61
40X6768	Sensor (ADF closed interlock)	7-4
40X6770	LVPS sub cooling duct	7-16
40X6771	Rear center duct	7-18
40X6772	Standard bin insert	7-63
40X6773	Feeder unit slide rail	7-29
40X6774	Printer top cover	7-63
40X6775	Left rear upper cover (MFP)	7-63
40X6776	Left rear lower cover	7-63
40X6777	Left upper cover (MFP)	7-63
40X6779	Internal top cover (MFP)	7-63
40X6780	Internal rear cover (MFP)	7-63
40X6781	Printer right cover	7-64
40X6782	Right rear cover (MFP)	7-64
40X6783	Rear upper cover (MFP)	7-64
40X6784	Filter cover (MFP)	7-64
40X6785	Input tray interface cover	7-64
40X6786	Controller box cover (MFP)	7-64
40X6787	Cable interface door	7-64
40X6789	HCF media tray assembly	7-107
40X6790	HCF pick roller raise lever	7-113
40X6791	HCF controller card PCBA	7-117
40X6792	HCF rack gear	7-117
40X6793	HCF sliding damper	7-117

Previous



Next



Go Back

40X6794	ADF platen pad	7-95
40X6795	Automatic document feeder assembly	7-95
40X6796	ADF main drive sub assembly	7-96
40X6797	ADF rear cover	7-96
40X6798	ADF front cover	7-96
40X6799	ADF interface cable	7-96
40X6800	ADF controller PCBA	7-96
40X6801	ADF media stop	7-96
40X6802	ADF left hinge	7-98
40X6803	ADF right hinge	7-98
40X6804	ADF scan pad	7-98
40X6805	Pick roller kit	7-30
40X6806	ADF document tray	7-97
40X6807	ADF top door	7-97
40X6808	ADF left door retainer	7-97
40X6809	Sensor (ADF top door interlock)	7-99
40X6810	ADF feed motor	7-99
40X6811	ADF registration motor	7-99
40X6812	ADF feed motor spring	7-99
40X6813	ADF sensor 1 cable	7-99
40X6814	ADF motor cable	7-99
40X6815	ADF sensor 2 cable	7-99
40X6816	ADF diverter gate solenoid	7-100
40X6817	ADF nip release solenoid	7-100
40X6818	Spring	7-100
40X6819	ADF LED PCB	7-103
40X6820	ADF registration turn guide	7-104
40X6821	ADF separation roller guide	7-104
40X6822	ADF sensor actuator guide	7-104
40X6823	ADF left door inner cover	7-105
40X6824	ADF feed/pick roller assembly	7-105
40X6825	Spring	7-105
40X6826	Bridge unit	7-65
40X6827	Clutch knob	7-65
40X6828	Bridge entry guide	7-66
40X6829	Bridge media exit transport	7-65
40X6830	Bridge unit small belt	7-65
40X6831	Bridge front cover	7-65
40X6832	Bridge rear cover	7-66
40X6833	Bridge decurler rear cover	7-65
40X6834	TTM tray 4 feeder lower guide	7-37
40X6835	Bridge decurler right cover	7-65
40X6836	Bridge decurler top cover	7-65
40X6837	Bridge interface cable	7-65
40X6838	Bridge top door assembly	7-65
40X6839	Bridge unit top door spring	7-67
40X6840	Bridge idler pulley	7-68
40X6841	Bridge drive pulley	7-68
40X6842	Bridge drive pulley	7-68
40X6843	Sensor (bridge media entrance)	7-68
40X6844	Bridge tension bracket	7-68
40X6845	Recoil spring	7-68
40X6847	Bridge decurler cam	7-69
40X6848	Bridge decurler cam clutch	7-69
40X6849	Bridge knob gear 18T	7-69
40X6850	Bridge gear 18T	7-69
40X6851	Bridge gear 16T	7-69
40X6852	Bridge gear 36T/18T	7-70
40X6853	Bridge decurler arm	7-70

Previous



Next



Go Back

40X6854	Bridge decurler roll	7-70
40X6855	Sensor (bridge media exit)	7-70
40X6856	Bridge gear 16T	7-70
40X6857	Bridge gear 18T/36T	7-70
40X6858	Bridge gear 24T/20T	7-70
40X6859	Bridge gear 27T/18T	7-70
40X6860	Bridge drive motor	7-70
40X6862	Finisher top cover	7-72
40X6864	Finisher rear upper cover	7-72
40X6865	3-hole punch unit frame	7-75
40X6867	Stapler harness	7-76
40X6868	Gear 23T	7-77
40X6869	Cam pulley	7-77
40X6870	Drive pulley	7-77
40X6871	TTM tray 4 feeder upper guide	7-37
40X6875	Buffer pinch guide assembly	7-81
40X6880	Eject shaft roll	7-78
40X6881	Eject shaft paddle	7-78
40X6883	TTM tray 4 feeder sensor cable	7-37
40X6884	Eject shaft actuator	7-78
40X6885	Eject shaft roll motor	7-78
40X6886	Media compiler guide	7-78
40X6887	Main paddle shaft	7-79
40X6890	Lower exit pinch roll	7-79
40X6891	Upper media exit roll	7-80
40X6892	Upper exit sensor cable	7-80
40X6893	Left upper exit nip roll	7-80
40X6894	Right upper exit nip roll	7-80
40X6895	Media entrance pinch guide	7-81
40X6896	TTM tray 4 feeder motor cable	7-37
40X6897	Diverter solenoid	7-82
40X6898	Buffer solenoid	7-82
40X6899	Booklet path roll	7-86
40X6900	Upper pinch guide	7-83
40X6901	Upper transport roll	7-83
40X6902	Finisher controller PCBA	7-84
40X6904	Finisher AC filter PCBA	7-84
40X6905	Finisher sensor cable	7-85
40X6906	Finisher motor cable	7-85
40X6907	Punch drive motor	7-85
40X6908	Punch sensor cable	7-85
40X6909	Interlock cable	7-85
40X6910	Booklet output tray	7-87
40X6911	Booklet controller power cable	7-87
40X6912	Booklet diverter cable	7-87
40X6913	Booklet unit cable	7-87
40X6914	Booklet unit interface contact	7-87
40X6915	Booklet unit chassis	7-87
40X6916	Booklet gear 31T	7-88
40X6917	Booklet paddle roll	7-89
40X6963	CAC card reader	7-119
40X6964	Small CAC card reader case	7-119
40X6965	Large CAC card reader case	7-119
40X6973	MFP Operator panel PCBA	7-10
40X6985	X950 Model bezel	7-8
40X6986	Operator panel (MFP)	7-8
40X6987	Operator panel front cover (MFP)	7-8
40X6988	Operator panel left cover (MFP)	7-8
40X6989	Operator panel right cover (MFP)	7-8

Previous



Next



Go Back

40X6993	Operator panel speaker	7-9
40X6999	Operator panel top cover (MFP)	7-10
40X7051	PrintCryption card assembly	7-118
40X7055	Fax card	7-118
40X7058	160GB hard drive	7-118
40X7062	MarkNet N8250 802.11b/g/n wireless print server (US/Americas)	7-118
40X7063	MarkNet N8250 802.11b/g/n wireless print server (rest of the world)	7-118
40X7064	X954 Model bezel	7-8
40X7097	Operator panel housing (MFP)	7-9
40X7098	Smart card housing (MFP)	7-9
40X7099	Smart card cover (MFP)	7-9
40X7104	USA power cord	7-118
40X7331	MFP operator panel cable kit	7-9
40X7332	Developer housing rear plunger	7-20
40X7333	1st transfer conductor housing	7-23
40X7334	Sensor (tray module feed out)	7-39
40X7336	TTM tray 3 feed-out actuator	7-39
40X7337	TTM actuator spring	7-39
40X7338	TTM tray 3 feed out sensor cable	7-39
40X7339	Stapler transport motor	7-76
40X7340	TTM tray 3 feeder	7-39
40X7341	TTM tray 4 media turn guide	7-39
40X7342	TTM tray spacer	7-41
40X7343	TTM tray 3/4 tray roller	7-41
40X7344	TTM tray side roller	7-41
40X7345	TTM upper stopper	7-41
40X7346	TTM tray 3 lock	7-41
40X7347	TTM tray 4 lock	7-41
40X7348	TTM tray 3/4 stopper	7-41
40X7349	Sensor (TTM media size)	7-42
40X7350	TTM gear 17T/50T	7-42
40X7351	TTM gear 16T/48T	7-42
40X7352	TTM gear 57T	7-42
40X7353	Coupler	7-42
40X7354	TTM gear 51T	7-42
40X7355	TTM gear 52T	7-43
40X7356	TTM drive flange	7-43
40X7357	TTM drive gear	7-43
40X7358	TTM idler pulley	7-43
40X7359	TTM drive belt	7-43
40X7360	Spring	7-43
40X7361	TTM tension bracket	7-43
40X7362	Paddle shaft	7-77
40X7363	TTM tray 4 drive gear	7-43
40X7364	TTM sensor cable	7-44
40X7365	TTM motor cable	7-44
40X7366	TTM interface cable	7-44
40X7367	1TM front cover	7-46
40X7368	1TTM sensor cable	7-47
40X7369	1TM motor cable	7-47
40X7370	1TM interface cable	7-47
40X7371	1TM left door	7-48
40X7372	Printer left duplex door assembly	7-51
40X7373	Plastic motor cover	7-54
40X7374	Main power GFI interface 220V	7-58
40X7375	Fuser driver PCBA 220V	7-58
40X7376	Fuser power contact 220V	7-58
40X7377	Magnetic catch	7-62
40X7378	Printer front door support strap	7-62



40X7379	Printer front door	7-62
40X7381	Inner cover	7-62
40X7387	EPSV cover	7-64
40X7394	HCF top cover	7-107
40X7395	HCF inner front cover	7-107
40X7396	HCF left cover	7-107
40X7397	HCF rear cover	7-107
40X7398	HCF tray 5 feeder assembly	7-107
40X7399	HCF media tray front cover	7-108
40X7400	ADF nip release lever	7-100
40X7401	ADF document set solenoid	7-100
40X7402	ADF nip release link	7-100
40X7403	Sensor (ADF document set)	7-100
40X7403	Sensor (ADF document tray width 1)	7-102
40X7403	Sensor (ADF document tray width 2)	7-102
40X7403	Sensor (ADF document tray width 3)	7-102
40X7403	Sensor (ADF feed out)	7-100
40X7403	Sensor (ADF pre registration)	7-101
40X7403	Sensor (ADF registration)	7-101
40X7403	Sensor (ADF scan width 1)	7-101
40X7403	Sensor (ADF scan width 2)	7-101
40X7403	Sensor (ADF scan width 3)	7-101
40X7404	Bridge unit base assembly	7-66
40X7405	Connector cover	7-65, 7-72
40X7408	Bridge large drive belt	7-68
40X7409	Power switch cover	7-68
40X7410	Bridge drive retainer	7-70
40X7412	Bridge lower drive belt	7-70
40X7413	Bridge upper drive belt	7-70
40X7414	Upper media bin front cover	7-71
40X7415	Finisher front door assembly	7-71
40X7416	Right eject cover	7-72
40X7417	Finisher bottom cover	7-72
40X7418	Finisher rear lower cover	7-72
40X7420	Finisher left upper cover	7-72
40X7421	Sensor (stacker bin level F)	7-73
40X7421	Sensor (stacker bin level R)	7-73
40X7422	Punch unit main cable	7-75
40X7423	Stapler unit cover	7-76
40X7424	Media eject unit frame	7-77
40X7425	Clamp drive belt	7-77
40X7426	Clamp drive motor	7-77
40X7427	Lower exit sensor cable	7-79
40X7428	Upper bin full sensor cable	7-80
40X7429	Finisher upper bin vertical cover	7-80
40X7430	Buffer path sensor cable	7-81
40X7431	Finisher LVPS cable	7-84
40X7432	Booklet front drive belt	7-88
40X7433	Booklet front tamper guide	7-91
40X7434	Booklet rear tamper guide	7-91
40X7435	Booklet entrance drive pulley	7-93
40X7436	Booklet front pulley	7-93
40X7438	Sensor (punch unit motor encoder)	7-75
40X7440	HCF top door rear spring	7-116
40X7450	HCF top door front spring	7-116
40X7458	Operator panel front cover with slot (MFP)	7-8
40X7461	Rubber screw caps	7-2
40X7463	Speaker holder	7-9
40X7464	Bridge PCBA (MFP)	7-57

Previous



Next



Go Back

40X7465	Stacker media bin	7-72
40X7468	Scanner interface cable	7-56
40X7470	Spring	7-71
40X7471	HCF top door	7-116
40X7472	Lower redrive shaft assembly	7-55
40X7474	Finisher docking bracket	7-71
40X7475	Finisher grounding plate	7-71
40X7476	Upper media bin	7-72
40X7477	Stacker bin lift motor	7-73
40X7478	Finisher entrance sensor cable	7-81
40X7479	Booklet diverter gate	7-86
40X7480	Diverter gate sensor cable	7-83
40X7481	Booklet controller card assembly	7-87
40X7482	Booklet right glide	7-87
40X7483	Booklet left glide	7-87
40X7484	Belt flange	7-88
40X7485	Booklet knob	7-88
40X7486	Booklet stapler unit assembly	7-88
40X7488	Pulley	7-88
40X7489	Booklet end guide drive motor	7-89
40X7490	Booklet paddle drive motor assembly	7-89
40X7491	Booklet knife HP sensor cable assembly	7-90
40X7492	Booklet front tamper motor	7-91
40X7492	Booklet rear tamper motor	7-91
40X7494	Media exit sensor cable assembly	7-93
40X7497	Booklet fold solenoid	7-94
40X7498	Booklet stapler interface cable assembly	7-94
40X7499	Booklet motor interface cable assembly	7-94
40X7500	RIP card PCBA (MFP)	7-57
40X7501	Booklet sensor interface cable assembly	7-94
40X7509	PRESCRIBE card assembly (Lexmark X95x)	7-118
40X7515	Bar code card assembly (Lexmark X95x)	7-118
40X7519	Booklet pinch guide	7-86
40X7521	Finisher LVPS PCBA	7-84
40X7522	Finisher diverter gate	7-82
40X7523	Gear (16T)	7-93
40X7523	Gear 16T	7-92
40X7524	Booklet rear gear bracket	7-94
40X7530	200K maintenance ADF kit	7-118
40X7531	Front scanner ribbon	7-4
40X7532	Fuser assembly 100V	7-24
40X7533	Media size switch PCB	7-27, 7-31, 7-42
40X7534	MPF roller kit	7-50
40X7535	Rear lower cover	7-64
40X7536	4-hole punch unit frame	7-75
40X7537	Punch waste box bottle	7-75
40X7538	Lower pinch guide roller	7-81
40X7540	160K maintenance kit	7-118
40X7550	320K maintenance kit (110V)	7-118
40X7559	Scanner controller PCBA	7-7
40X7560	480K maintenance kit	7-118
40X7561	Complete stapler	7-76
40X7565	Booklet media pinch roll assembly	7-93
40X7568	320K maintenance kit (100V)	7-118
40X7569	320K maintenance kit (220V)	7-118
40X7746	Knob	7-77
40X7764	Upper internal bin	7-63

Previous



Next



Go Back